

The print-out is not subject to the modification service.

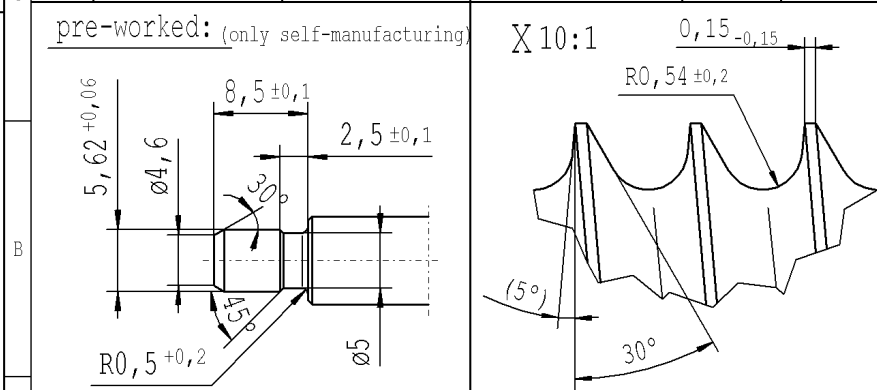
Intended for internal and supplier use

EN

Brevet.datum: 14/09/2021 - 12:16

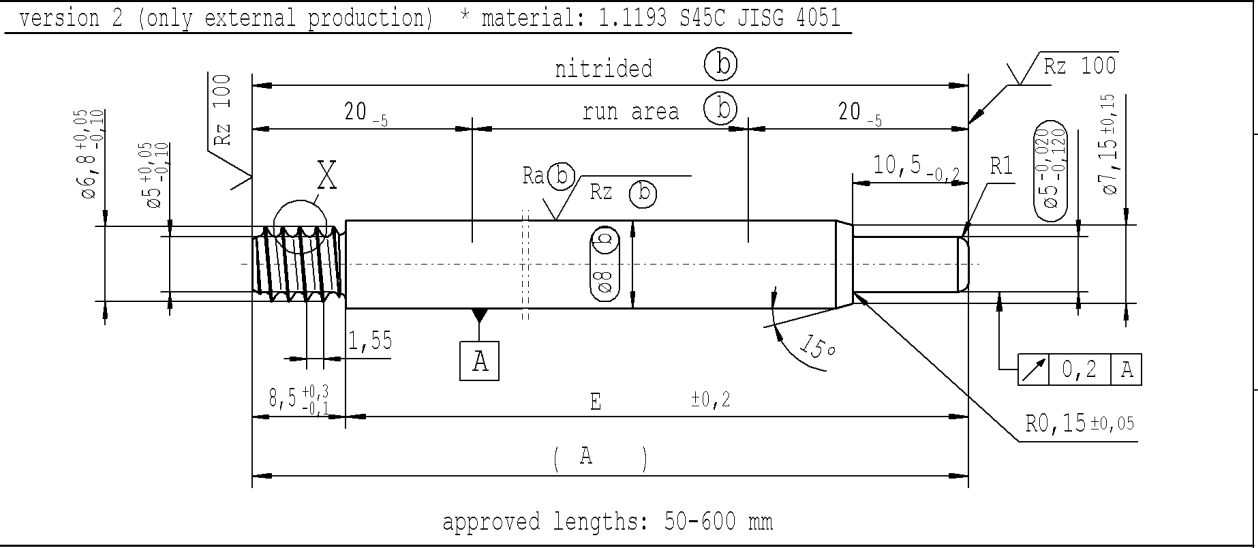
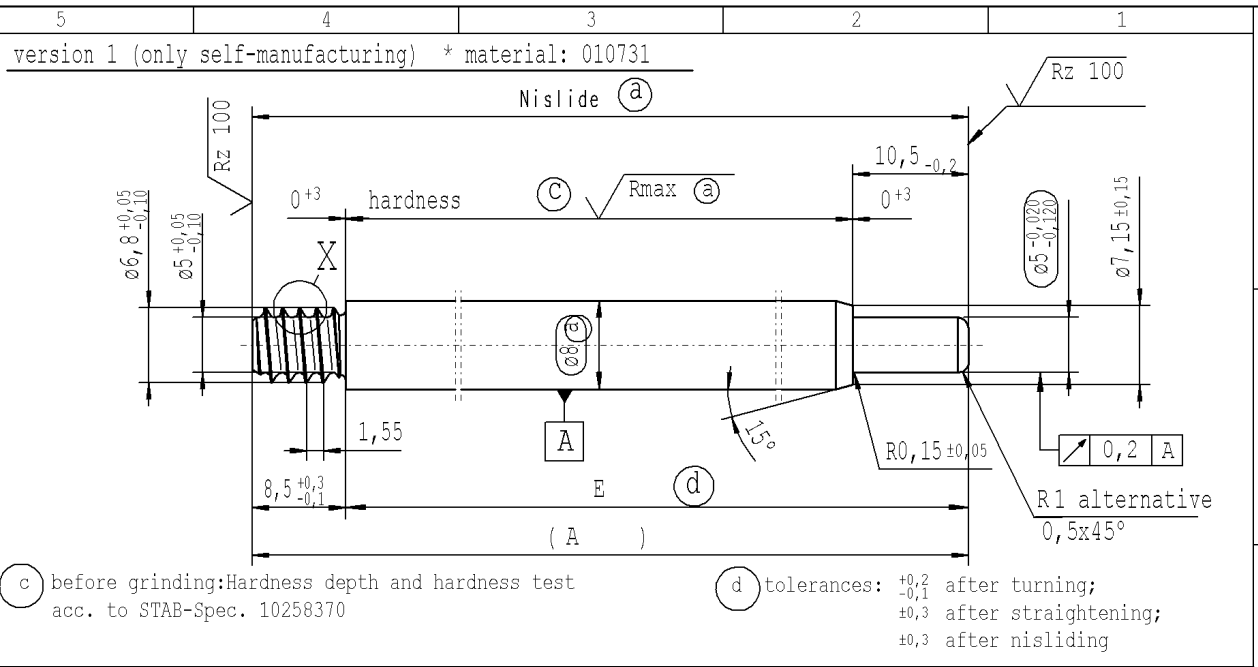
Ident. Doc.:

supp No.	material no.			A	E
	10006248 Tab. XVI optimized version 1	10006248 Tab. X version 1	10028959 Tab. I version 2	overall length	length without unfitting stud
107		034886	034886	183.5	175.0
108	034809	034809	034809	241.0	232.5
109	034752	034752	034752	230.0	221.5
110	034634	034634	034634	281.5	273.0
111	034589	034589	034589	132.0	123.5
112	033131	033131	033131	160.0	151.5
113	389604	389604	389604	204.0	195.5
114		449115	449115	336.5	328.0
115		452461	452461	325.0	316.5
116	685247	685247	685247	343.5	335.0
118	239240	239240	239240	255.0	246.5
119	097513	097513	097513	256.5	248.0
120	142206	142206	142206	111.5	103.0
121	872590	872590	872590	261	252.5
124	943812	943812	943812	316.0	307.5
125	944290	944290	944290	309.0	300.5
126	977511	977511	977511	351.5	343.0
127	168497	168497	168497	214.5	206.0
128		204586	204586	264.5	256.0



pre-worked: (only self-manufacturing) X 10:1

DE: X	EN: X	ES:	IT:	PR: X	FR:	RO: X	CAD created document; handwritten changes not permitted	Material: *	All dimensions are in mm	Marking of special characteristics according to STAB-Spec. 10270932	Date	Name
new	(5°); no technical change, no new first sample required		Tab XVI; no technical change, no new first sample required								12.08.2021	Höfer
old	5°		Tab IV;								12.08.2021	Milles
Field	B/6-7		F 8									
Date/Name	31.03.2021 Hein		12.08.2021 Donat									
Chg. No.	696924		699704									
Rev.	21		21									



√ Rz 25 (√ Rz 100 √ Rmax (a) Ra (b) Rz (b)) ± 0,2 ∓ 0,2

sheet 6 of 15

AIAG CQI-standards acc. to STAB-Spec. 10027692							Environmental protection acc. to STAB-Spec. 10005649													
DE: X			EN: X			ES:			IT:			PR: X			FR:			RO: X		
new			(5°); no technical change, no new first sample required			Tab XVI; no technical change, no new first sample required														
old			5°			Tab IV;														
Field			B/6-7			F 8														
Date/Name			31.03.2021 Hein			12.08.2021 Donat														
Chg. No.			696924			699704														
Rev.			21			21														

STABILUS

PISTON ROD

Document No.: 10151065