

The print-out is not subject to the modification service.

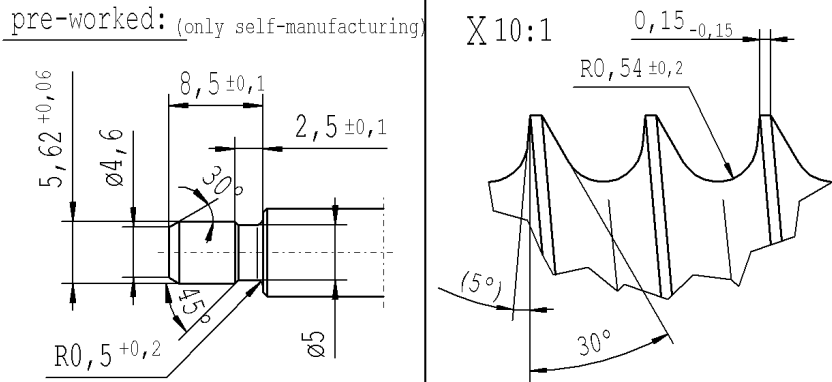
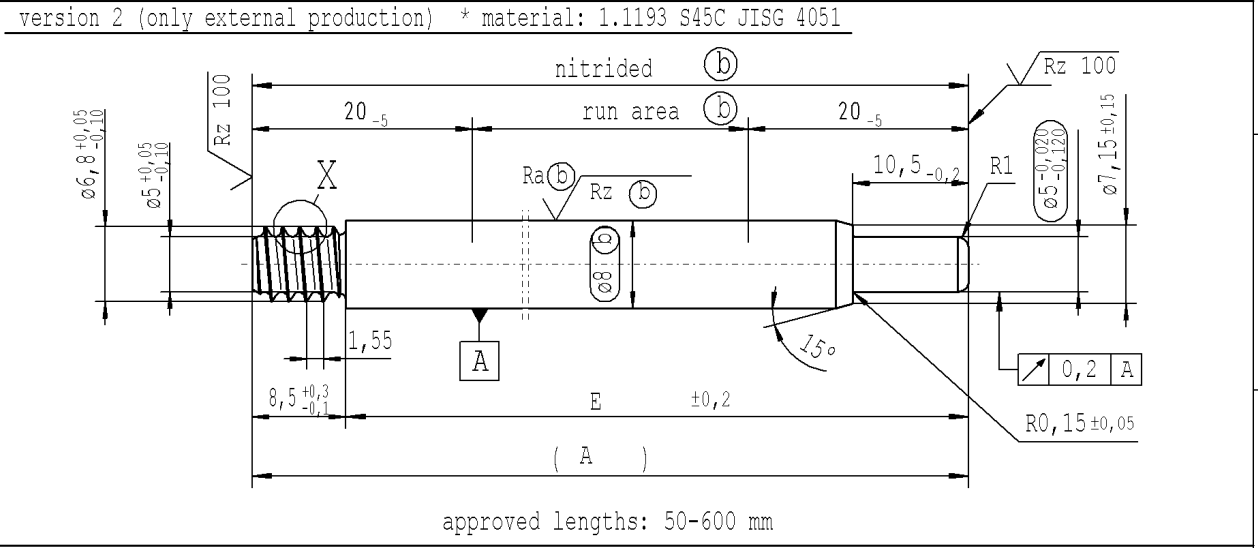
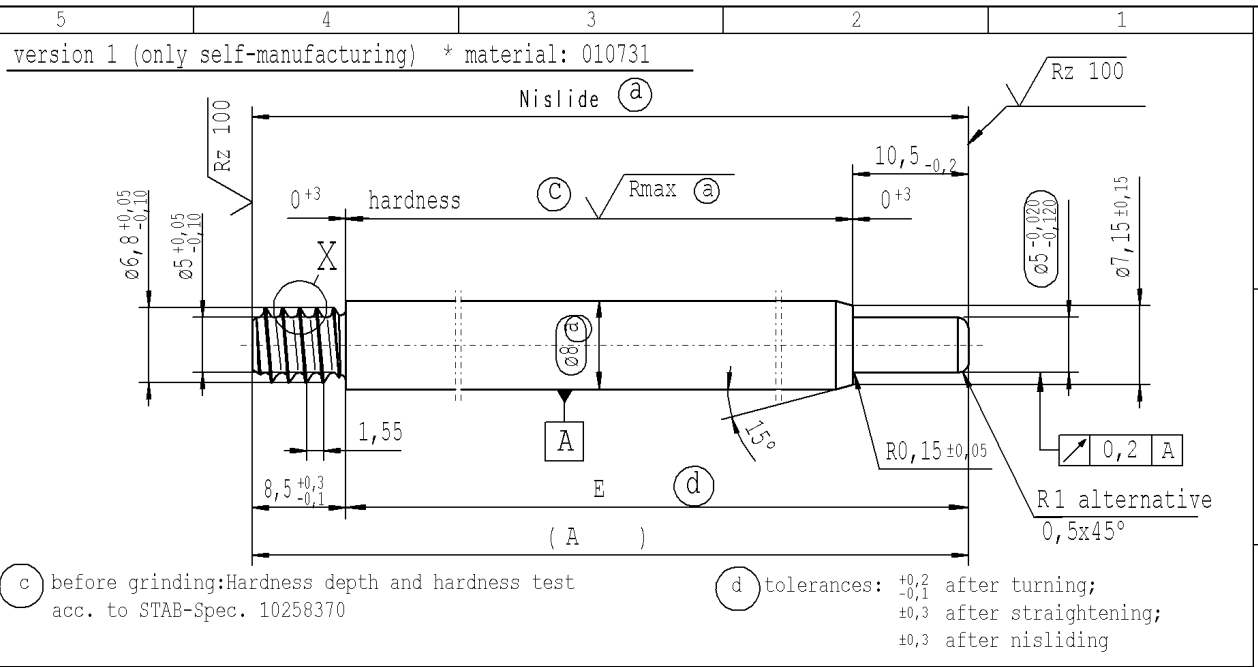
Intended for internal and supplier use

EN

Brevet.datum: 14.09.2021 - 12:16

Ident. Doc.:

supp No.	material no.			A	E
	10006248 Tab. XVI optimized version 1	10006248 Tab. X version 1	10028959 Tab. I version 2	overall length	length without endfitting stud
214	439785	439785	439785	102.0	93.5
215	440024	440024	440024	402.0	393.5
216	450301	450301	450301	501.0	492.5
217	450540	450540	450540	600.0	591.5
218	217754	217754	217754	181.5	173.0
219	218710	218710	218710	178.0	169.5
220	342990	342990	342990	280.5	272.0
221	343707	343707	343707	109.0	100.5
222	357091	357091	357091	167.5	159.0
223	366651	366651	366651	98.0	89.5
224	395331	395331	395331	254.5	246.0
225	396048	396048	396048	164.5	156.0
226	106381	106381	106381	127.0	118.5
227	109966	109966	109966	367.0	358.5
228	111400	111400	111400	138.0	129.5
229	111878	111878	111878	159.0	150.5
231	115224	115224	115224	256.0	247.5
232	116658	116658	116658	271.5	263.0
233	130042	130042	130042	286.0	277.5



$\sqrt{Rz 25}$ ($\sqrt{Rz 100}$ \sqrt{Rmax} (a) Ra (b) Rz (b)) ± 0.2 -0.2

sheet 11 of 15

AIAG CQI-standards acc. to STAB-Spec. 10027692				Environmental protection acc. to STAB-Spec. 10005649			
DE: X	EN: X	ES:	IT:	PR: X	FR:	RO: X	
CAD created document; handwritten changes not permitted				Material: *			
new (5°); no technical change, no new first sample required				All dimensions are in mm			
old 5°				Marking of special characteristics according to STAB-Spec. 10270932			
Field B/6-7				Scale: (Original DIN A3) 2:1			
Date/Name 31.03.2021 Hein				We reserve all rights to this document, to any patents or patent registrations related hereto, and to the duplication, retransmission by third parties and misc. use. Any use of this document is not permitted without the written consent of STABILUS.			
Chg. No. 696924				Document No.: 10151065			
Rev. 21				Material No.:			
				STABILUS			
				PISTON ROD			