

The print-out is not subject to the modification service.

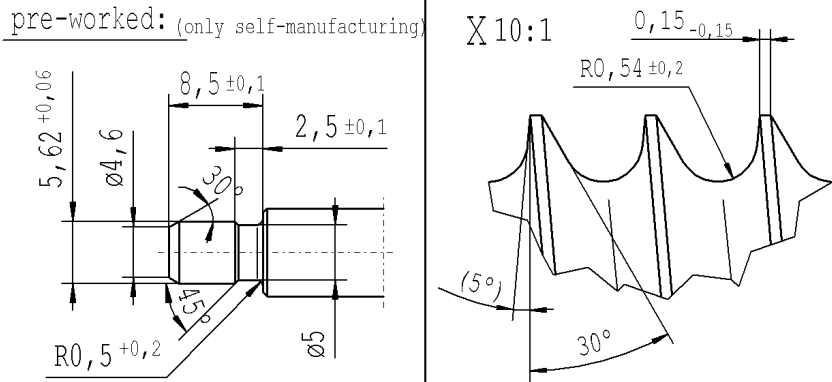
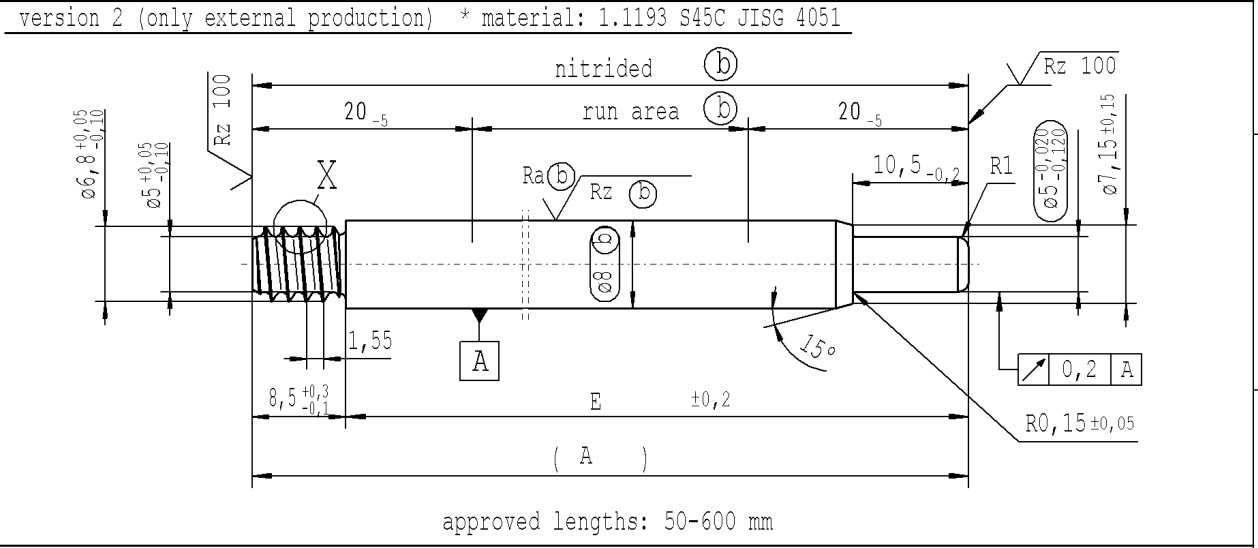
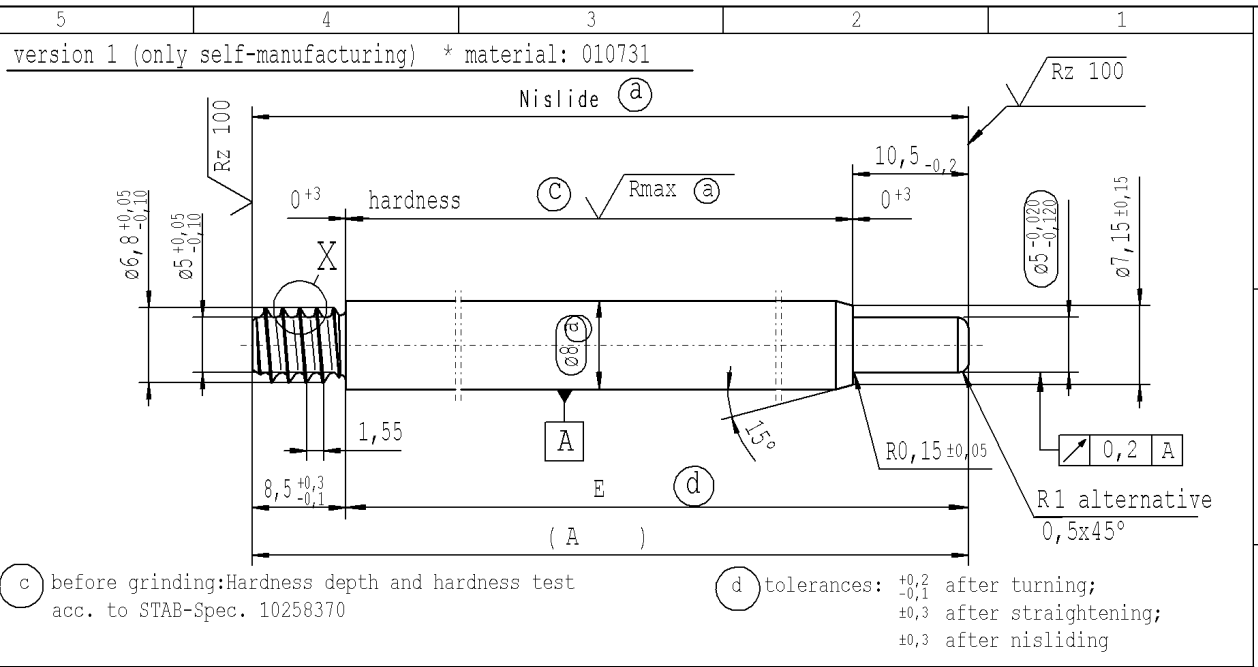
Intended for internal and supplier use

EN

Brevet.datum: 14.09.2021 - 12:18

Ident. Doc.:

supp No.	material no.			A	E
	10006248 Tab. XVI optimized version 1	10006248 Tab. X version 1	10028959 Tab. I version 2	overall length	length without endfitting stud
234	130520	130520	130520	302.0	293.5
235	144621	144621	144621	321.0	312.5
236	657515	657515	657515	249.0	240.5
237	410628	410628	410628	283.0	274.5
238	964391	964391	964391	183.0	174.5
243	958420	958420	958420	182.0	173.5
246	205332	205332	205332	173.5	165.0
248	349688	349688	349688	267.0	258.5
249	350166	350166	350166	158.0	149.5
251	351600	351600	351600	276.0	267.5
253	353034	353034	353034	255.0	246.5
255		383387	383387	183.0	174.5
256	778215	778215	778215	335.0	326.5
257	779410	779410	779410	257.5	249.0
258	780366	780366	780366	120.0	111.5
259	871903	871903	871903	125.5	117.0
260	275838	275838	275838	351.0	342.5
261	278945	278945	278945	167.0	158.5
262	290178	290178	290178	184.0	175.5



sheet 12 of 15

AIAG CQI-standards acc. to STAB-Spec. 10027692				Environmental protection acc. to STAB-Spec. 10005649			
DE: X	EN: X	ES:	IT:	PR: X	FR:	RO: X	Material: *
CAD created document; handwritten changes not permitted				All dimensions are in mm			
new (5°); no technical change, no new first sample required				Marking of special characteristics according to STAB-Spec. 10270932			
old 5°				Scale: (Original DIN A3) 2:1			
Field B/6-7				Dimensions without tolerances DIN ISO 2768-mK			
Date/Name 31.03.2021 Hein				We reserve all rights to this document, to any patents or patent registrations related hereto, and to the duplication, retransmission by third parties and misc. use. Any use of this document is not permitted without the written consent of STABILUS.			
Chg. No. 696924				Document No.: 10151065			
Rev. 21				Material No.:			
				STABILUS			
				PISTON ROD			