

The print-out is not subject to the modification service.

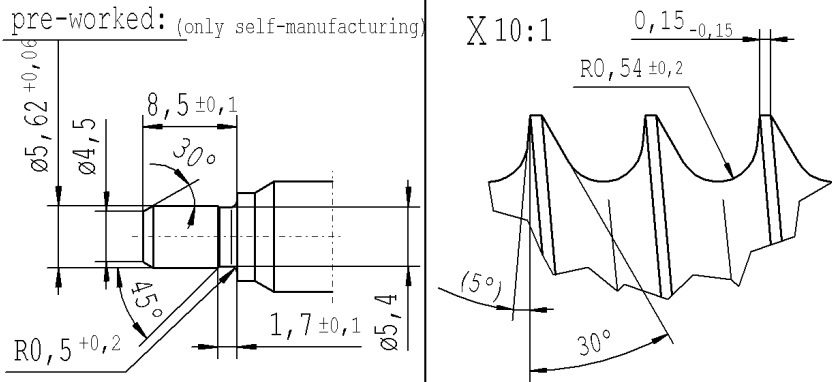
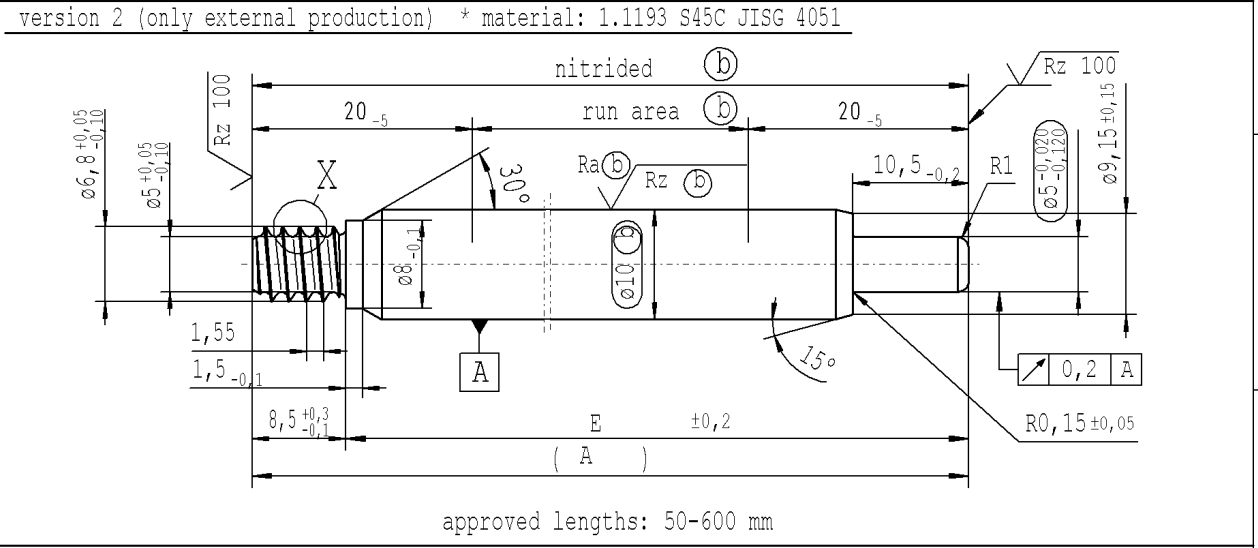
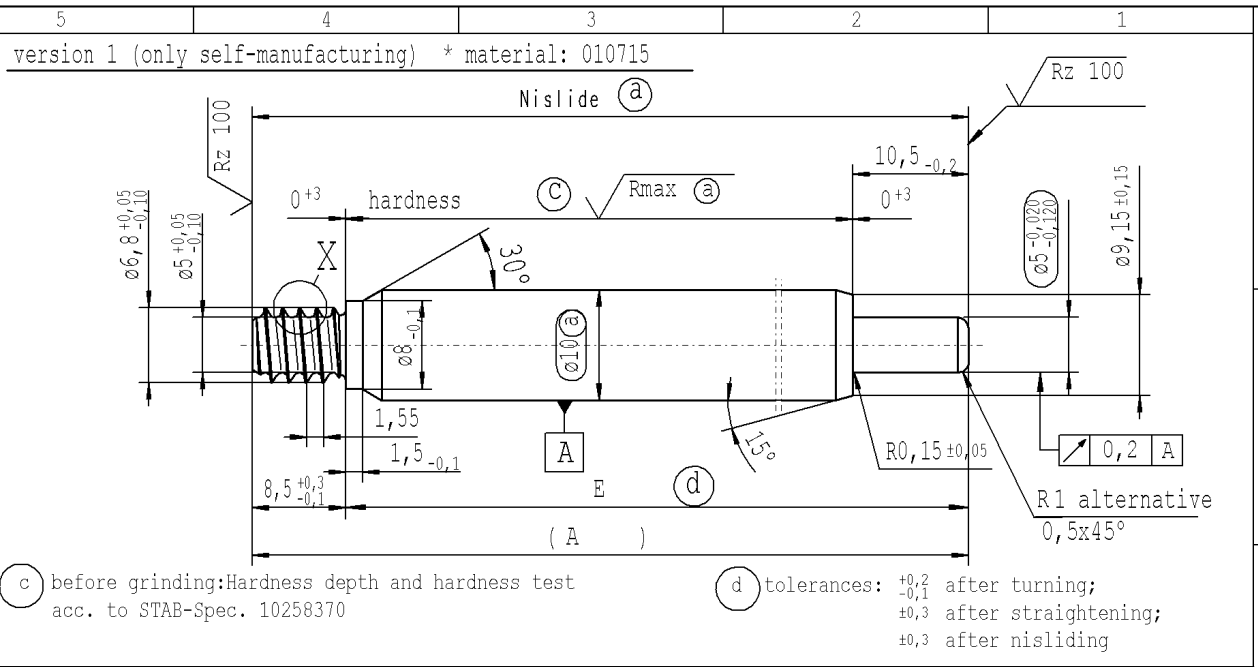
Intended for internal and supplier use

EN

Brevellatum: 14/09/2021 - 12:10

Ident. Doc.:

supp No.	material no.			A	E
	10006248 Tab. XVI optimized version 1	10006248 Tab. X version 1	10028959 Tab. I version 2	overall length	length without endfitting stud
25	130263	130263	130263	162.0	153.5
26	175196	175196	175196	183.0	174.5
27	741387	741387	741387	327.0	318.5
29	122143	122143	122143	225.0	216.5
30	547564	547564	547564	273.0	264.5
31	770073	770073	770073	282.0	273.5
32	461047	461047	461047	159.0	150.5
33		549955	549955	264.0	255.5
34	610901	610901	610901	279.0	270.5
35	084147	084147	084147	216.0	207.5
36	913238	913238	913238	300.0	291.5
37	914433	914433	914433	201.0	192.5
38	974900	974900	974900	261.0	252.5
39	999517	999517	999517	262.5	254.0
40	079129	079129	079129	231.0	222.5
41	908937	908937	908937	354.0	345.5
42	084388	084388	084388	204.0	195.5
43	848710	848710	848710	186.0	177.5
44	338924	338924	338924	228.0	219.5



$\sqrt{Rz 25}$ ($\sqrt{Rz 100}$ \sqrt{Rmax} (a) Ra (b) Rz (b)) ± 0.2 ± 0.2

sheet 2 of 7

AIAG CQI-standards acc. to STAB-Spec. 10027692							Environmental protection acc. to STAB-Spec. 10005649								
DE: X	EN: X	ES:	IT:	PR:	FR:	RO: X	CAD created document; handwritten changes not permitted	Material: *	All dimensions are in mm		Marking of special characteristics according to STAB-Spec. 10270932		Date	Name	
new	(5°); no technical change, no new first sample required						Tab XVI; no technical change, no new first sample required		Scale: (Original DIN A3) 2:1	Dimensions without tolerances		Drawn by	17.12.2007	C.Hein	
old	5°						Tab IV;		Edge tolerances acc. to DIN ISO 13715	DIN ISO 2768-mK		Checked	12.08.2021	Milles	
Field	B/6-7						F 8		Surface finish	DIN EN ISO 1302		Document No.: 10151520			
Date/Name	08.04.2021 Hein						12.08.2021 Donat		Replaces:			Material No.:			
Chg. No.	696948						699704		STABILUS		PISTON ROD				
Rev.	13						13								