

The print-out is not subject to the modification service.

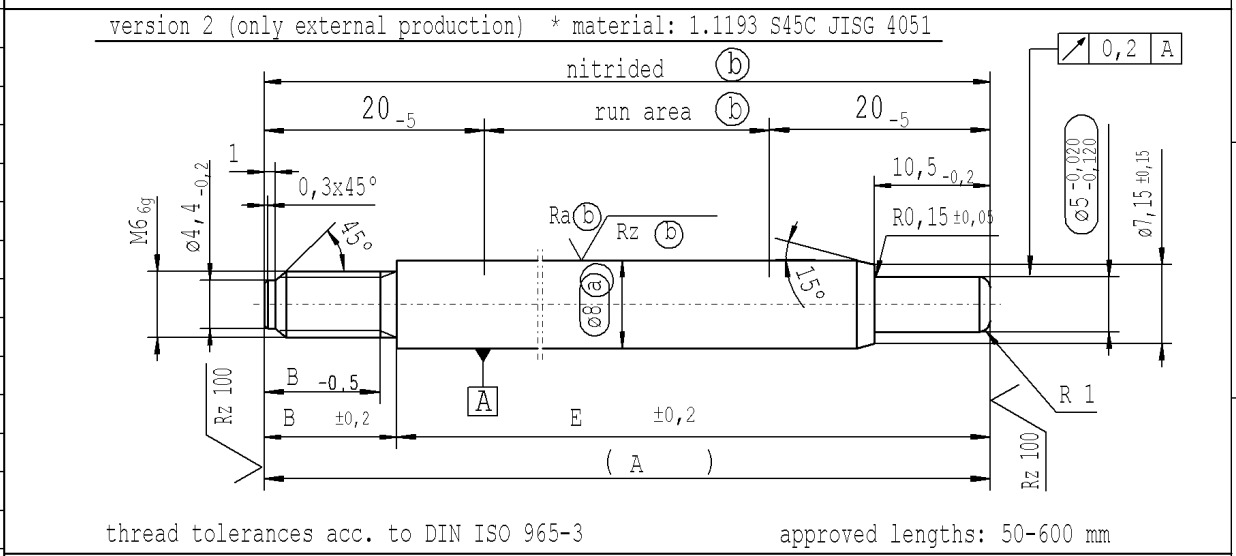
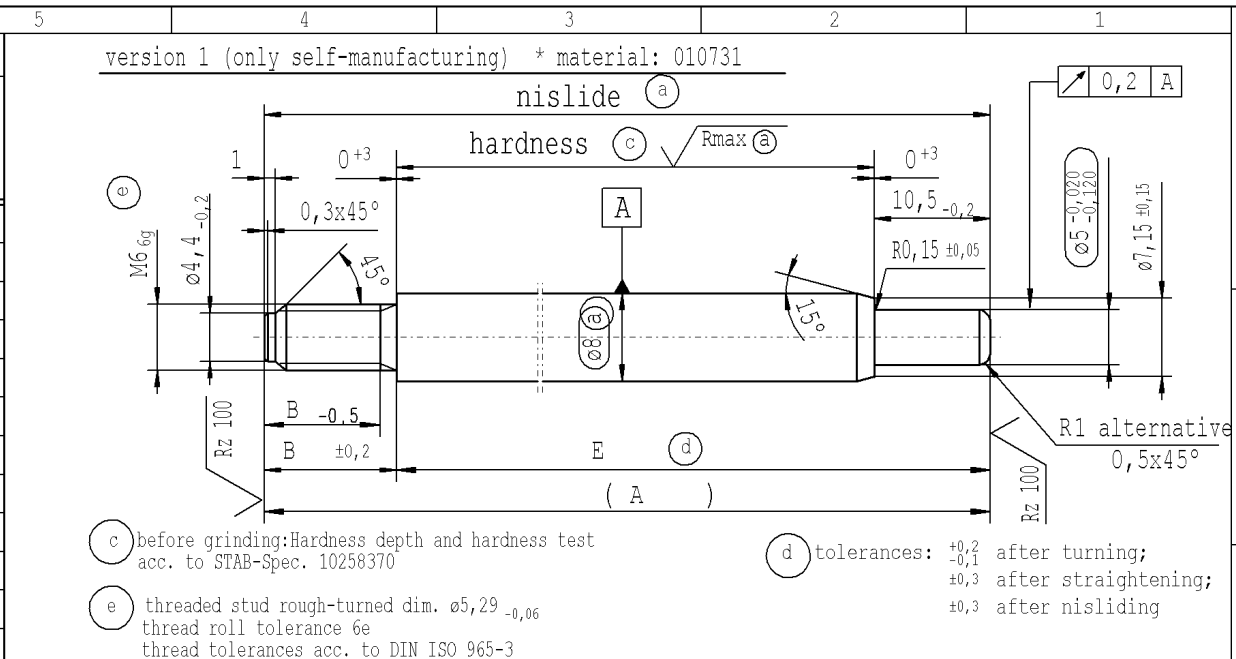
Intended for internal and supplier use

EN

Brevet.datum: 15.09.2021 - 13:5

Ident. Doc.:

supp No.	material no.			A	B	E
	processing and surface treatment acc. to STAB-Spec.			overall length	thread length	length without end-fitting stud
	10006248 Tab. XVI optimized version 1 (a)	10006248 Tab. X version 1 (a)	10028959 Tab. I version 2 (b)			
31	769366	769366	769366	159.0	7	152.0
32	850148	850148	850148	171.0	7	164.0
33	774865	774865	774865	258.0	7	251.0
34	912051	912051	912051	198.0	7	191.0
35	435725	435725	435725	105.0	7	98.0
36	607327	607327	607327	279.0	7	272.0
37	608522	608522	608522	228.0	7	221.0
38	785621	785621	785621	276.0	7	269.0
39	786338	786338	786338	177.0	7	170.0
40	869273	869273	869273	201.0	7	194.0
41	954596	954596	954596	243.0	7	236.0
42	366657	366657	366657	157.0	7	150.0
43	621909	621909	621909	120.0	7	113.0
44	810480	810480	810480	168.0	7	161.0
45	293285	293285	293285	148.5	7	141.5
46	153712	153712	153712	291.0	7	284.0
47	155385	155385	155385	240.0	7	233.0
48	165423	165423	165423	141.0	7	134.0
49	168291	168291	168291	261.0	7	254.0
50	229953	229953	229953	96.0	7	89.0
51	893418	893418	893418	162.0	7	155.0
52	894374	894374	894374	237.0	7	230.0
53	929986	929986	929986	189.0	7	182.0
54	659678	659678	659678	375.0	7	368.0
55	313610	313610	313610	87.0	7	80.0
56	190050	190050	190050	297.0	7	290.0
57	235699	235699	235699	81.0	7	74.0
58	336559	336559	336559	234.0	7	227.0
59	347553	347553	347553	447.0	7	440.0



$\sqrt{Rz 25}$  ( $\sqrt{Rz 100}$   $\sqrt{Rmax}$  (a)  $\sqrt{Ra}$  (b)  $\sqrt{Rz}$  (b))  $\downarrow +0,2$   $\downarrow -0,2$

sheet 2  
of 3

AIAG CQI-standards acc. to STAB-Spec. 10027692				Environmental protection acc. to STAB-Spec. 10005649			
DE: X	EN: X	ES:	IT:	PR:	FR:	RO: X	
CAD created document; handwritten changes not permitted				Material: *			
new thread length -0,5 Tab XVI; no technical change, no new first sample required no technical change, no new first sample required				All dimensions are in mm			
old thread length -1,5 Tab IV; Tab XVI				Marking of special characteristics according to STAB-Spec. 10270932			
Field C/4; E/4 F 8 F 7				Scale: (Original DIN A3) 2:1 Dimensions without tolerances DIN ISO 2768-mK			
Date/Name 09.06.2021 Hein 12.08.2021 Donat 14.09.2021 Donat				We reserve all rights to this document, to any patents or patent registrations related hereto, and to the duplication, retransmission by third parties and misc. use. Any use of this document is not permitted without the written consent of STABILUS.			
Chg. No. 698659 699704 700848				Document No.: 10151863			
Rev. 9 9 9				Material No.:			
				<b>STABILUS</b> PISTON ROD			