

The print-out is not subject to the modification service.

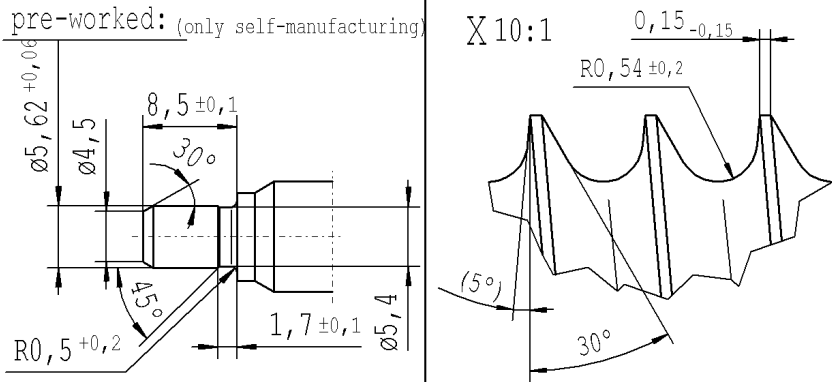
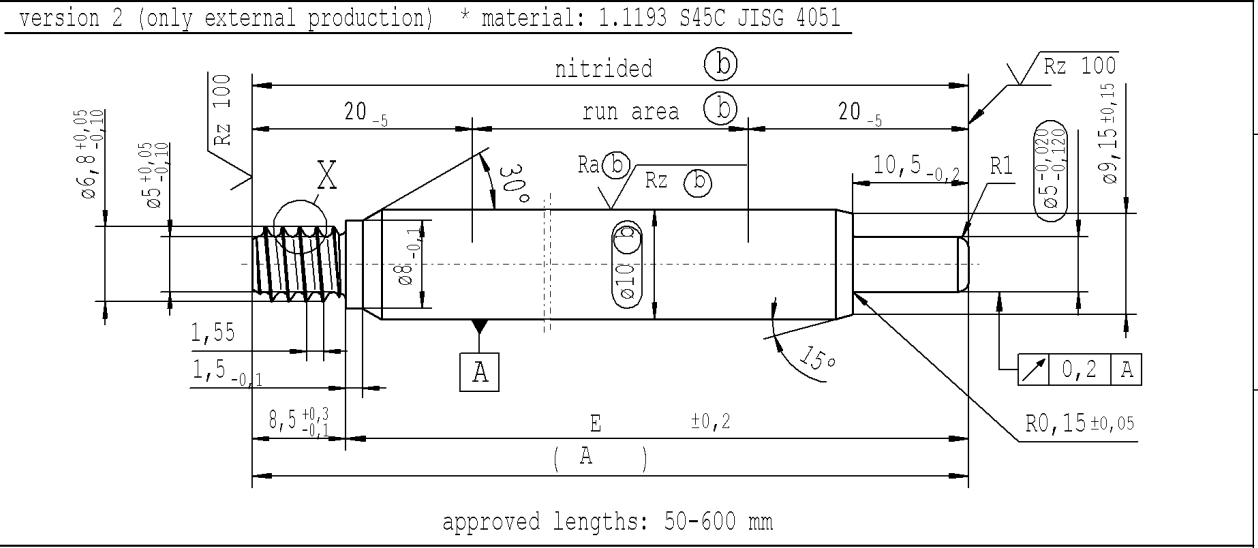
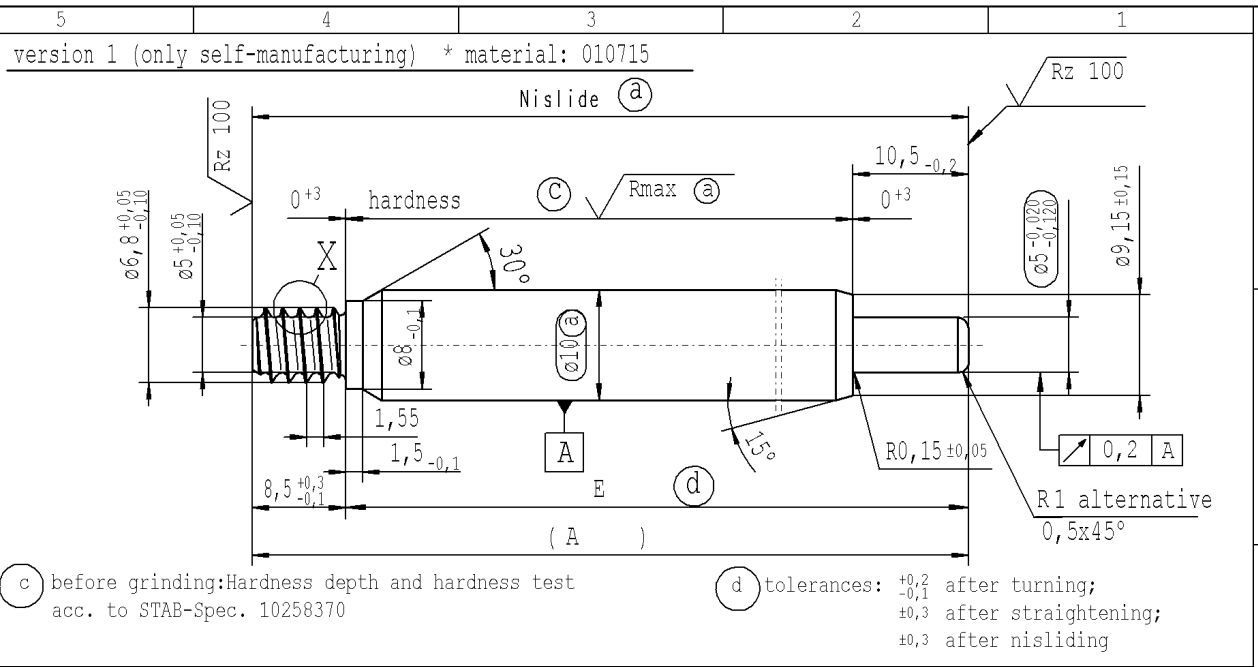
Intended for internal and supplier use

EN

Brevet.datum: 14/02/2021 - 12:10

Ident. Doc.:

supp No.	material no.			A	E
	processing and surface treatment acc. to STAB-Spec. 10006248 Tab. XVI optimized version 1	10006248 Tab. X version 1	10028959 Tab. I version 2	overall length	length without endfitting stud
85	492618	492618	492618	132.0	123.5
86	494530	494530	494530	303.0	294.5
87	993562	993562	993562	168.0	159.5
88	154434	154434	154434	213.0	204.5
89	422832	422832	422832	324.0	315.5
90	874306	874306	874306	381.0	372.5
91	937163	937163	937163	255.0	246.5
92	235223	235223	235223	177.0	168.5
93	089673	089673	089673	348.0	339.5
94	109988	109988	109988	492.0	483.5
95	110944	110944	110944	308.0	299.5
96	148228	148228	148228	384.0	375.5
97	149662	149662	149662	414.0	405.5
98	151813	151813	151813	130.5	122.0
99	155637	155637	155637	378.0	369.5
100	156354	156354	156354	162.0	153.5
101	160895	160895	160895	135.0	126.5
102		161612	161612	180.0	171.5
103	163763	163763	163763	293.5	285.0



$\sqrt{Rz 25}$  ( $\sqrt{Rz 100}$   $\sqrt{Rmax}$  (a)  $\sqrt{Ra}$  (b)  $\sqrt{Rz}$  (b))  $\pm 0.2$   $-0.2$

sheet 5 of 7

AIAG CQI-standards acc. to STAB-Spec. 10027692							Environmental protection acc. to STAB-Spec. 10005649						
DE: X	EN: X	ES:	IT:	PR:	FR:	RO: X	Material: *	All dimensions are in mm	Marking of special characteristics according to STAB-Spec. 10270932	Date	Name		
CAD created document; handwritten changes not permitted										Drawn by	17.12.2007	C.Hein	
new	(5%); no technical change, no new first sample required						Tab XVI; no technical change, no new first sample required	Edge tolerances acc. to DIN ISO 13715	Scale: (Original DIN A3) 2:1	Dimensions without tolerances DIN ISO 2768-mK	Checked	12.08.2021	Milles
old	5°						Tab IV;				Document No.:	10151520	
Field	B/6-7						F 8	Surface finish	DIN EN ISO 1302		Material No.:		
Date/Name	08.04.2021 Hein						12.08.2021 Donat	Replaces:					
Chg. No.	696948						699704	<b>STABILUS</b>	<b>PISTON ROD</b>				
Rev.	13						13						