

The print-out is not subject to the modification service.

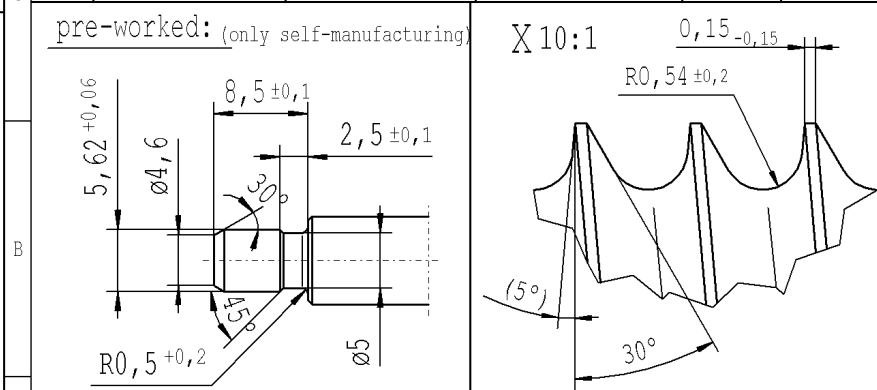
Intended for internal and supplier use

EN

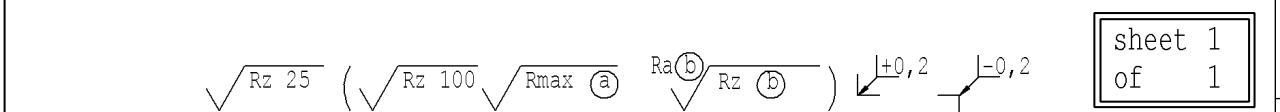
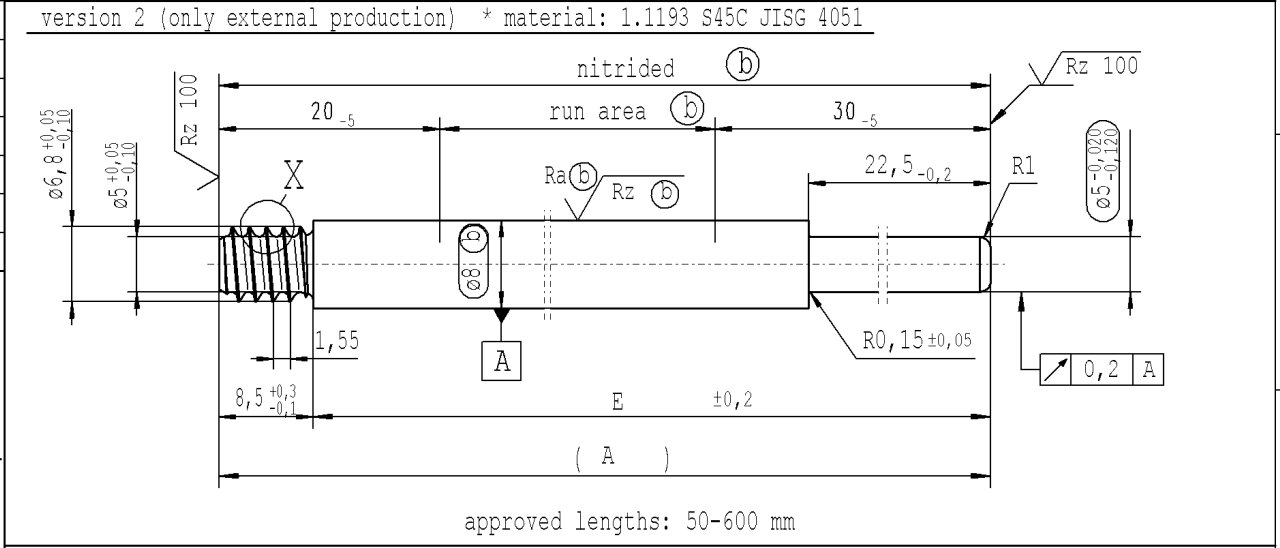
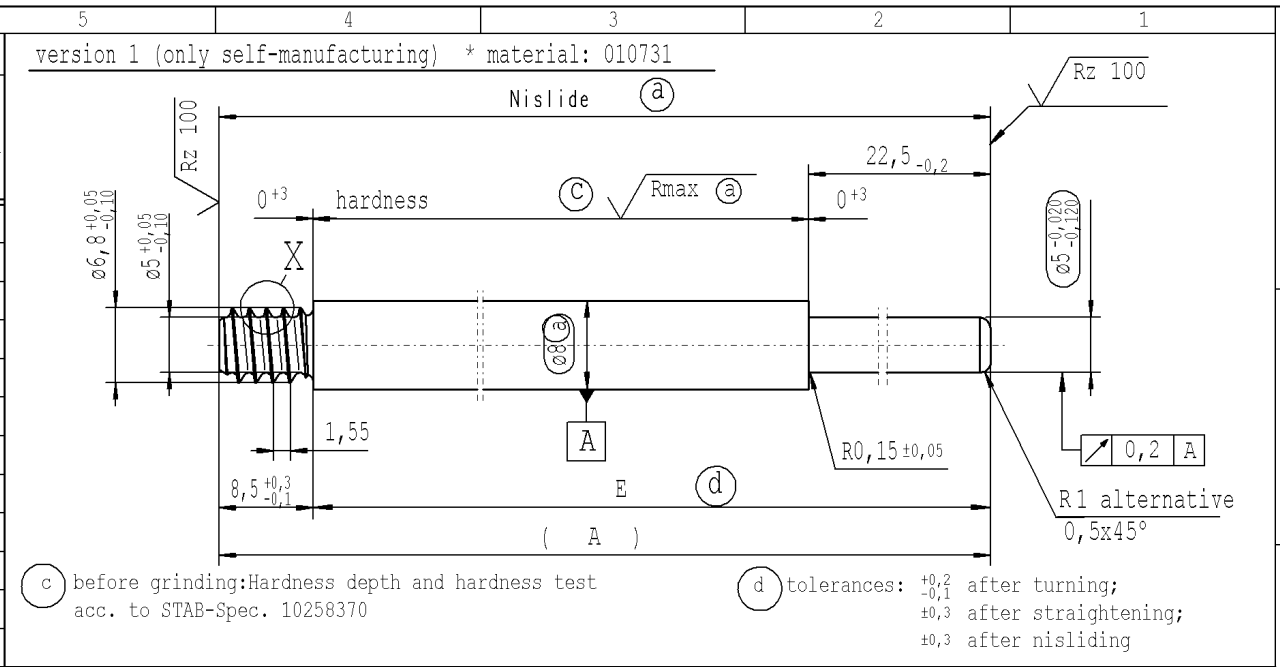
Brevellatum: 14/09/2021 - 12:31

Ident. Doc.:

| supp No. | material no.  |                                  |                                  | A              | E                              |
|----------|---|----------------------------------|----------------------------------|----------------|--------------------------------|
|          | processing and surface treatment acc. to STAB-Spec. |                                  |                                  | overall length | length without endfitting stud |
|          | 10006248 Tab. XVI optimized<br>version 1 (a)        | 10006248 Tab. X<br>version 1 (a) | 10028959 Tab. I<br>version 2 (b) |                |                                |
| 4        | 923521  | 923521                           | 923521                           | 258            | 249.5                          |
| 5        | 719425  | 719425                           | 719425                           | 255            | 246.5                          |
| 6        | 720620  | 720620                           | 720620                           | 306            | 297.5                          |
| 7        | 430958  | 430958                           | 430958                           | 195            | 186.5                          |



AIAG CQI-standards acc. to STAB-Spec. 10027692



sheet 1 of 1

|           |  |     |     |   |     |       |   |
|-----------|--|-----|-----|---|-----|-------|---|
| DE: X     | EN: X  | ES: | IT: | PR:   | FR: | RO: X | CAD created document; handwritten changes not permitted |
| new       | Tab XVI; no technical change, no new first sample required |     |     | no technical change, no new first sample required |     |       |   |
| old       | Tab IV;  |     |     | Tab XVI   |     |       |   |
| Field     | F 8  |     |     | F 7   |     |       |   |
| Date/Name | 12.08.2021 Donat   |     |     | 14.09.2021 Donat                                  |     |       |   |
| Chg. No.  | 699704   |     |     | 700848  |     |       |   |
| Rev.      | 7  |     |     | 7   |     |       |   |

|                                       |                 |
|---------------------------------------|-----------------|
| Material:                             | *               |
| Edge tolerances acc. to DIN ISO 13715 |                 |
| Surface finish                        | DIN EN ISO 1302 |
| Replaces:                             |                 |
| <b>STABILUS</b>                       |                 |

|  |   |
|--|---|
| Environmental protection acc. to STAB-Spec. 10005649   |   |
| All dimensions are in mm   | Marking of special characteristics according to STAB-Spec. 10270932 |
| Scale: (Original DIN A3) 2:1   | Dimensions without tolerances DIN ISO 2768-mK                       |
| We reserve all rights to this document, to any patents or patent registrations related hereto, and to the duplication, retransmission by third parties and misc. use. Any use of this document is not permitted without the written consent of STABILUS. |   |
| <b>PISTON ROD</b>  |   |

|               |      |          |
|---------------|------|----------|
| Drawn by      | Date | Name     |
| Checked       |      |          |
| Document No.: |      | 10154879 |
| Material No.: |      |          |