

The print-out is not subject to the modification service.

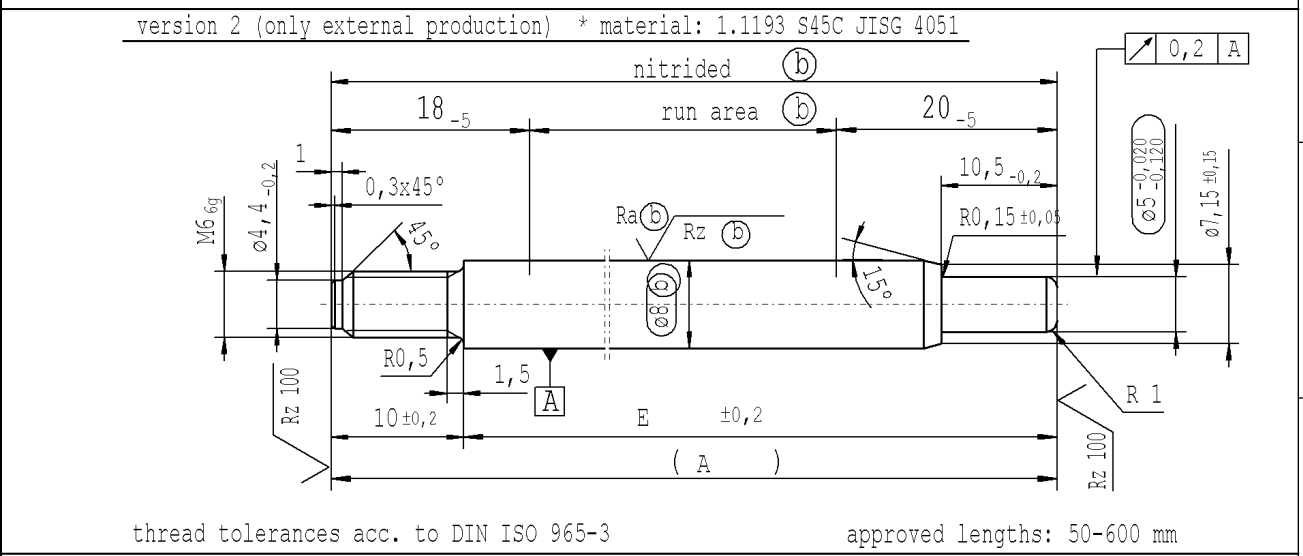
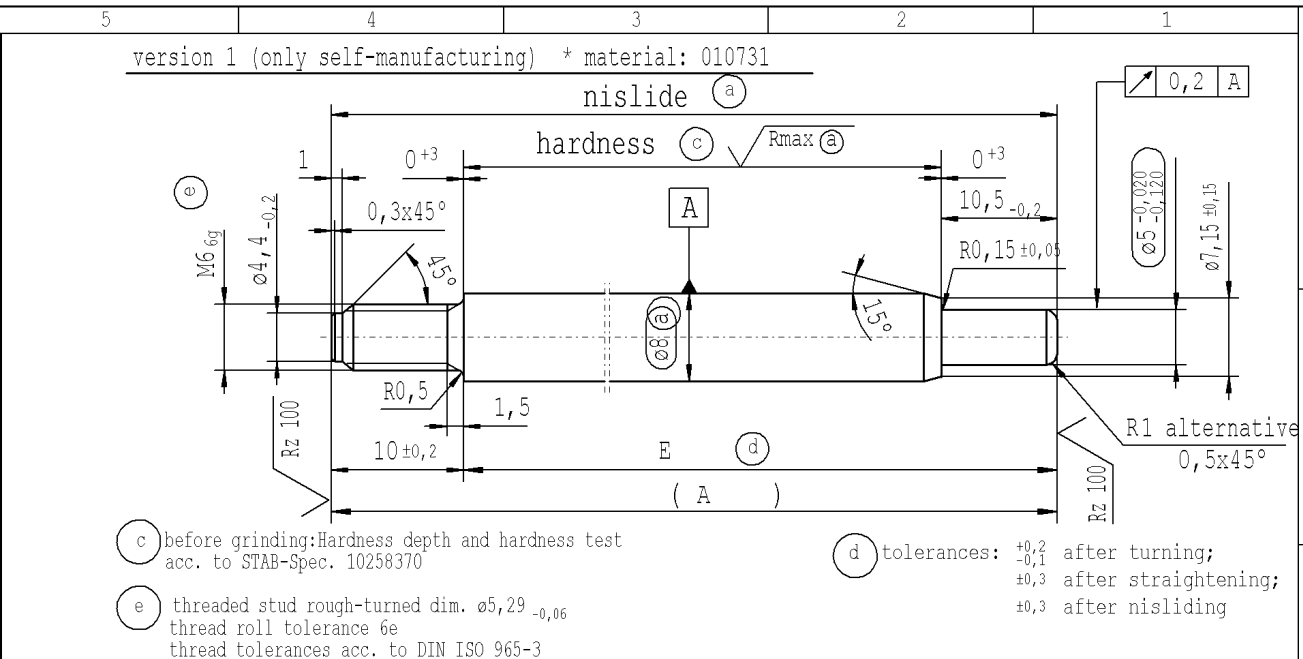
Intended for internal and supplier use

EN

Brevet d'Etat n. 14/9/2021 - 12-6

Ident. Doc.:

supp	material no.			A	E
	10006248 Tab. XVI optimized version 1	10006248 Tab. X version 1	10028959 Tab. I version 2	overall length	length without end-fitting stud
1	536321	536321	536321	105	95
2	076247	076247	076247	129	119
3	076486	076486	076486	156	146
4	076725	076725	076725	180	170
5	077203	077203	077203	207	197
6	077920	077920	077920	228	218
7	078159	078159	078159	264	254
8	078637	078637	078637	279	269
9	078876	078876	078876	312	302
10	383613	383613	383613	132	122
11	934986	934986	934986	165	155
12	914911	914911	914911	171	161
13	783940	783940	783940	210	200
14	786091	786091	786091	231	221
15	787047	787047	787047	150	140
16	787764	787764	787764	111	101
17	792544	792544	792544	192	182
18	865200	865200	865200	177	167
19	531320	531320	531320	357	347
20	438829	438829	438829	102	92
21	439068	439068	439068	300	290
22	449584	449584	449584	501	491
23	196722	196722	196722	126	116
24	199829	199829	199829	144	134
25	201741	201741	201741	246	236
26	202458	202458	202458	294	284
27	202936	202936	202936	225	215
28	203414	203414	203414	186	176
29	204131	204131	204131	204	194



$\sqrt{Rz 25}$ ($\sqrt{Rz 100}$ \sqrt{Rmax} (a) \sqrt{Ra} (b) \sqrt{Rz} (b)) $\downarrow +0,2$ $\downarrow -0,2$

sheet 1 of 2

AIAG CQI-standards acc. to STAB-Spec. 10027692				Environmental protection acc. to STAB-Spec. 10005649			
DE: X	EN: X	ES:	IT:	PR:	FR:	RO: X	CAD created document; handwritten changes not permitted
new	⊙ = acc. STAB-Spec. 10258370	new format Internal/Supplier		Tab XVI; no technical change, no new first sample required			
old	⊙ = RHT 0,4 0,7 mm	Supplier drawing separately		Tab IV;			
Field	B 4-5		-		F 8		
Date/Name	15.05.2019 Donat		15.07.2020 Höfer		12.08.2021 Donat		
Chg. No.	678703		690133		699704		
Rev.	6		7		7		
Material: *				All dimensions are in mm			
Edge tolerances acc. to DIN ISO 13715				Scale: (Original DIN A3) 2:1			
Surface finish DIN EN ISO 1302				Marking of special characteristics according to STAB-Spec. 10270932			
Replaces:				We reserve all rights to this document, to any patents or patent registrations related hereto, and to the duplication, retransmission by third parties and misc. use. Any use of this document is not permitted without the written consent of STABILUS.			
STABILUS				PISTON ROD			
Document No.:				10154967			
Material No.:							