

The print-out is not subject to the modification service.

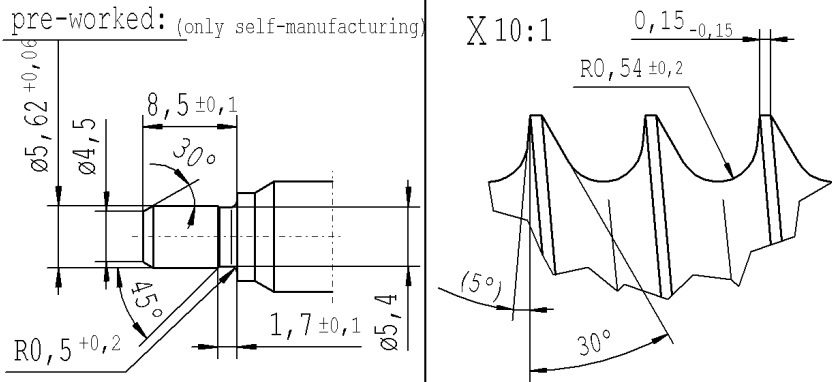
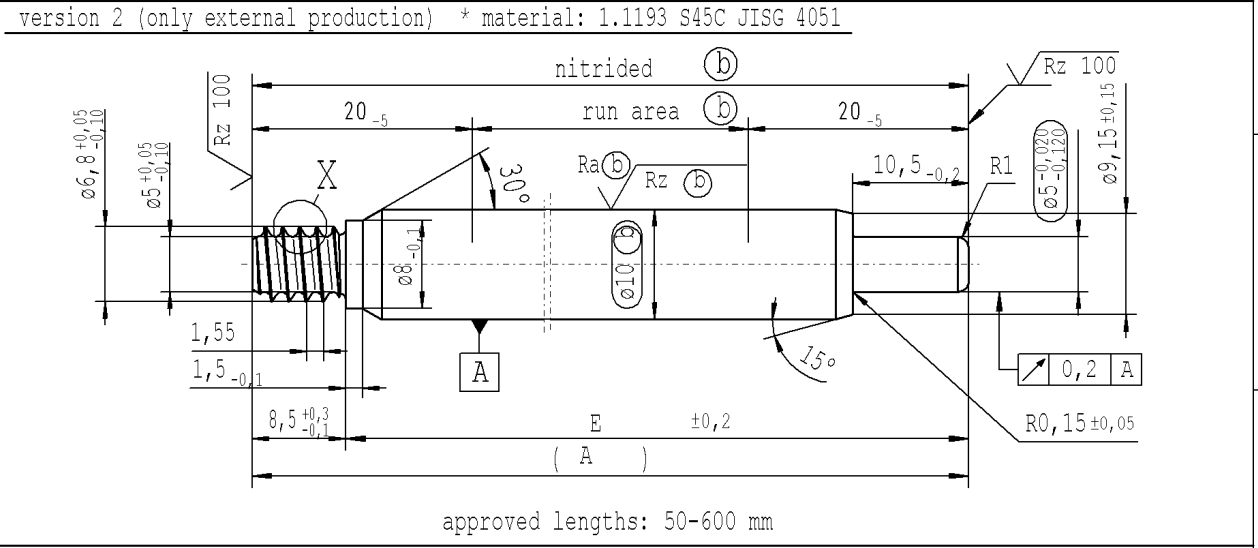
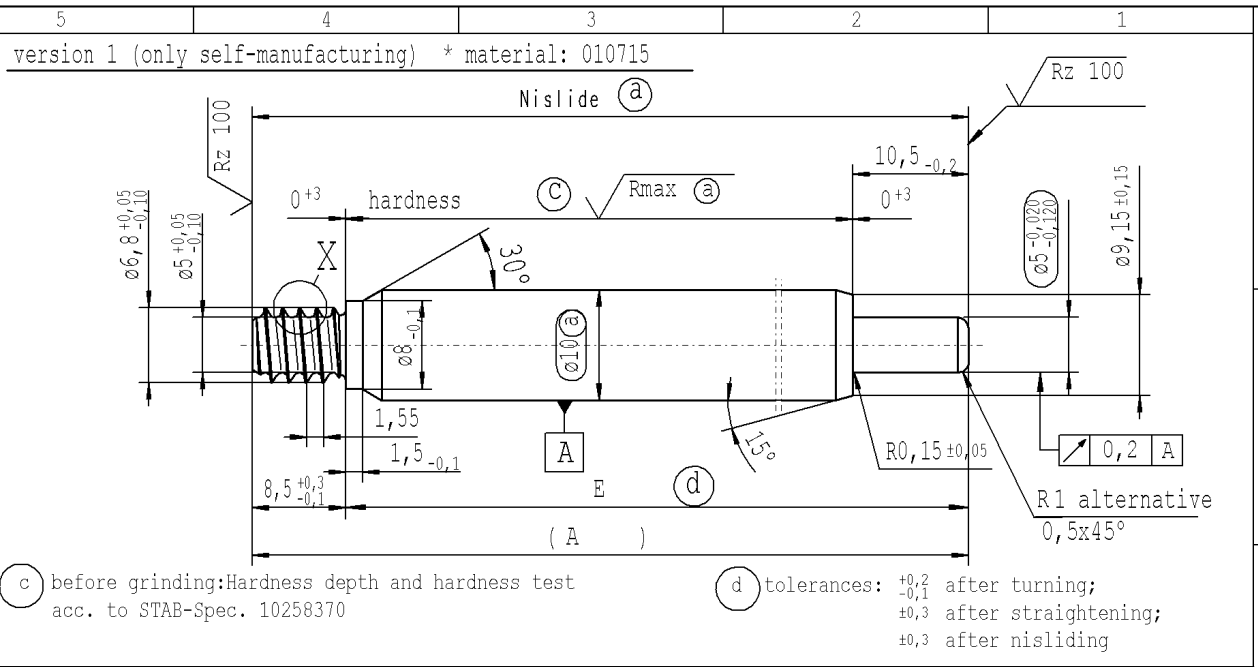
Intended for internal and supplier use

EN

Brevellatum: 14/09/2021 - 12:10

Ident. Doc.:

supp No.	material no.			A	E
	10006248 Tab. XVI optimized version 1	10006248 Tab. X version 1	10028959 Tab. I version 2	overall length	length without endfitting stud
66	940254	940254	940254	399.0	390.5
67	991878	991878	991878	294.0	285.5
68	432382	432382	432382	258.0	249.5
69	242377	242377	242377	321.0	312.5
70	274643	274643	274643	228.5	220.0
71	556663	556663	556663	252.0	243.5
72	971567	971567	971567	435.0	426.5
73	042814	042814	042814	285.0	276.5
74	282531	282531	282531	429.0	420.5
75	442183	442183	442183	291.0	282.5
76	800922	800922	800922	318.0	309.5
77	675689	675689	675689	276.0	267.5
78	957470	957470	957470	198.0	189.5
79	711779	711779	711779	165.0	156.5
80	715126	715126	715126	315.0	306.5
81	726837	726837	726837	246.0	237.5
82	777744	777744	777744	270.0	261.5
83	778700	778700	778700	366.0	357.5
84	473259	473259	473259	144.0	135.5



AIAG CQI-standards acc. to STAB-Spec. 10027692							Environmental protection acc. to STAB-Spec. 10005649						
DE: X	EN: X	ES:	IT:	PR:	FR:	RO: X	Material: *	All dimensions are in mm	Marking of special characteristics according to STAB-Spec. 10270932	Date	Name		
CAD created document; handwritten changes not permitted										Drawn by	17.12.2007	C.Hein	
new	(5°); no technical change, no new first sample required						Tab XVI; no technical change, no new first sample required	Edge tolerances acc. to DIN ISO 13715	Scale: (Original DIN A3) 2:1	Dimensions without tolerances DIN ISO 2768-mK	Checked	12.08.2021	Milles
old	5°						Tab IV;				Document No.:	10151520	
Field	B/6-7						F 8	Surface finish	DIN EN ISO 1302			Material No.:	
Date/Name	08.04.2021 Hein						12.08.2021 Donat	Replaces:					
Chg. No.	696948						699704	STABILUS			PISTON ROD		
Rev.	13						13						

sheet 4 of 7