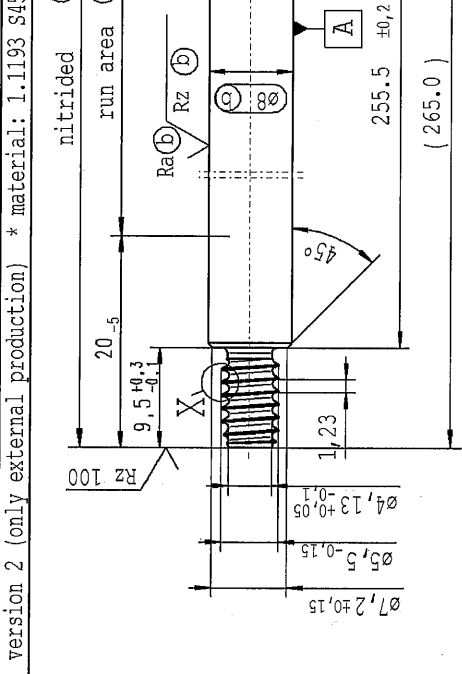
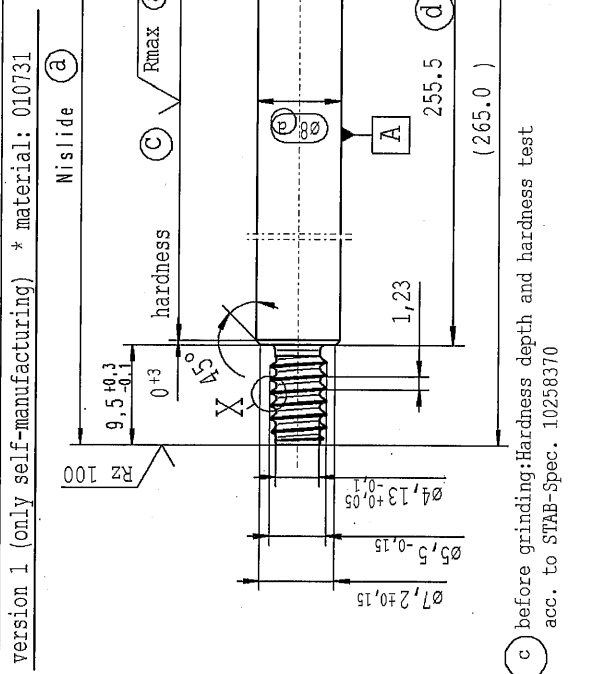
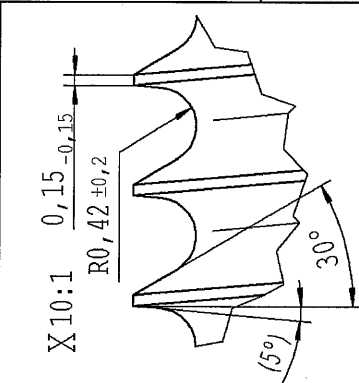
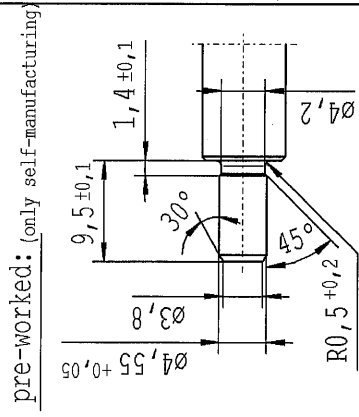


F No.	G material no.	H processing and surface treatment acc. to STAB-Spec.		I length without endfitting stud	
		100028959 Tab. I version 1	100028959 Tab. I version 2	overall length	length without endfitting stud
1	956036	252.0	242.5	252.0	242.5
2	956275	255.0	245.5	255.0	245.5
3	886968	300.0	290.5	300.0	290.5
4	490468	111.0	101.5	111.0	101.5
5	111416	192.0	182.5	192.0	182.5
6	674504	194.0	184.5	194.0	184.5
7	164957	243.0	233.5	243.0	233.5
8	907530	202.0	192.5	202.0	192.5
9	072465	264.0	254.5	264.0	254.5
10	077723	336.0	326.5	336.0	326.5
11	078918	266.0	256.5	266.0	256.5
12	091824	265.0	255.5	265.0	255.5
13	096604	137.0	127.5	137.0	127.5
14	097082	148.5	139.0	148.5	139.0
15	101145	147.0	137.5	147.0	137.5
16	110466	154.0	144.5	154.0	144.5
17	111900	165.0	155.5	165.0	155.5
18	113095	139.0	129.5	139.0	129.5
19	121938	90.0	80.5	90.0	80.5



approved lengths: 50-600 mm

Environmental protection acc. to STAB-Spec. 10005649