

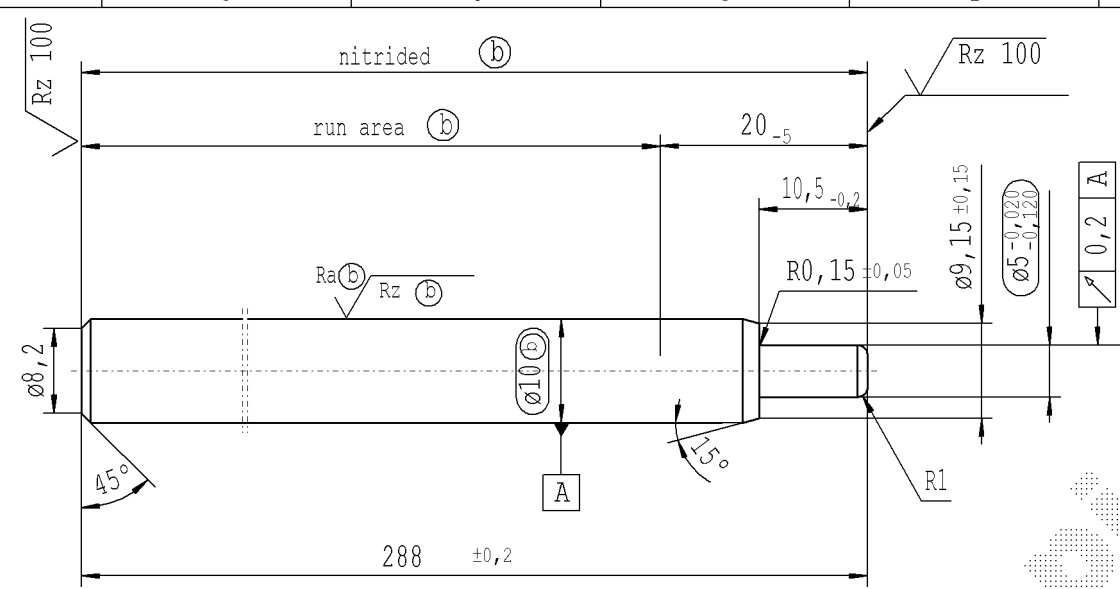
The print-out is not subject to the modification service.

Intended for internal and supplier use

Bspereil.daten: 19/07/2021 - 8:15

Ident. Doc.:

supp No.	material no.	A
	Surface treatment STAB-Spec. 10028959 Tab.I	overall length
1	313832	348
2	314788	150
3	315505	450
4	315983	201
5	324826	402
6	327933	300
7	340122	231
8	342034	252
9	342512	234
10	365456	249
11	365934	129
12	373343	117
13	381947	258
14	094432	123
15	827451	276
16	830323	114
17	875972	195
18	597299	270
19	367862	126
20	092774	207
21	480197	351
22	806912	288
23	859253	204
24	859731	105
25	682394	213



external production * material: 1.1193 S45C JISG 4051

approved lengths: 50-600 mm

$\sqrt{Rz\ 25}$ ($\sqrt{Rz\ 100}$ $\sqrt{R_{max}}$ (a) \sqrt{Ra} (b) \sqrt{Rz} (b)) $\leftarrow^{+0,2}$ $\leftarrow^{-0,2}$

sheet 1
of 1

AIAG CQI-standards acc. to STAB-Spec. 10027892										Environmental protection acc. to STAB-Spec. 10005649									
DE: X	EN: X	ES:	IT:	PR:	FR:	RO: X	CAD created document handwritten changes not permitted			Material: *	All dimensions are in mm		Marking of special characteristics according to STAB-Spec. 10270932		Drawn by	Date	Name		
new	revised	product family: 2016/0255		ZhangShi	new format Internal/Supplier					Edge tolerances acc. to DIN ISO 13715	Scale: (Original DIN A3) 2:1		Dimensions without tolerances DIN ISO 2768 mK		Checked	11.01.2008	Höfer		
old	-	product family: 2008/0027		China	Supplier drawing separately					Surface finish: DIN EN ISO 1302						13.07.2020	Klinkner		
Field	-	B/5		B/5	-					Regulärer:							Document No.:		
Date/Name	21.01.2016 Höfer	04.03.2016 Hein		19.04.2017 Höfer	03.06.2020 Höfer					We reserve all rights to this document, to any patents or patent registrations related hereto, and to the duplication, retransmission by third parties and misc. use. Any use of this document is not permitted without the written consent of STABILUS.						10151837			
Chg. No.	632605	634815		655526	688810											Material No.:			
Rev.	7	8		9	10					STABILUS		PISTON ROD							