

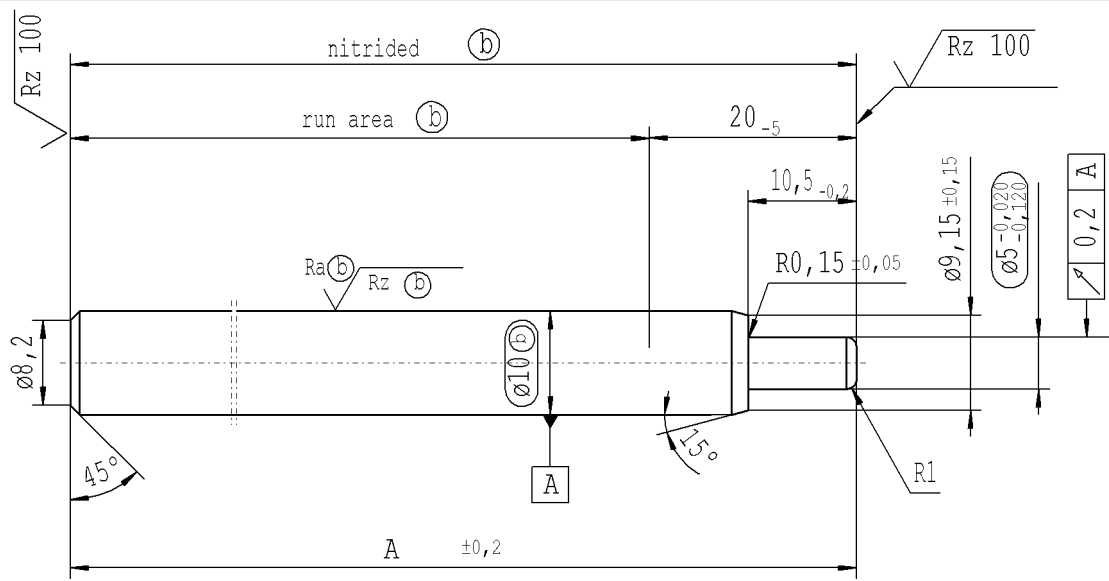
The print-out is not subject to the modification service.

Intended for internal and supplier use

Bspere11.docx: 19/07/2021 - 8:15

Ident. Doc.:

F	supp No.	material no.	A
	Surface treatment STAB-Spec. 10028959 Tab.I (b)		overall length
	1	313832	348
	2	314788	150
	3	315505	450
	4	315983	201
	5	324826	402
E	6	327933	300
	7	340122	231
	8	342034	252
	9	342512	234
	10	365456	249
	11	365934	129
D	12	373343	117
	13	381947	258
	14	094432	123
	15	827451	276
	16	830323	114
	17	875972	195
	18	597299	270
C	19	367862	126
	20	092774	207
	21	480197	351
	22	806912	288
	23	859253	204
	24	859731	105
B	25	682394	213
	xx	xxxxxx	459



external production * material: 1.1193 S45C JISG 4051

approved lengths: 50-600 mm

$\sqrt{Rz\ 25}$ ($\sqrt{Rz\ 100}$ $\sqrt{Rmax\ (a)}$ $Ra\ (b)$ $Rz\ (b)$) $\begin{matrix} \swarrow +0,2 \\ \searrow -0,2 \end{matrix}$

sheet 1
of 1

AIAG CQI-standards acc. to STAB-Spec. 10027692					Environmental protection acc. to STAB-Spec. 10005649										
DE: X	EN: X	ES:	IT:	PR:	FR:	RO: X	CAD created document; handwritten changes not permitted			Material: *	All dimensions are in mm	Marking of special characteristics according to STAB-Spec. 10270932	Drawn by 11.01.2008 Höfer	Date	Name
new	revised	product family: 2016/0255		ZhangShi	new format Internal/Supplier			Edge tolerances acc. to DIN ISO 13715	Scale: (Original DIN A3) 2:1	Dimensions without tolerances DIN ISO 2768 mK	Checked 13.07.2020 Klinkner	Document No.:			
old	-	product family: 2008/0027		China	Supplier drawing separately			Surface finish DIN EN ISO 1302	We reserve all rights to this document, to any patents or patent registrations related hereto, and to the duplication, retransmission by third parties and misc. use. Any use of this document is not permitted without the written consent of STABILUS.			10151837			
Field	-	B/5		B/6/F8	-			Replaces:	Material No.:						
Date/Name	21.01.2016 Höfer	04.03.2016 Hein		19.04.2017 Höfer	03.06.2020 Höfer				PISTON ROD						
Chg. No.	632605	634815		655526	688810										
Rev.	7	8		9	10			STABILUS							



SIGNATURE ELECTRONICALLY GENERATED