

The print-out is not subject to the modification service.

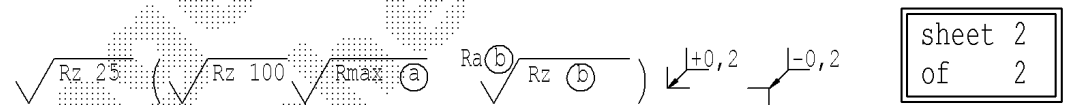
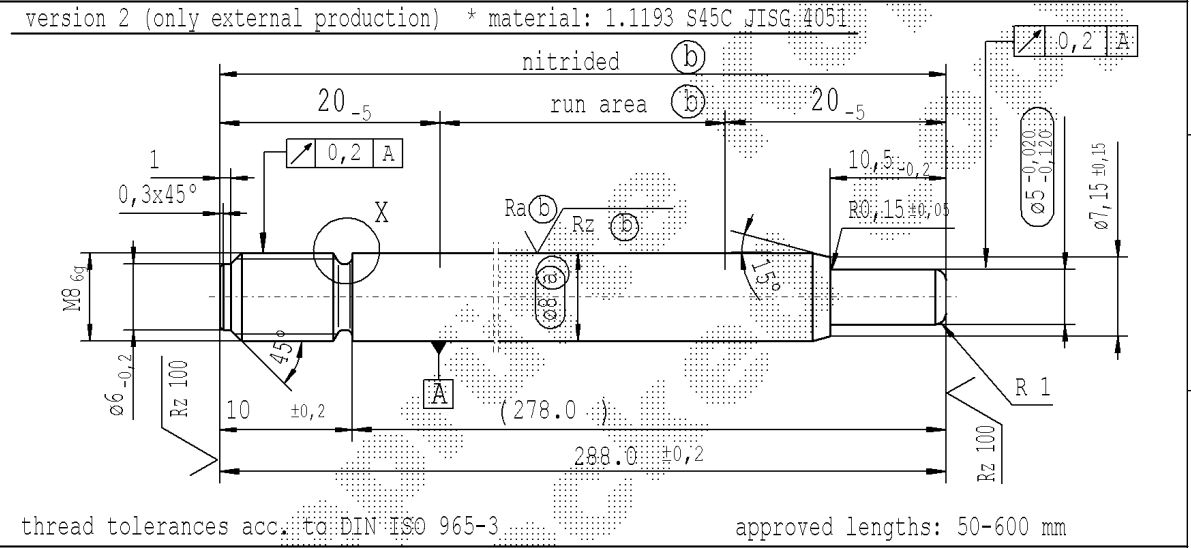
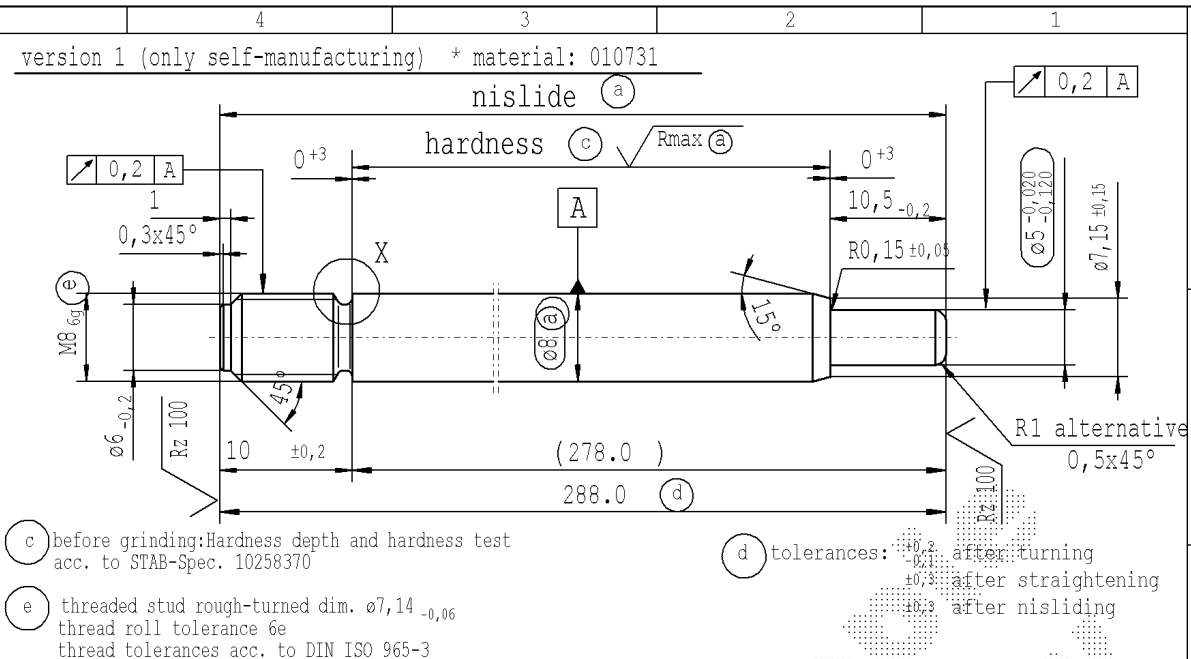
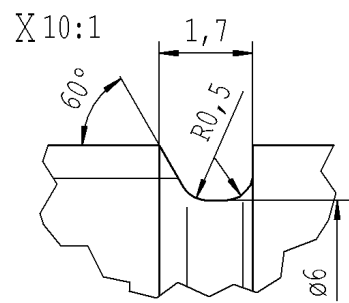
Intended for internal and supplier use

EN

Ident. Doc.:

Date/Name

supp No.	material no.			A	B	E
	10006248 Tab. XVI optimized version 1	10006248 Tab. X version 1	10028959 Tab. I version 2			
24	436695	436695	436695	234.0	10	224.0
25	977076	977076	977076	294.0	9	285.0
26	899641	899641	899641	339.0	9	330.0
27	036613	036613	036613	333.0	9	324.0
28	261512	261512	261512	270.0	9	261.0
29	417101	417101	417101	270.0	11	259.0
30	559306	559306	559306	246.0	9	237.0
31	649887	649887	649887	240.0	9	231.0
32	296170	296170	296170	306.0	9	297.0
33	352336	352336	352336	342.0	9	333.0
34	062908	062908	062908	288.0	10	278.0



DE: X				EN: X				ES:				IT:				PR:				FR:				RO: X				CAD created document handwritten changes not permitted												Material: * All dimensions are in mm												Environmental protection acc. to STAB-Spec. 10005649															
new				© = acc. STAB-Spec. 10258370				new format Internal/Supplier				Tab XVI no technical change, no new first sample required				old				© = RHT 0,4 0,7 mm				Supplier drawing separately				Tab IV				Edge tolerances acc. to DIN ISO 13715												Marking of special characteristics according to STAB-Spec. 10270932												Date Name											
Field				B 4-5				-				F 8				Surface Finish: DIN EN ISO 1302												Scale: (Original DIN A3) 2:1												Dimensions without tolerances DIN ISO 2768-mK												Drawn by 17.01.2008 Höfer															
Date/Name				15.05.2019 Donat				14.07.2020 Höfer				12.08.2021 Donat				Replaces:												We reserve all rights to this document, to any patents or patent registrations related hereto, and to the duplication, retransmission by third parties and misc. use. Any use of this document is not permitted without the written consent of STABILUS.												Document No.: 10152007																											
Chg. No.				678703				690131				699704				STABILUS												PISTON ROD												Material No.:																											
Rev.				6				7				7																																																							