

The print-out is not subject to the modification service.

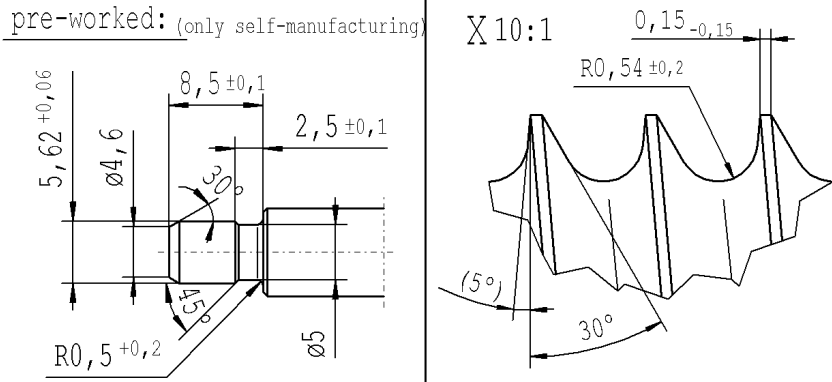
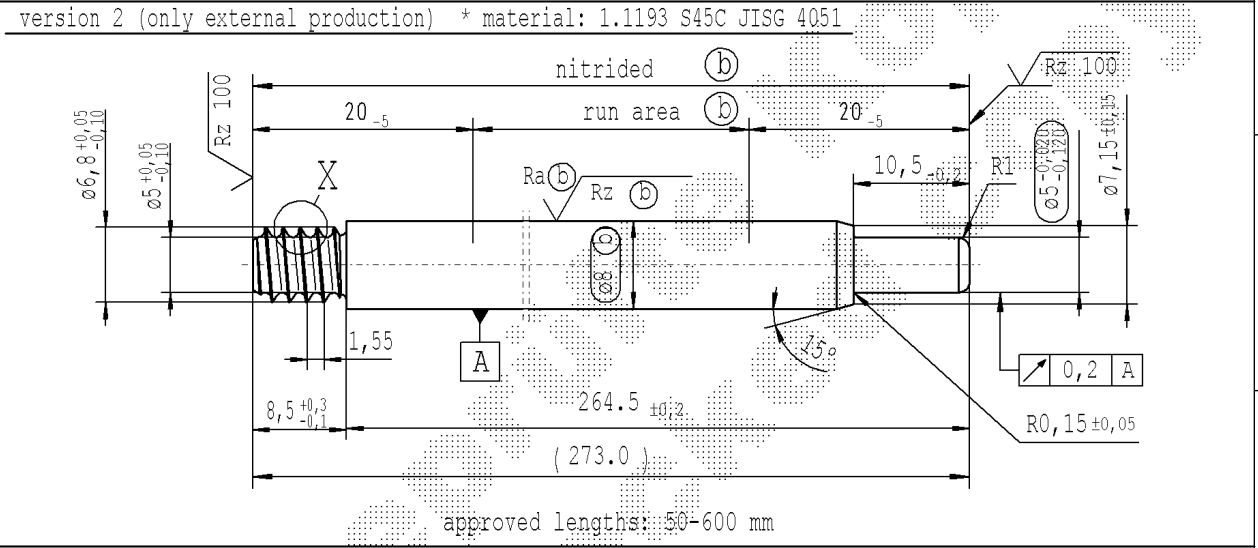
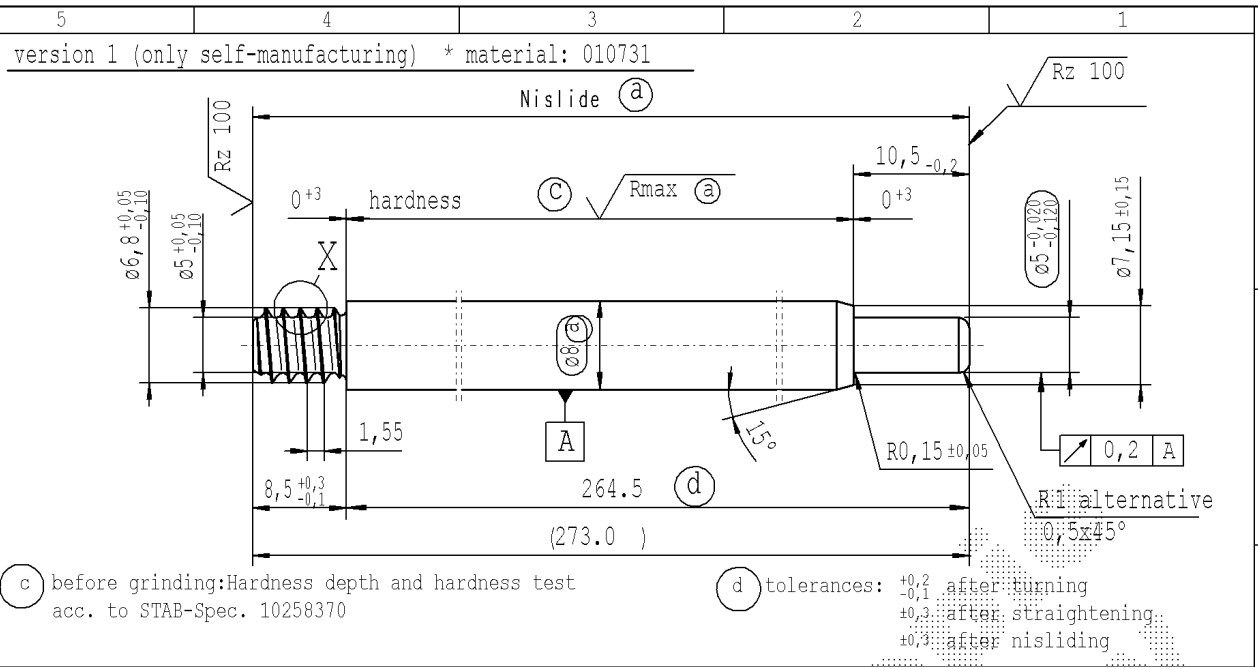
Intended for internal and supplier use

EN

Ident. Doc.:

Date/Name

supp No.	material no. (a)	material no. (b)	A	E
	10006248 Tab. XVI version 1	10028959 Tab. I version 2	overall length	length without endfitting stud
39	495016	495016	265.0	256.5
40	497406	497406	216.0	207.5
41	500274	500274	198.0	189.5
42	504576	504576	273.0	264.5
43	507683	507683	288.0	279.5
44	732104	732104	279.0	270.5
45	768432	768432	348.0	339.5
46	782055	782055	108.0	99.5
47	789464	789464	276.0	267.5
48	798785	798785	223.0	214.5
49	800458	800458	387.0	378.5
52	802848	802848	336.0	327.5
53	808584	808584	135.0	126.5
54	812169	812169	377.0	368.5
55	857818	857818	201.0	192.5
56	866900	866900	345.0	336.5
57	869051	869051	192.0	183.5
58	878133	878133	243.0	234.5
59	935254	935254	199.0	190.5



DE: X		EN: X	ES:	IT:	PR: X	FR:	RO: X	CAD created document handwritten changes not permitted		Material: *	All dimensions are in mm			Marking of special characteristics according to STAB-Spec. 10270932		Date	Name
new		±0,2 no technical change, no new first sample required		(5°) no technical change, no new first sample required		5°		Edge tolerances acc. to DIN ISO 13715		Scale: (Original DIN A3) 2:1		Dimensions without tolerances DIN ISO 2768-mK		Drawn by		30.03.2017	yamuellet
old		⊕		B/3		B/6-7		Surface finish: DIN EN ISO 1302		We reserve all rights to this document, to any patents or patent registrations related hereto, and to the duplication, retransmission by third parties and misc. use. Any use of this document is not permitted without the written consent of STABILUS.		Checked		08.04.2021		Klinkner	
Field		03.02.2021 Hein		08.04.2021 Hein		Replaces:		STABILUS		PISTON ROD		Document No.:		10243257		Material No.:	
Date/Name		694938		694938		5		5									
Chg. No.		5		5													
Rev.																	

sheet 3 of 6