

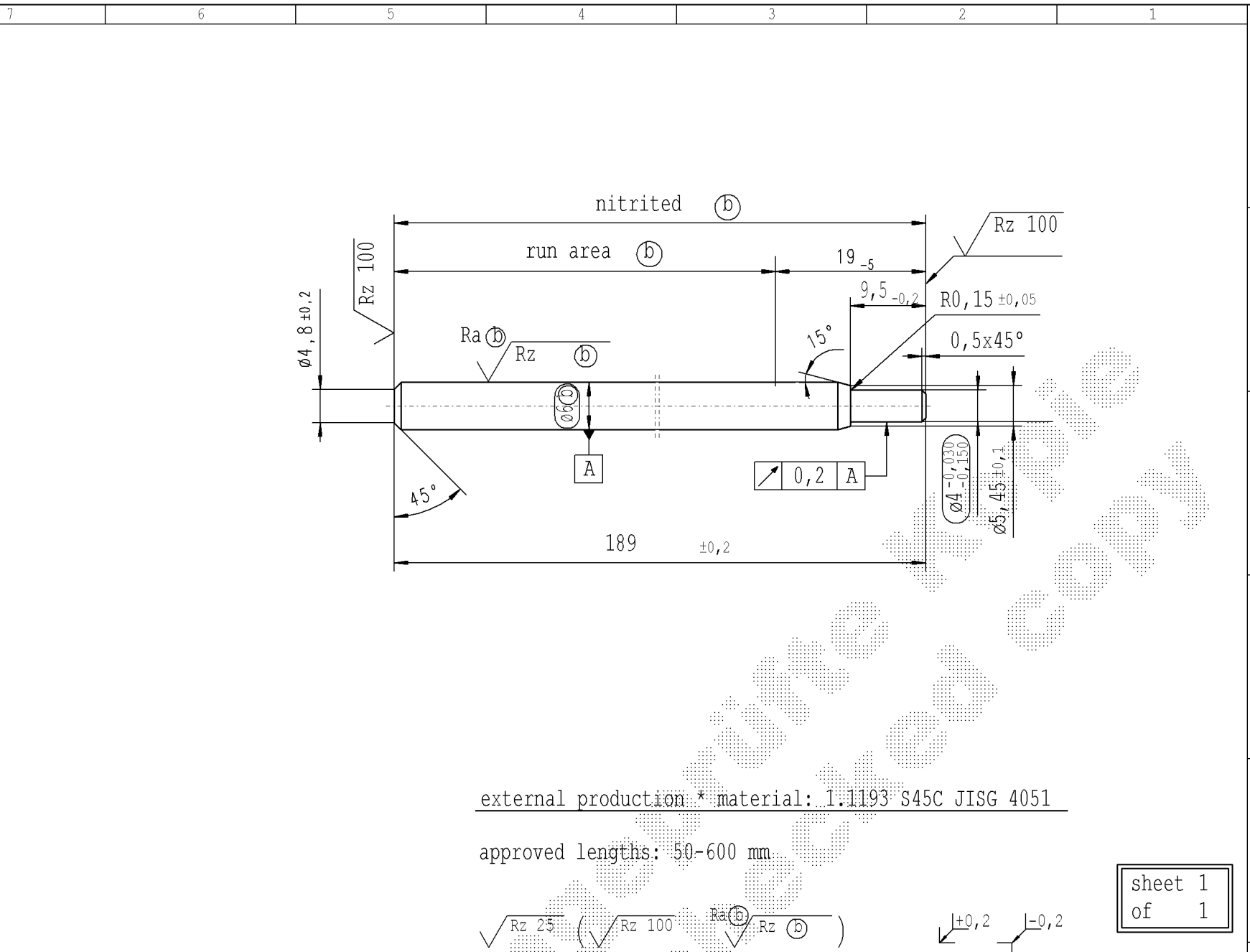
The print-out is not subject to the modification service.

Intended for internal and supplier use

Brestelldatum: 7/9/2021 - 11:15

Ident. Doc.:

| supp. No. | material no. | A |
|-----------|--|----------------|
| | Surface treatment STAB-Spec. 10028959 Tab.I (b) | overall length |
| 1 | 006127 | 78 |
| 4 | 005974 | 96 |
| 5 | 006182 | 138 |
| 6 | 924947 | 480 |
| 8 | 276309 | 186 |
| 9 | 279177 | 117 |
| 10 | 311920 | 156 |
| 11 | 888152 | 85 |
| 12 | 756710 | 153 |
| 13 | 809529 | 75 |
| 14 | 809768 | 123 |
| 15 | 182633 | 93 |
| 16 | 252187 | 102 |
| 17 | 336554 | 135 |
| 18 | 807865 | 147 |
| 19 | 426422 | 249 |
| 20 | 335603 | 72 |
| 21 | 804760 | 81 |
| 22 | 184317 | 189 |
| 23 | 538993 | 57 |
| 24 | 545207 | 195 |
| 25 | 545685 | 270 |
| 26 | 546641 | 183 |
| 27 | 547119 | 210 |
| 28 | 663513 | 165 |
| 29 | 664947 | 168 |
| 30 | 666142 | 120 |
| 31 | 164721 | 177 |



external production * material: 1.1193 S45C JISG 4051

approved lengths: 50-600 mm

sheet 1
of 1

| | | | | | | | | | | | | | | | | | | | |
|-----------------|--|-----|-----|-----|--|------------------|--|------------------------------|--|--|--|-------------|--|--|--|--|--|--|--|
| A | | | | | AIAG CQI-standards acc. to STAB-Spec. 10027692 | | | | | Environmental protection acc. to STAB-Spec. 10005649 | | | | | | | | | |
| DE: X | EN: X | ES: | IT: | PR: | FR: | RO: X | CAD created document handwritten changes not permitted | | | | | Material: * | | | | | | | |
| new | product family: 2014/0317 / approved lengths: 100-600 mm | | | | | revised | ZhangShi | new format Internal/Supplier | | | | | All dimensions are in mm | | | | | | |
| old | - | | | | | - | China | Supplier drawing separately | | | | | Marking of special characteristics according to STAB-Spec. 10270932 | | | | | | |
| Field | C-D/4-6 | | | | | - | B6/F8 | - | | | | | Scale: (Original DIN A3) 2:1 | | | | | | |
| Date/Name | 27.06.2014 Hein | | | | | 20.01.2016 Höfer | 19.04.2017 Höfer | 06.11.2020 Hein | | | | | Dimensions without tolerances DIN ISO 2768-mK | | | | | | |
| Chg. No. | 614628 | | | | | 632605 | 655526 | 691604 | | | | | We reserve all rights to this document, to any patents or patent registrations related hereto, and to the duplication, retransmission by third parties and misc. use. Any use of this document is not permitted without the written consent of STABILUS. | | | | | | |
| Rev. | 5 | | | | | 6 | 7 | 8 | | | | | Document No.: 10154979 | | | | | | |
| STABILUS | | | | | | | | | | PISTON ROD | | | | | | | | | |
| | | | | | | | | | | Material No.: | | | | | | | | | |