

The print-out is not subject to the modification service.

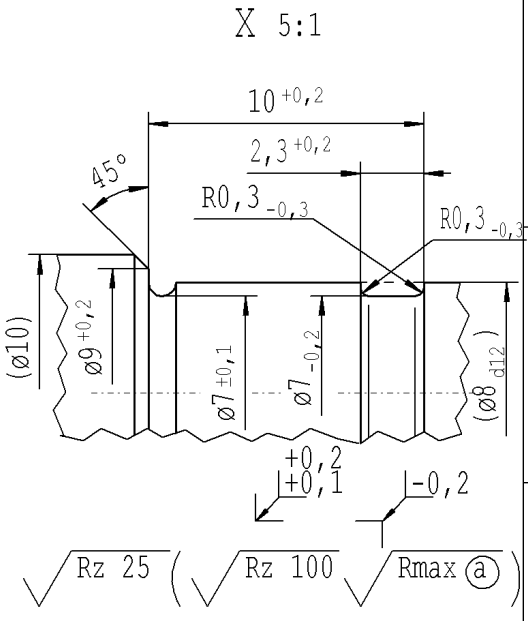
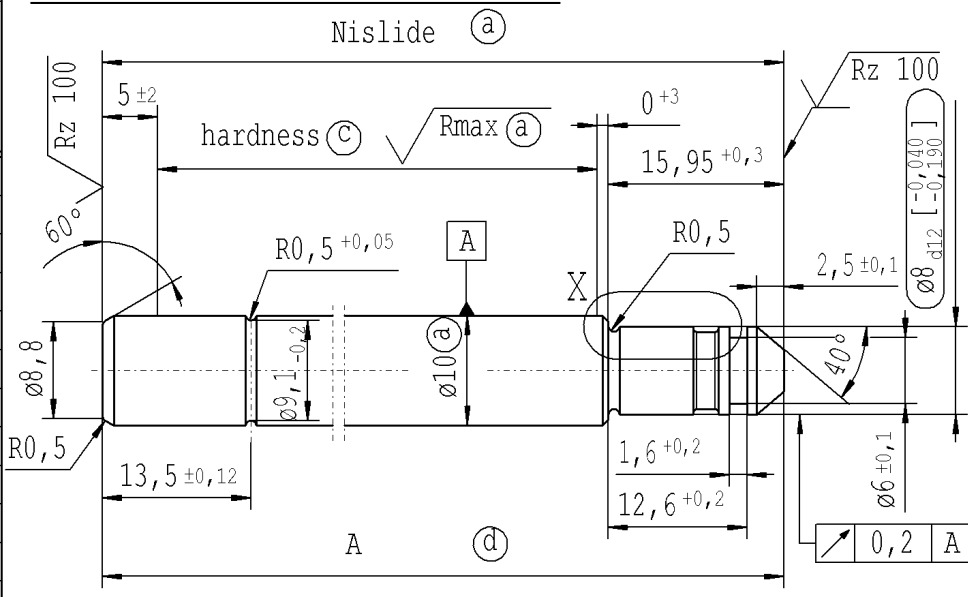
Intended for internal and external use

EN

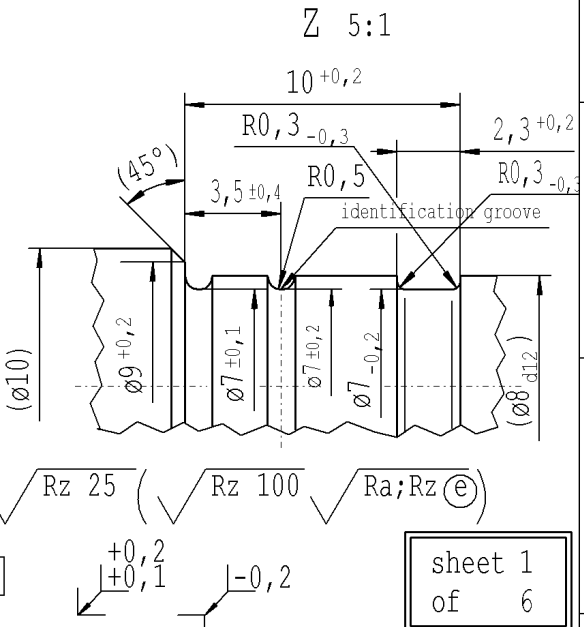
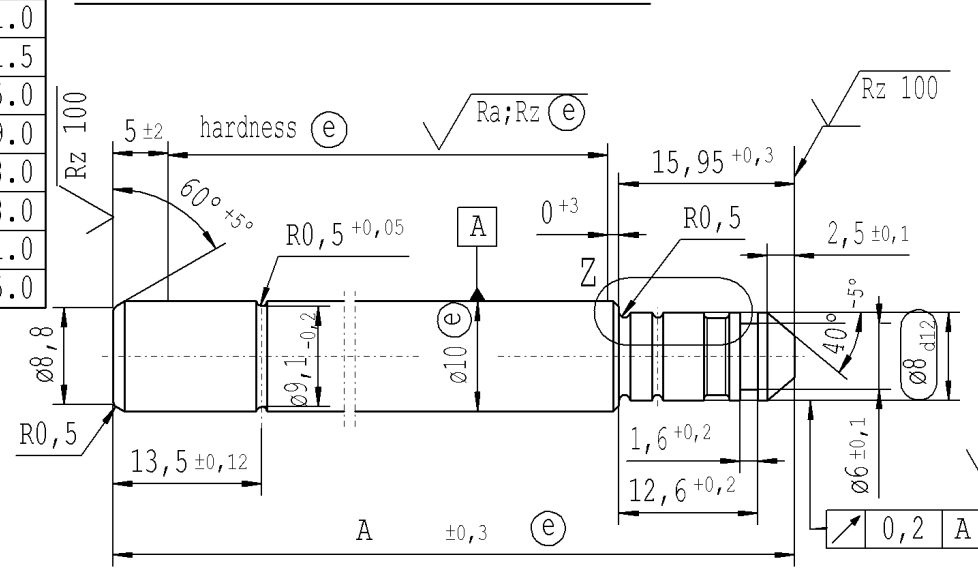
Ident. Doc.:

supp No.	material no.		A
	surface treatment processing acc. to STAB-Spec. 10006248 table V Nislide light	surface treatment processing acc. to STAB-Spec. 10028959 table II	
	Version 1	Version 2	overall length
1	1993TA	1993TA	194.0
3	1991TK	1991TK	179.0
4	7953TD	7953TD	323.0
5	8331TF	8331TF	170.0
8	8489TJ	8489TJ	134.0
9	8328TD	8328TD	149.0
10	8532TN	8532TN	158.0
12	8501TJ	8501TJ	176.0
15	8425TL	8425TL	188.0
18	8429TS	8429TS	200.0
21	8677UH	8677UH	213.5
24	3798UX	3798UX	329.0
29	8652TV	8652TV	189.5
33	9858TX	9858TX	181.0
34	2492UB	2492UB	191.5
35	1511VY	1511VY	205.0
36	7788VU	7788VU	159.0
38	5573ZL	5573ZL	308.0
39	5764ZZ	5764ZZ	198.0
40	5906ZK	5906ZK	261.0
42	8763ZG	8763ZG	165.0

Version 1 (only self-manufacturing)



Version 2 (only external manufacturing)



Ⓒ before grinding:
Hardness depth and hardness test acc. to STAB-Spec. 10258370

Ⓓ tolerance $\begin{matrix} +0,2 \\ -0,1 \end{matrix}$ after turning
 $\pm 0,3$ after straightening
 $\pm 0,3$ after nisliding

sheet 1
of 6

Environmental protection acc. to STAB-Spec. 10005649

DE: X	EN: X	ES:	IT:	PR:	FR:	RO: X	CAD created document; handwritten changes not permitted
new	3,5±0,4	.8619TK	8652TV; 8711YN; 90527B; 90877M; 9858TX; 2492UB; 1511VY; 7788VU	Ⓒ = acc. STAB-Spec. 10258370	new format Internal/Supplier		
old	3,5±0,2	DOK 10023735 Pos.29	was on Dok.10023735	Ⓒ = RHT 0,4 0,7 mm	Supplier drawing separately		
Field	E2	Pos.28	Tab.Pos. 29-36	B 7-8	-		
Date/Name	25.10.06 KeB.	12.01.2007 H8	24.4.07 ReB.	14.05.2019 Jablonski	10.02.2021 Jablonski		
Chg. No.	548667	554410	556213	678684	695144		
Rev.	4	5	6	7	8		

Material: Version 1: Mat.No. 010715 Version 2 : 1.1193	All dimensions are in mm	Marking of special characteristics according to STAB-Spec. 10270932	Date 11.02.2005	Name KeBelheim
Edge tolerances acc. to DIN ISO 13715	Scale: (Original DIN A3) 2:1	Dimensions without tolerances DIN ISO 2768 mK	Checked 10.02.2021	C.Banciu
Surface finish DIN EN ISO 1302	We reserve all rights to this document, to any patents or patent registrations related hereto, and to the duplication, retransmission by third parties and misc. use. Any use of this document is not permitted without the written consent of STABILUS.		Document No.: 10028756	
Replaces:	STABILUS		Material No.:	

PISTON ROD	
-------------------	--