

The print-out is not subject to the modification service.

Intended for internal and external use

EN

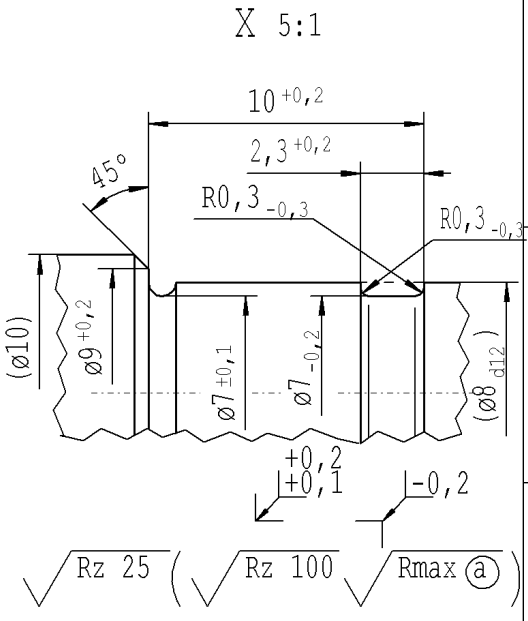
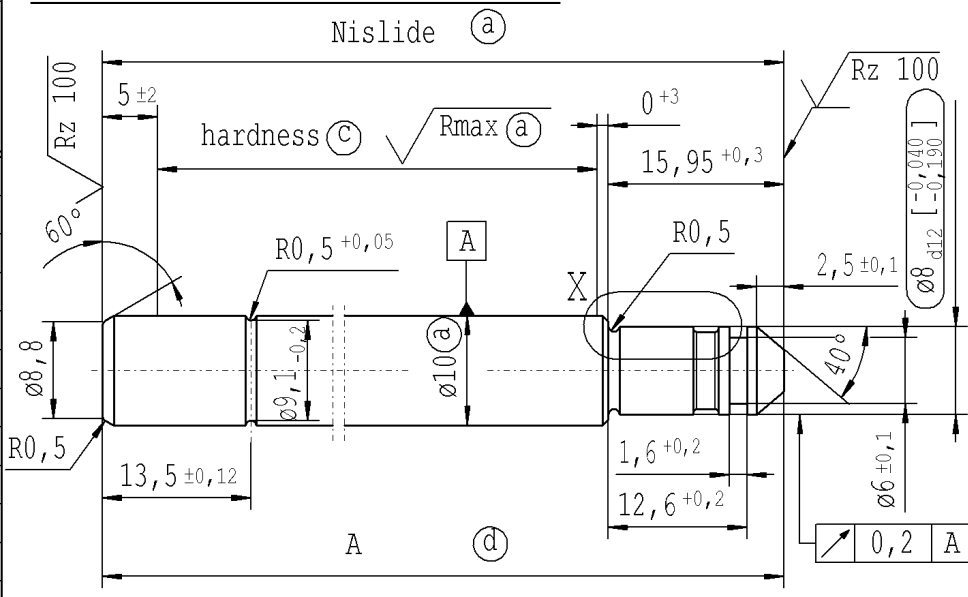
B

A

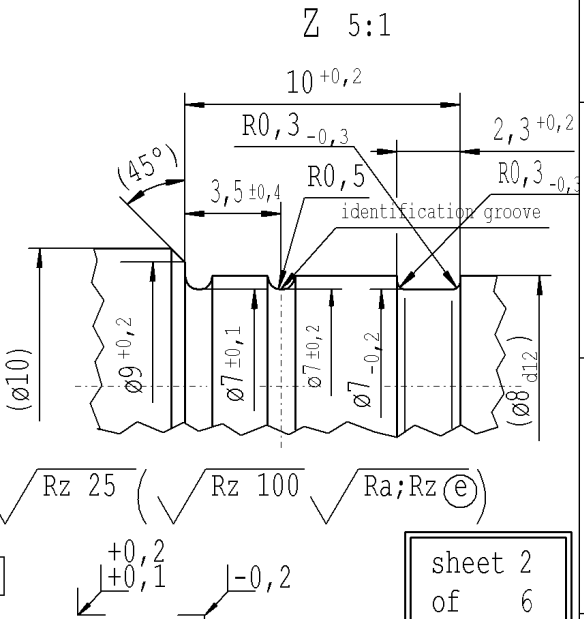
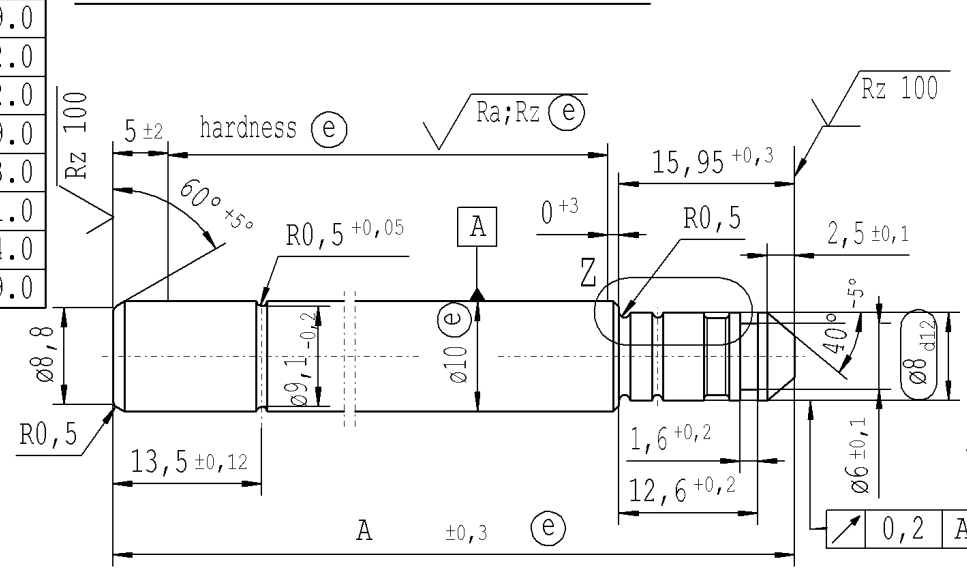
Ident. Doc.:

supp No.	material no.		A
	surface treatment processing acc. to STAB-Spec. 10006248 table V Nislide light	surface treatment processing acc. to STAB-Spec. 10028959 table II	
	Version 1	Version 2	overall length
43	9382ZT	9382ZT	168.0
44	9389ZL	9389ZL	174.0
45	9454ZU	9454ZU	186.0
46	9681ZD	9681ZD	177.0
47	9903ZU	9903ZU	184.0
48	001133	001133	144.0
54	001796	001796	141.0
55	001800	001800	328.0
56	002053	002053	156.0
57	002154	002154	153.0
58	002229	002229	126.0
59	002231	002231	138.0
61	002237	002237	423.0
62	002239	002239	279.0
63	002255	002255	222.0
64	002274	002274	162.0
65	002294	002294	219.0
66	002341	002341	213.0
67	002366	002366	231.0
68	002376	002376	234.0
69	002397	002397	249.0

Version 1 (only self-manufacturing)



Version 2 (only external manufacturing)



Ⓒ before grinding:  
Hardness depth and hardness test acc. to STAB-Spec. 10258370

Ⓓ tolerance  $\begin{matrix} +0,2 \\ -0,1 \end{matrix}$  after turning  
 $\pm 0,3$  after straightening  
 $\pm 0,3$  after nisliding

sheet 2  
of 6

Environmental protection acc. to STAB-Spec. 10005649

DE: X	EN: X	ES:	IT:	PR:	FR:	RO: X	CAD created document; handwritten changes not permitted
new	3,5±0,4	.8619TK	8652TV;8711YN;90527B;90877M;9658PX;2492UB;1511V;7788VU	Ⓒ = acc. STAB-Spec. 10258370	new format Internal/Supplier		
old	3,5±0,2	DOK 10023735 Pos.29	was on Dok.10023735	Ⓒ = RHT 0,4 .... 0,7 mm	Supplier drawing separately		
Field	E2	Pos.28	Tab.Pos. 29-36	B 7-8	-		
Date/Name	25.10.06 Keß.	12.01.2007 Hß	24.4.07 Reß.	14.05.2019 Jablonski	10.02.2021 Jablonski		
Chg. No.	548667	554410	556213	678684	695144		
Rev.	4	5	6	7	8		

Material: Version 1: Mat.No. 010715 Version 2 : 1.1193	All dimensions are in mm	Marking of special characteristics according to STAB-Spec. 10270932	Date	Name
Edge tolerances acc. to DIN ISO 13715	Scale: (Original DIN A3) 2:1	Dimensions without tolerances DIN ISO 2768 mK	11.02.2005	Keßelheim
Surface finish DIN EN ISO 1302	Replaces:	We reserve all rights to this document, to any patents or patent registrations related hereto, and to the duplication, retransmission by third parties and misc. use. Any use of this document is not permitted without the written consent of STABILUS.	10.02.2021	C.Banciu
	<b>STABILUS</b>		10028756	

PISTON ROD		Material No.:
------------	--	---------------