

The print-out is not subject to the modification service.

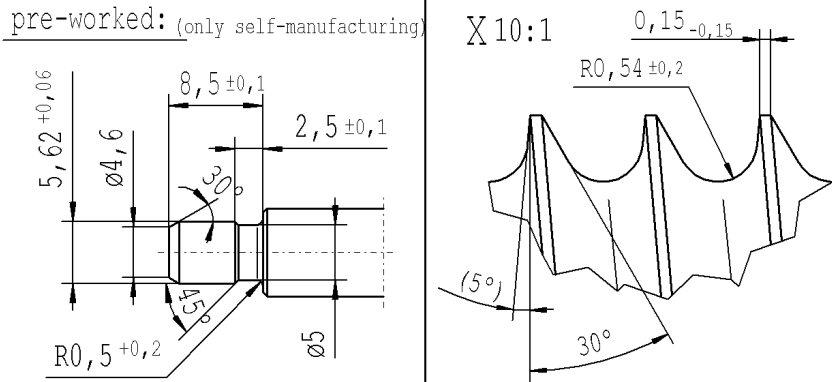
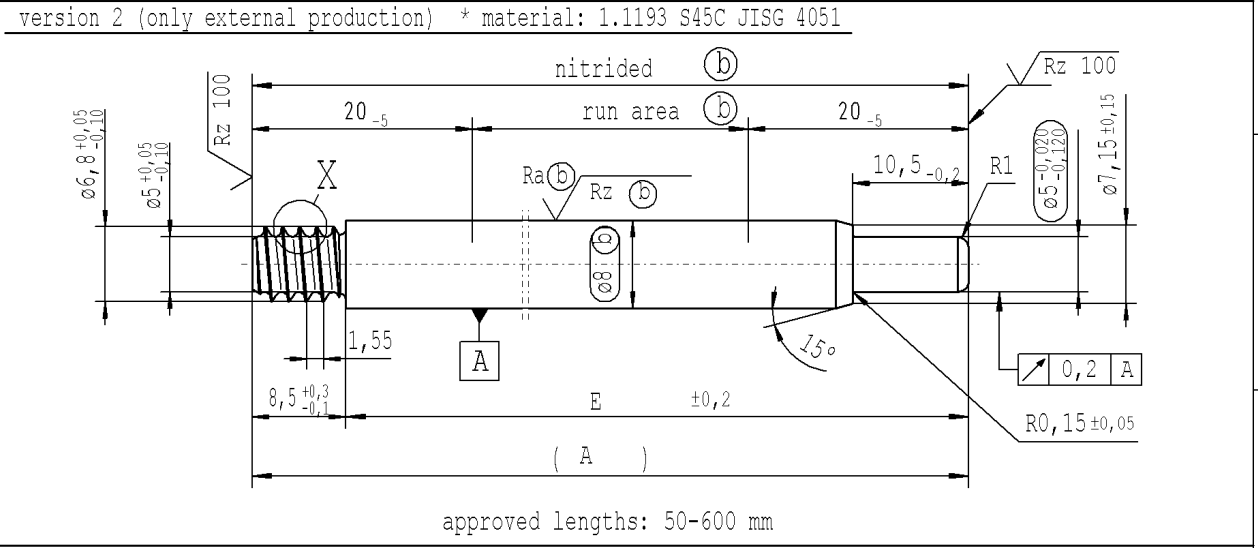
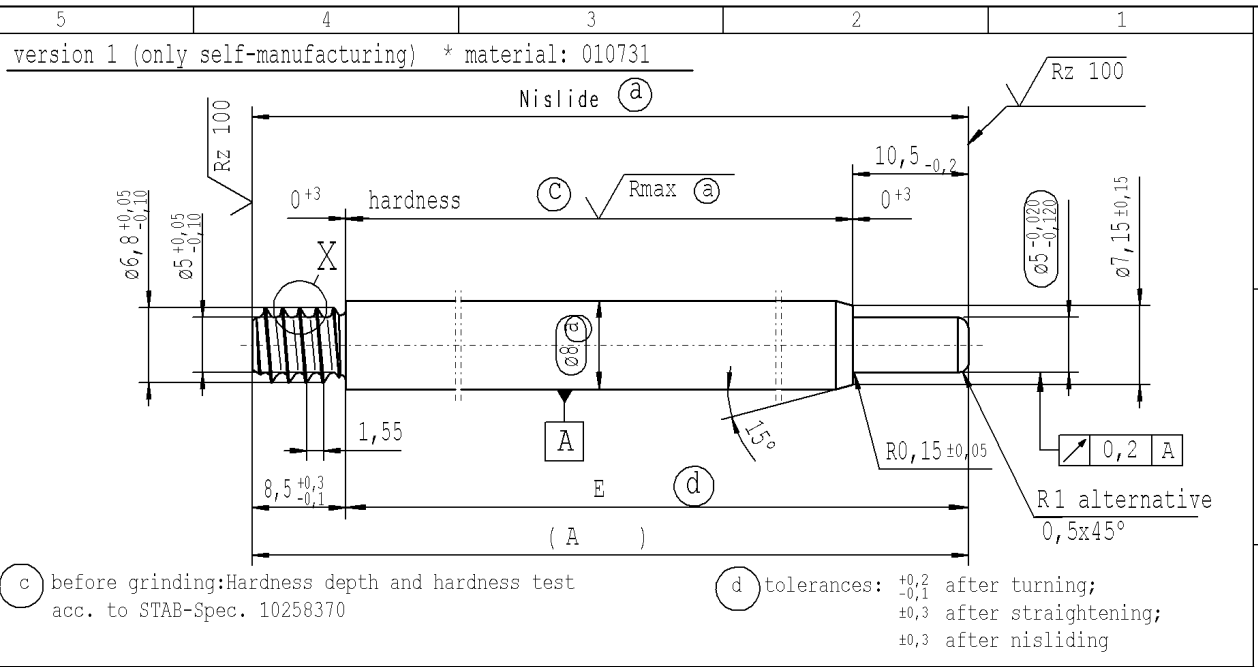
Intended for internal and supplier use

EN

Ident. Doc.:

Date/Name

supp No.	material no.			A	E
	processing and surface treatment acc. to STAB-Spec. 10006248 Tab. XVI optimized version 1	10006248 Tab. X version 1	10028959 Tab. I version 2	overall length	length without endfitting stud
168	147710	147710	147710	189.0	180.5
169	460800	460800	460800	252.0	243.5
170	894586	894586	894586	243.0	234.5
171		688090	688090	288.0	279.5
172	143171	143171	143171	234.0	225.5
173	261476	261476	261476	108.0	99.5
174	333177	333177	333177	262.5	254.0
175	333416	333416	333416	171.0	162.5
176	337957	337957	337957	324.0	315.5
179	390298	390298	390298	384.0	375.5
180	391254	391254	391254	195.0	186.5
181	050919	050919	050919	223.0	214.5
182	124770	124770	124770	141.0	132.5
184	791580	791580	791580	129.0	120.5
185	821455	821455	821455	219.0	210.5
186	829103	829103	829103	377.0	368.5
187	147715	147715	147715	312.5	304.0
188	919685	919685	919685	279.0	270.5
189	991863	991863	991863	327.0	318.5



$\sqrt{Rz 25}$  ( $\sqrt{Rz 100}$   $\sqrt{Rmax}$  (a)  $Ra$  (b)  $Rz$  (b))  $\pm 0.2$   $-0.2$

sheet 9 of 16

AIAG CQI-standards acc. to STAB-Spec. 10027692				Environmental protection acc. to STAB-Spec. 10005649								
DE: X	EN: X	ES:	IT:	PR: X	FR:	RO: X	CAD created document; handwritten changes not permitted	Material: *	All dimensions are in mm	Marking of special characteristics according to STAB-Spec. 10270932	Date	Name
new	(5°); no technical change, no new first sample required			Tab XVI; no technical change, no new first sample required							05.12.2007	Höfer
old	5°			Tab IV;							12.08.2021	Milles
Field	B/6-7			F 8								
Date/Name	31.03.2021 Hein			12.08.2021 Donat								
Chg. No.	696924			699704								
Rev.	21			21								
<b>STABILUS</b>								<b>PISTON ROD</b>				
								Document No.: 10151065 Material No.:				