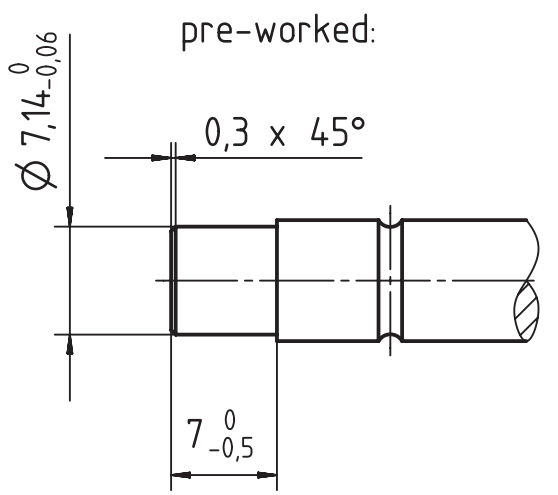
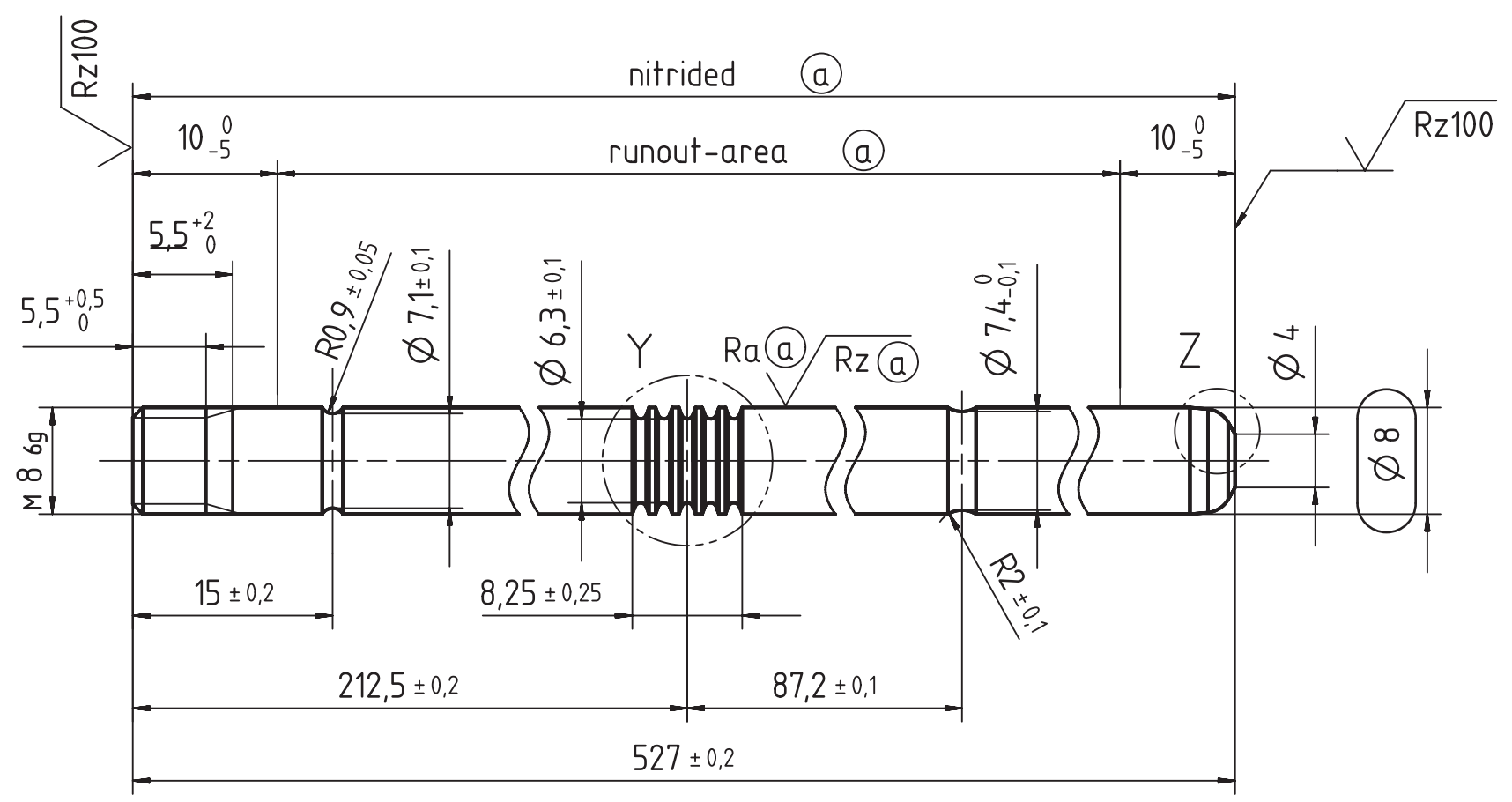
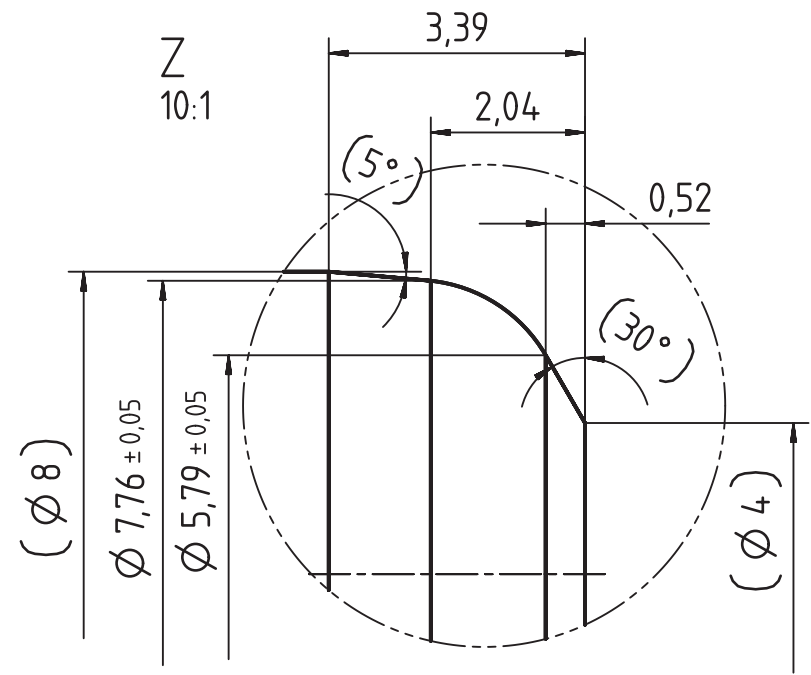
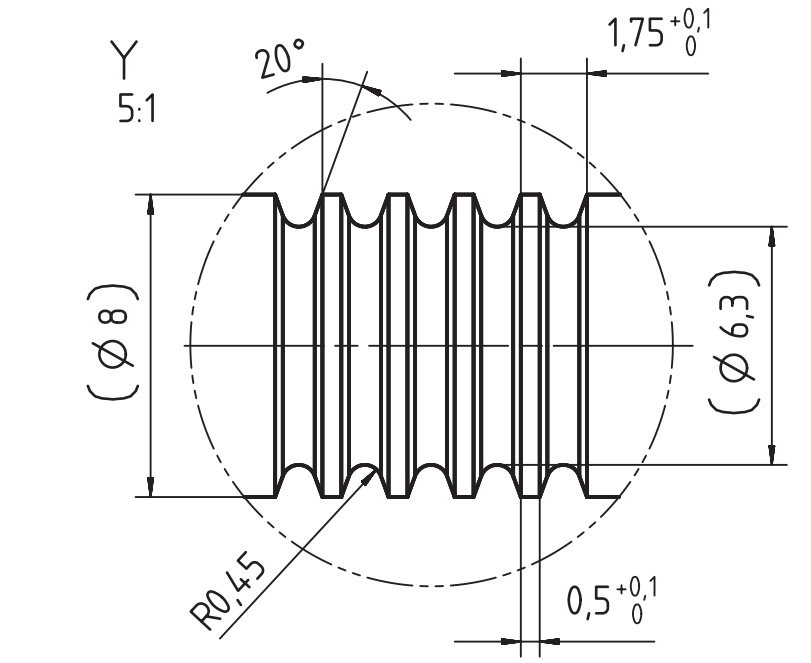


Intended for internal and supplier use. The print-out is not subject to the modification service

EN

CAD-SYSTEM UNIGRAPHICS ID:10000168663\_UGD\_001\_06

Ⓐ piston rod processing acc. to STAB-Spec. 10028959, table 1



$\sqrt{Rz25}$  ( $\sqrt{Rz100}$   $Ra \text{ Ⓐ}$   $Rz \text{ Ⓐ}$ )  $\begin{matrix} +0,2 \\ -0,2 \end{matrix}$

DE: X	EN: X	ES:	IT:	PT:	FR:	RO:
new	INITIAL RELEASE					
old	-					
Field	-					
Date/Name	31.01.2022 Jablonski					
Change No	706406					
Revision	0					

**RELEASE**  
 for supplier  
**ZHANGSHI**  
 / Pomin,H.  
 (date / signature)

AIAG CQI-standards acc. to STAB-Spec. 10027692		Environmental protection acc. to STAB-Spec. 10005649	
Material: 1.1193 S45C JISG 4051	All dimensions are in mm	Marking of special characteristics acc. to STAB-Spec. 10270932	Date 31.01.2022
Edge tolerances acc. to DIN ISO 13715	Scale: (Original DIN A3) 2:1	Dimensions without tolerances DIN ISO 2768-mK	Name Jablonski,N
Surface finish DIN EN ISO 1302	We reserve all rights to this document, to any patents or patent registrations related hereto, and to the duplication, retransmission by third parties and misc. use. Any use of this document is not permitted without the written consent of STABILUS. CAD created document; handwritten changes not permitted		Checked Rennecke,D.
Replaces: Change-No. -	<b>STABILUS</b> PISTON ROD		Document No.: 10259050
			Material No.: 858526