

The print-out is not subject to the modification service.

Intended for internal and supplier use

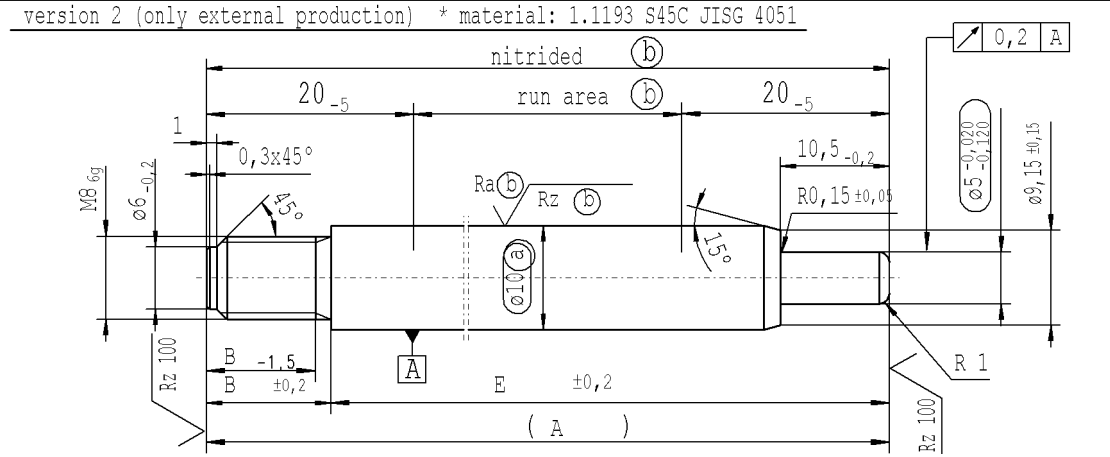
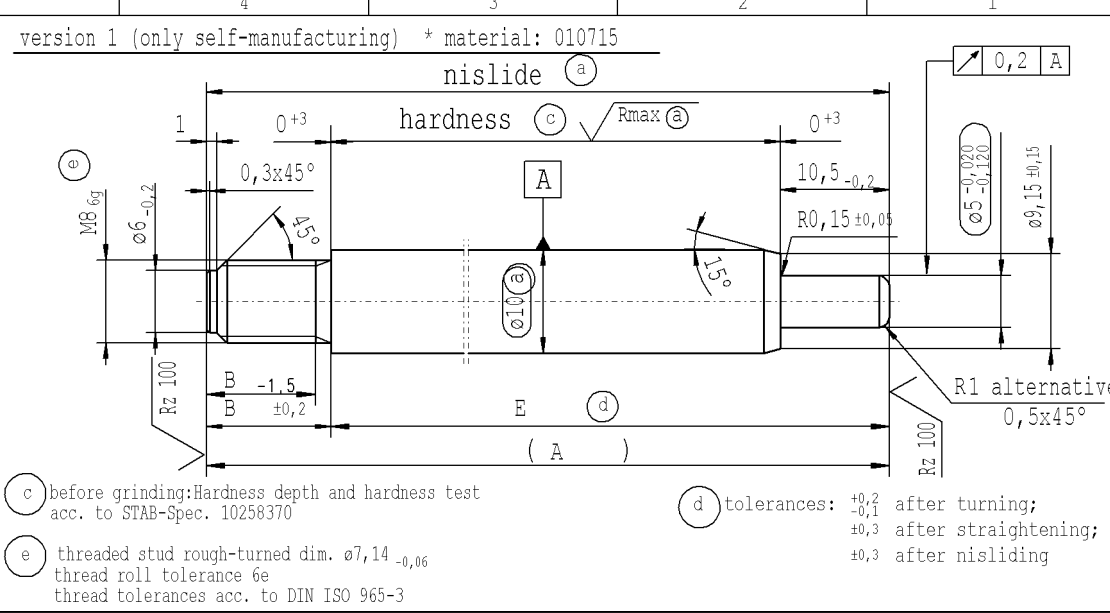
EN

Erzteilname: 22/2/2022 - 6:35

Ident. Doc.:

supp No.	material no.			A	B	E
	processing and surface treatment acc. to STAB-Spec.					
	10006248 Tab. XVI optimized (a) version 1	10006248 Tab. X (a) version 1	10028959 Tab. I (b) version 2	overall length	thread length	length without end-fitting stud
89	314097	314097	314097	273.0	10	263.0
90	322223	322223	322223	255.0	12	243.0
91	323418	323418	323418	243.0	12	231.0
92	335846	335846	335846	396.0	12	384.0
93	597551	597551	597551	180.0	10	170.0
94	637225	637225	637225	168.0	12	156.0
95	884112	884112	884112	246.0	10	236.0
96	893911	893911	893911	240.0	12	228.0
97	927849	927849	927849	648.0	12	636.0
98	963699	963699	963699	256.5	12	244.5
99	964177	964177	964177	564.0	12	552.0
100	044506	044506	044506	222.0	12	210.0
101	047374	047374	047374	417.0	12	405.0
102	064104	064104	064104	522.0	10	512.0
103	064821	064821	064821	498.0	10	488.0
104	065777	065777	065777	258.0	10	248.0
105	066255	066255	066255	339.0	10	329.0
106	069840	069840	069840	402.0	10	392.0
107	071035	071035	071035	228.0	10	218.0
108	075576	075576	075576	111.0	10	101.0

xxx | xxxxxx | xxxxxx | xxxxxx | 564 | 10 | 554



thread tolerances acc. to DIN ISO 965-3 approved lengths: 50-600 mm

$\sqrt{Rz\ 25}$ ($\sqrt{Rz\ 100}$ $\sqrt{Rmax\ (a)}$ $\sqrt{Ra\ (b)}$ $\sqrt{Rz\ (b)}$) $\downarrow +0,2$ $\downarrow -0,2$

sheet 4 of 4

AIAG CQI-standards acc. to STAB-Spec. 10027692				Environmental protection acc. to STAB-Spec. 10005649			
DE: X	EN: X	ES:	IT:	PR:	FR:	RO: X	Material: *
new	Ⓢ = acc. STAB-Spec. 10258370	new format Internal/Supplier		Tab XVI; no technical change, no new first sample required			All dimensions are in mm
old	Ⓢ = RHT 0,4 0,7 mm	Supplier drawing separately		Tab IV;			Marking of special characteristics according to STAB-Spec. 10270932
Field	B 7-8		-		F 8		Scale: (Original DIN A3) 2:1
Date/Name	15.05.2019 Donat		08.06.2020 Höfer		16.08.2021 Donat		Dimensions without tolerances DIN ISO 2768-mK
Chg. No.	678703		688987		699704		We reserve all rights to this document, to any patents or patent registrations related hereto, and to the duplication, retransmission by third parties and misc. use. Any use of this document is not permitted without the written consent of STABILUS.
Rev.	3		4		4		Document No.: 10166619
				STABILUS		PISTON ROD	
						Material No.:	

