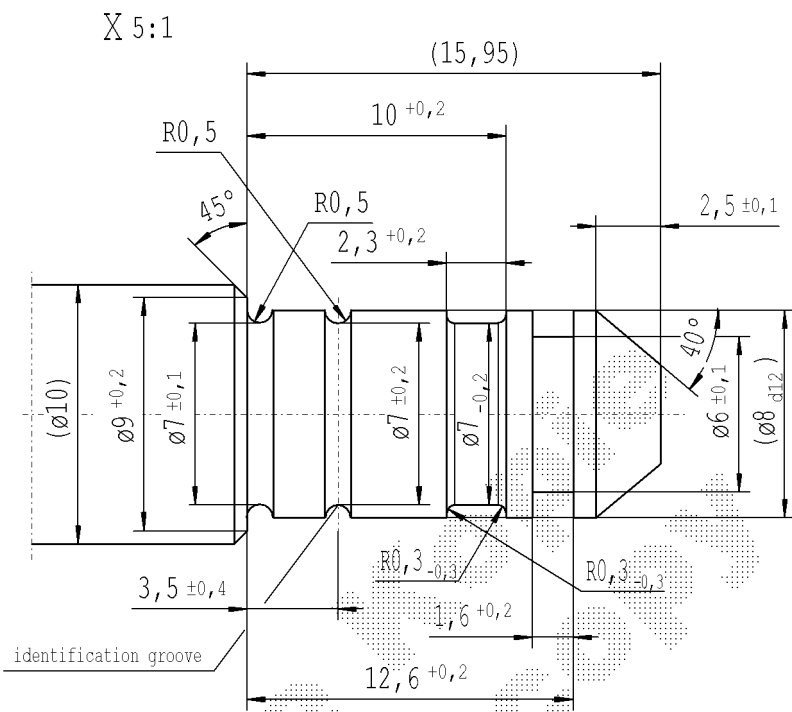
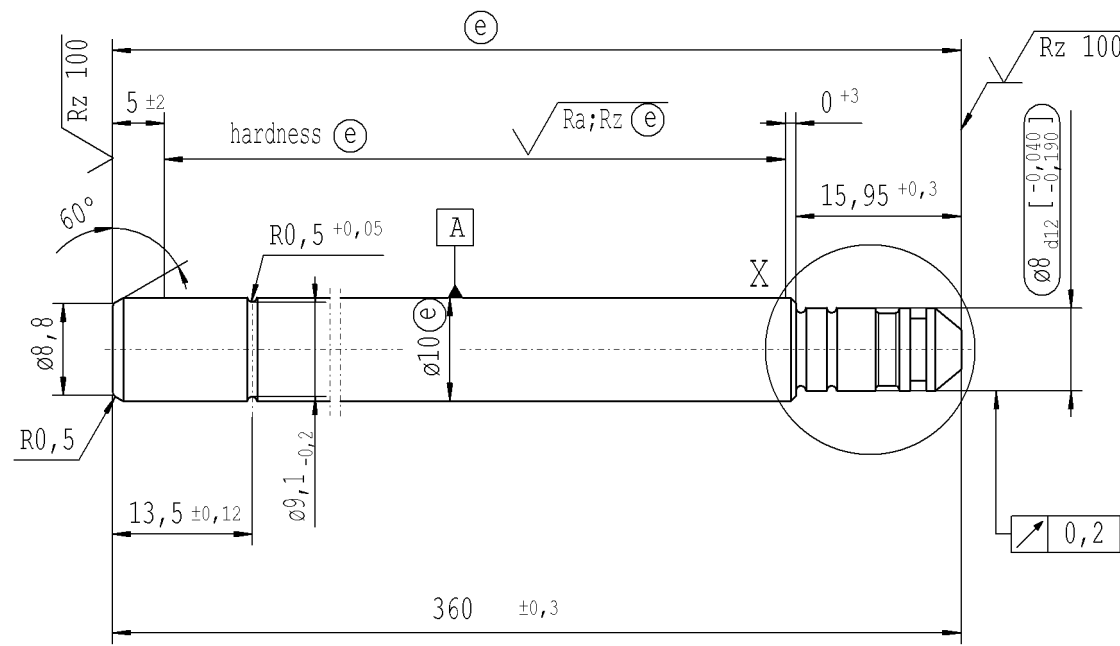


The print-out is not subject to the modification service.

Intended for internal and supplier use

EN



(e) piston rod processing acc.to STAB-Spec.10028959 Table II

RELEASE
for supplier
company: Zhangshi
Machinery Co.

+0,2
+0,1
-0,2
Rz 25 (Rz 100 Ra;Rz (e))

Environmental protection acc. to STAB-Spec. 10005649

Ident. Doc.:

| | | | | | | | | | | | | |
|-----------|-----------------|-----|-----|-----|-----|-----|---|---------------------------------------|--|--|------------------------|-----------|
| DE: X | EN: X | ES: | IT: | PR: | FR: | RO: | CAD created document; handwritten changes not permitted | Material: 1.1193 | All dimensions are in mm | Identification of important characteristics | Date | Name |
| new | Initial release | | | | | | | | Scale: (Original DIN A3) 2:1 | Dimensions without tolerances DIN ISO 2768 mK | Drawn by 08.11.2007 | KeBelheim |
| old | --- | | | | | | | Edge tolerances acc. to DIN ISO 13715 | | | Checked 08.11.2007 | Kaspar/ |
| Field | --- | | | | | | | Surface finish: DIN EN ISO 1302 | We reserve all rights to this document, to any patents or patent registrations related hereto, and to the duplication, retransmission by third parties and misc. use. Any use of this document is not permitted without the written consent of STABILUS. | | | |
| Date/Name | 8.11.07 Keß. | | | | | | | Replaces: | Document No.: 10028756 | | | |
| Chg. No. | 560799 | | | | | | | | Material No.: 002498 | | | |
| Rev. | 0 | | | | | | | STABILUS | PISTON ROD | | | |