

The print-out is not subject to the modification service.

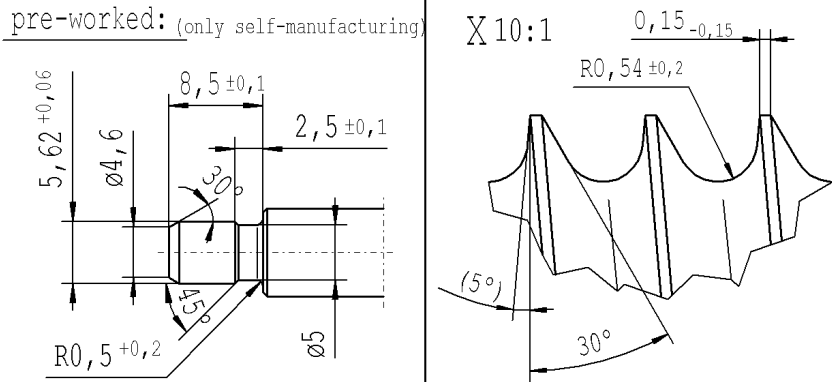
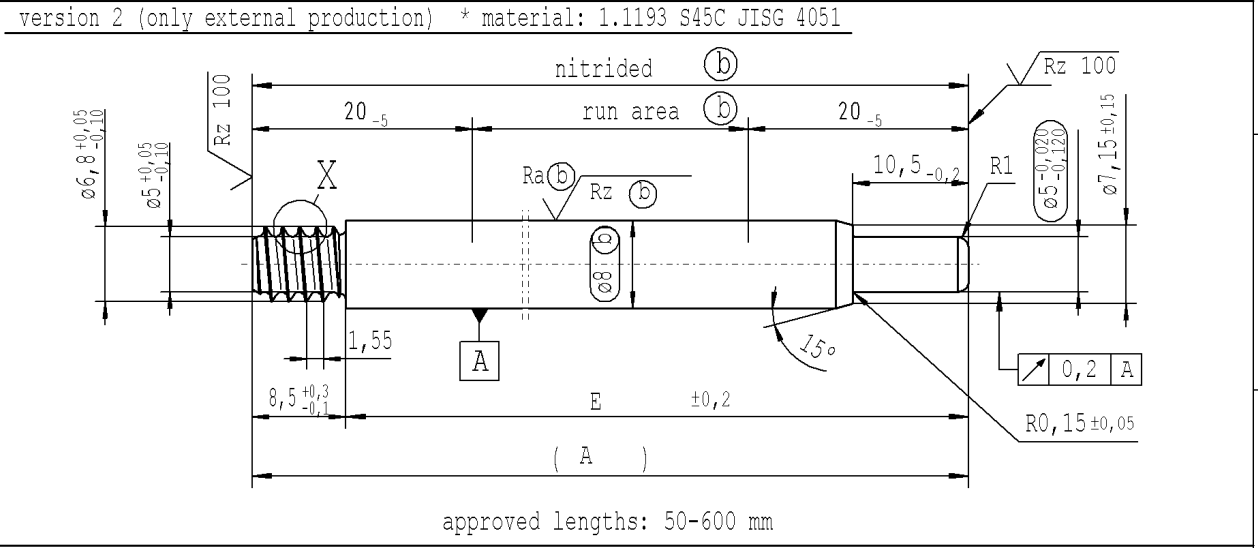
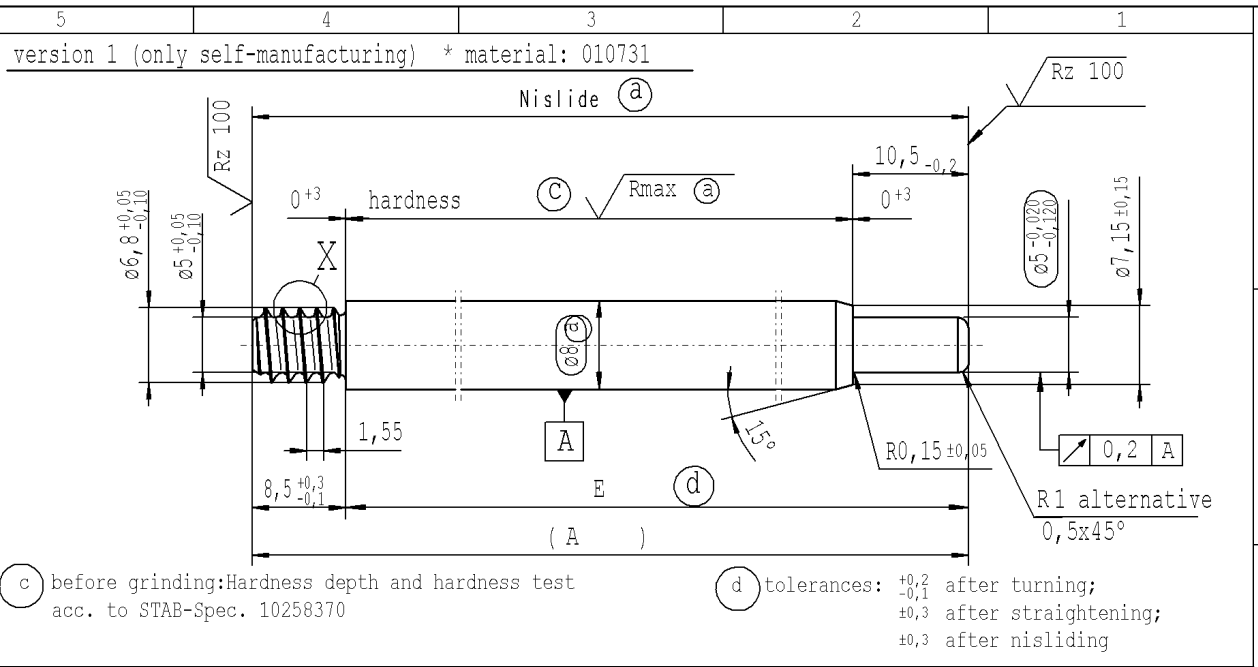
Intended for internal and supplier use

EN

Ident. Doc.:

Date/Name

supp No.	material no.			A	E
	processing and surface treatment acc. to STAB-Spec. 10006248 Tab. XVI optimized version 1	10006248 Tab. X version 1	10028959 Tab. I version 2	overall length	length without unfitting stud
309	773453	773453	773453	117.0	108.5
310	787315	787315	787315	396.0	387.5
311	789944	789944	789944	328.5	320.0
312	790422	790422	790422	453.0	444.5
313	790900	790900	790900	345.0	336.5
314	792095	792095	792095	93.0	84.5
315	795202	795202	795202	305.5	297.0
316	798309	798309	798309	354.0	345.5
317	800460	800460	800460	378.0	369.5
318	802133	802133	802133	337.5	329.0
319	802850	802850	802850	395.5	387.0
320	804284	804284	804284	504.0	495.5
321	819102	819102	819102	347.5	339.0
322	819819	819819	819819	326.0	317.5
323	820297	820297	820297	336.0	327.5
324	821731	821731	821731	308.0	299.5
325	840851	840851	840851	110.0	101.5
326	848977	848977	848977	360.0	351.5
327	860927	860927	860927	411.0	402.5



$\sqrt{Rz 25}$  ( $\sqrt{Rz 100}$   $\sqrt{Rmax}$  (a)  $Ra$  (b)  $Rz$  (b))  $\pm 0.2$   $-0.2$

sheet 15 of 16

AIAG CQI-standards acc. to STAB-Spec. 10027692				Environmental protection acc. to STAB-Spec. 10005649			
DE: X	EN: X	ES:	IT:	PR: X	FR:	RO: X	
CAD created document; handwritten changes not permitted				Material: *			
new (5°); no technical change, no new first sample required				All dimensions are in mm			
old 5°				Marking of special characteristics according to STAB-Spec. 10270932			
Field B/6-7				Scale: (Original DIN A3) 2:1			
Date/Name 31.03.2021 Hein				We reserve all rights to this document, to any patents or patent registrations related hereto, and to the duplication, retransmission by third parties and misc. use. Any use of this document is not permitted without the written consent of STABILUS.			
Chg. No. 696924				Document No.: 10151065			
Rev. 21				Material No.:			
				<b>STABILUS</b>			
				PISTON ROD			