

The print-out is not subject to the modification service.

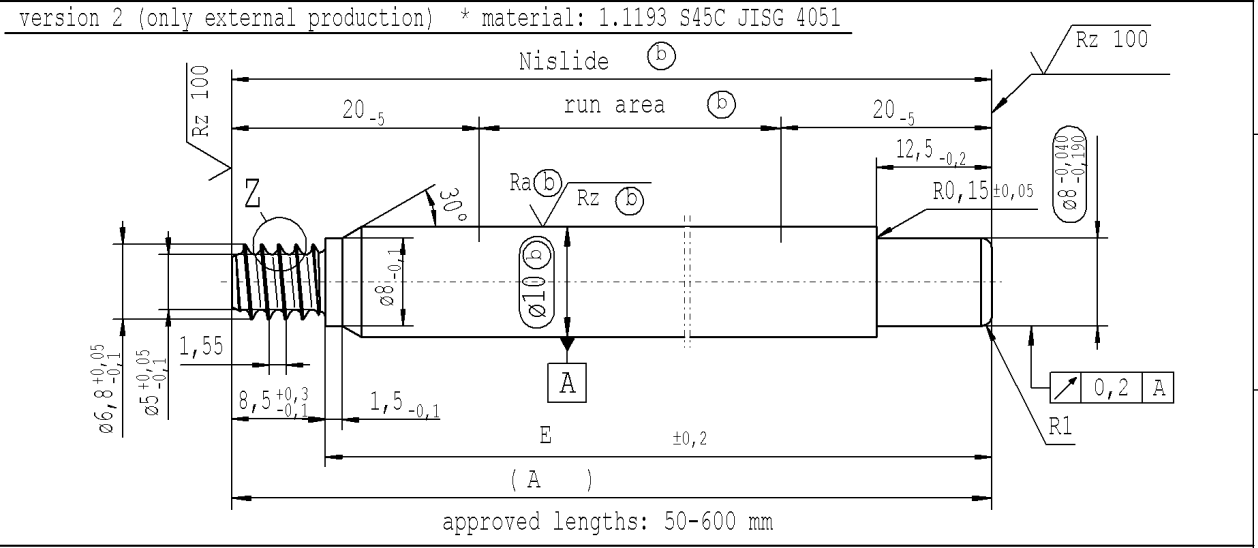
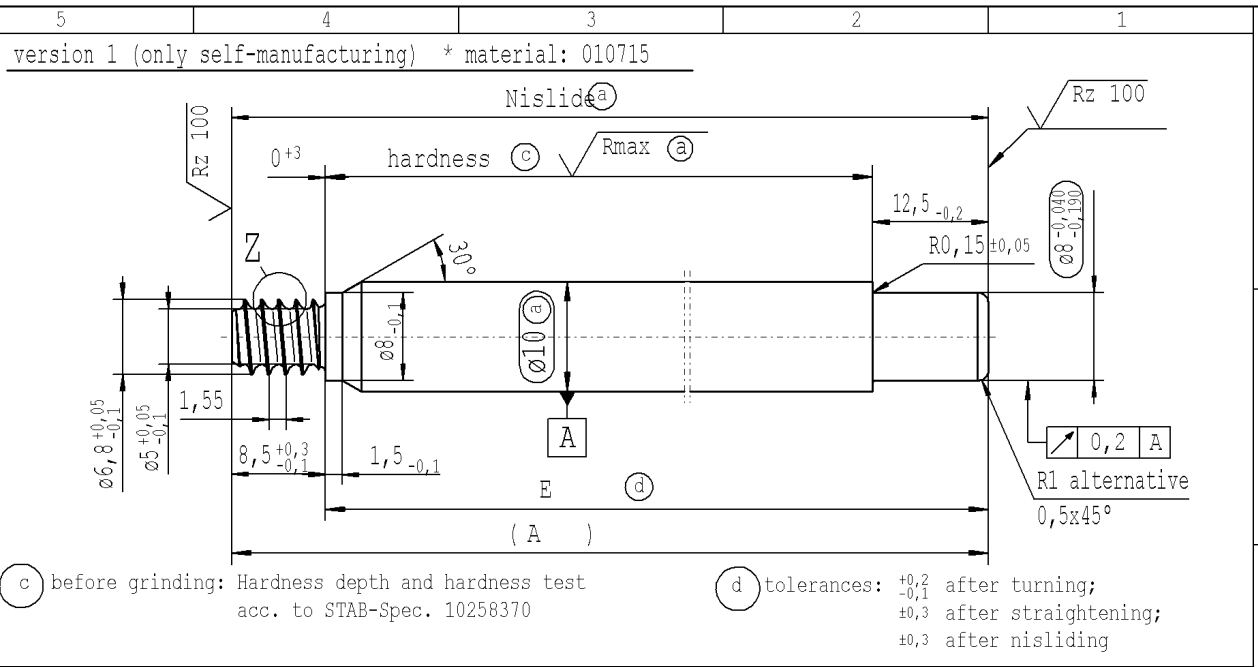
Intended for internal and supplier use

EN

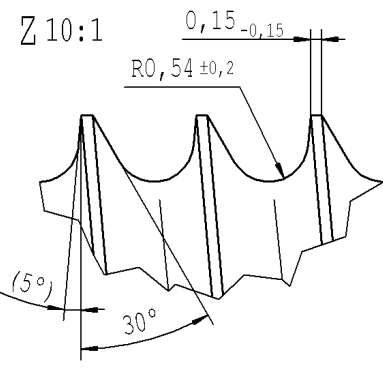
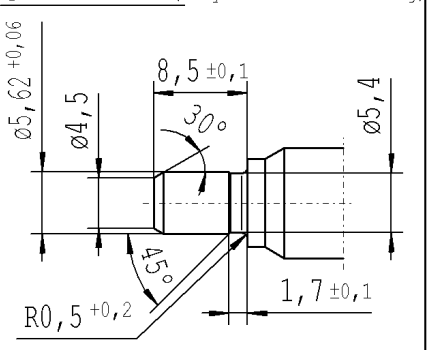
Bereitdatum: 3/12/2021 - 9:7

Ident. Doc.:

supp No.	material no.			A	E
	10006248 Tab. XVI optimized version 1	10006248 Tab. X version 1	10028959 Tab. I version 2		
5	432621	432621	432621	267	258.5
6	333455	333455	333455	342	333.5
7	337518	337518	337518	318	309.5
8	356399	356399	356399	372	363.5
9	046178	046178	046178	363	354.5
10	046656	046656	046656	414	405.5
11	047134	047134	047134	327	318.5
12	047612	047612	047612	387	378.5
13	178345	178345	178345	285	276.5
14	180257	180257	180257	278	269.5



pre-worked: (only self-manufacturing)



AIAG CQI-standards acc. to STAB-Spec. 10027692				Environmental protection acc. to STAB-Spec. 10005649									
DE: X	EN: X	ES:	IT:	PR:	FR:	RO: X	CAD created document; handwritten changes not permitted	Material: *	All dimensions are in mm	Marking of special characteristics according to STAB-Spec. 10270932	Date	Name	
new	product family: 2017/0847	new format Internal/Supplier		Tab XVI; no technical change, no new first sample required					Scale: (Original DIN A3) 2:1	Dimensions without tolerances DIN ISO 2768-mK	Drawn by	Hein	
old	product family: XXXX/xxx	Supplier drawing separately		Tab IV;				Edge tolerances acc. to DIN ISO 13715			Checked	06.10.2021	Milles
Field	c/2-3		-		F 8			Surface finish	We reserve all rights to this document, to any patents or patent registrations related hereto, and to the duplication, retransmission by third parties and misc. use. Any use of this document is not permitted without the written consent of STABILUS.				
Date/Name	17.07.2017 Hein		16.04.2021 Hein		06.10.2021 Donat			Replaces:	Document No.: 10160332				
Chg. No.	659660		697403		701804				Material No.:				
Rev.	4		5		6			STABILUS	PISTON ROD				

sheet 1 of 1