

The print-out is not subject to the modification service.

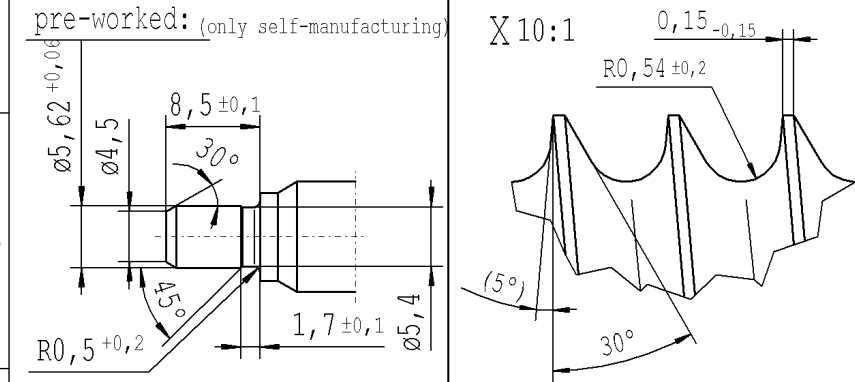
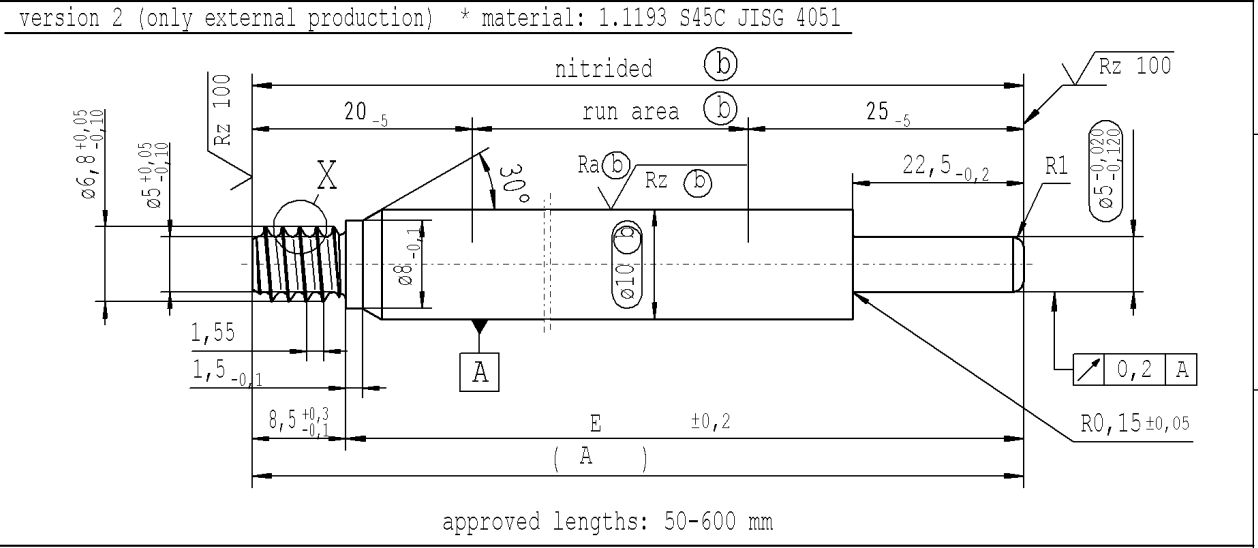
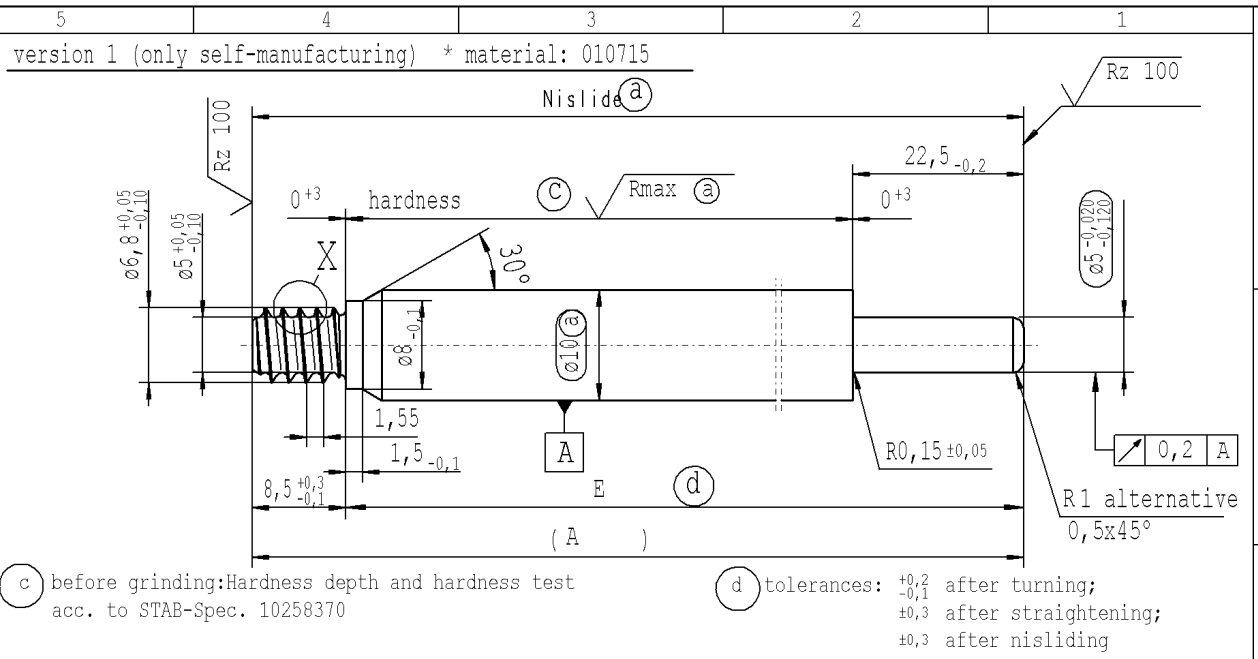
Intended for internal and supplier use

EN

Brevell Datum: 9/12/2021 - 13:28

Ident. Doc.:

supp No.	material no.			A	E
	10006248 Tab. XVI optimized version 1	10006248 Tab. X version 1	10028959 Tab. I version 2	overall length	length without endfitting stud
1	210610	210610	210610	444	435.5
2	217541	217541	217541	474	465.5
3	218497	218497	218497	393	384.5
4	225906	225906	225906	402	393.5
5	229252	229252	229252	282	273.5



AIAG CQI-standards acc. to STAB-Spec. 10027692 Environmental protection acc. to STAB-Spec. 10005649

DE: X	EN: X	ES:	IT:	PR:	FR:	RO: X	CAD created document; handwritten changes not permitted	Material: *	All dimensions are in mm	Marking of special characteristics according to STAB-Spec. 10270932	Date	Name
new	INITIAL RELEASE							Edge tolerances acc. to DIN ISO 13715	Scale: (Original DIN A3) 2:1	Dimensions without tolerances DIN ISO 2768-mK	Drawn by	Donat
old	-							Surface finish DIN EN ISO 1302			Checked	Milles
Field	-							Replaces:			Document No.:	10300950
Date/Name	08.12.2021 Donat											Material No.:
Chg. No.	-											
Rev.	0							STABILUS		PISTON ROD		