

The print-out is not subject to the modification service.

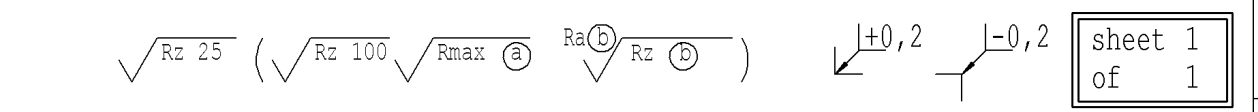
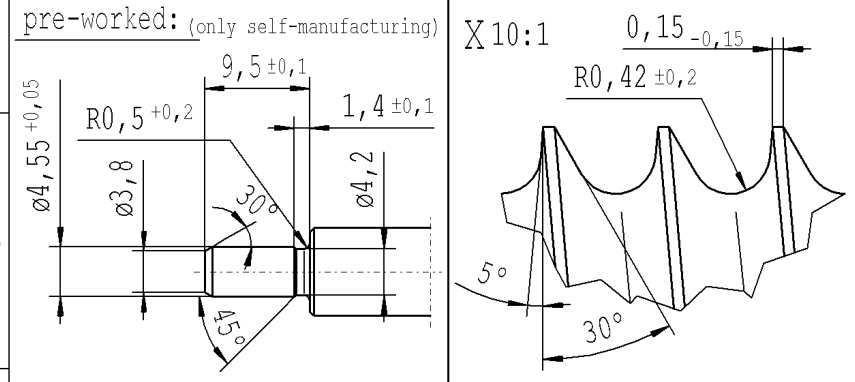
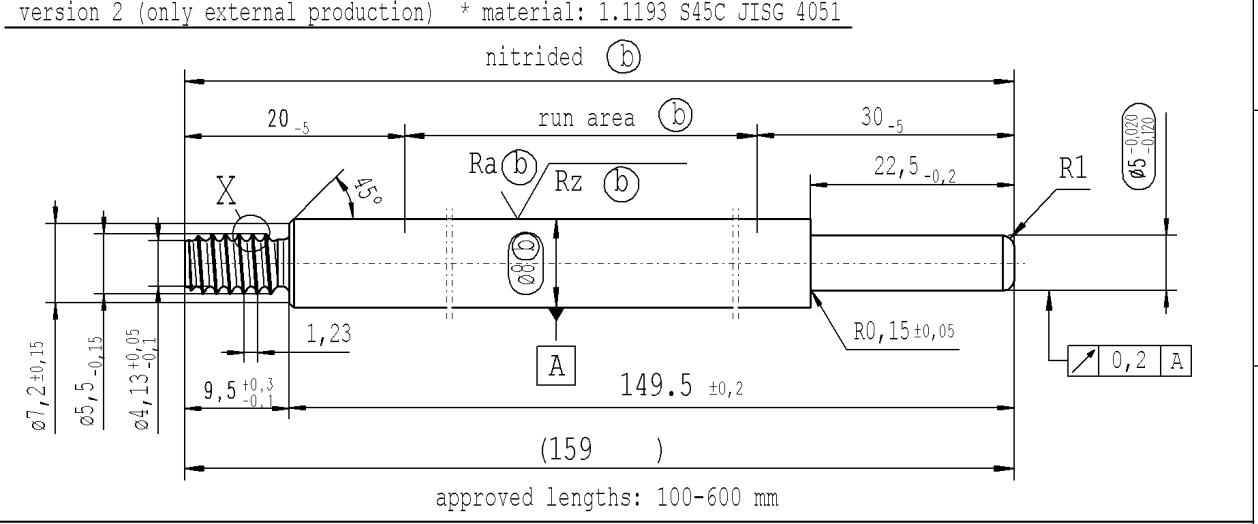
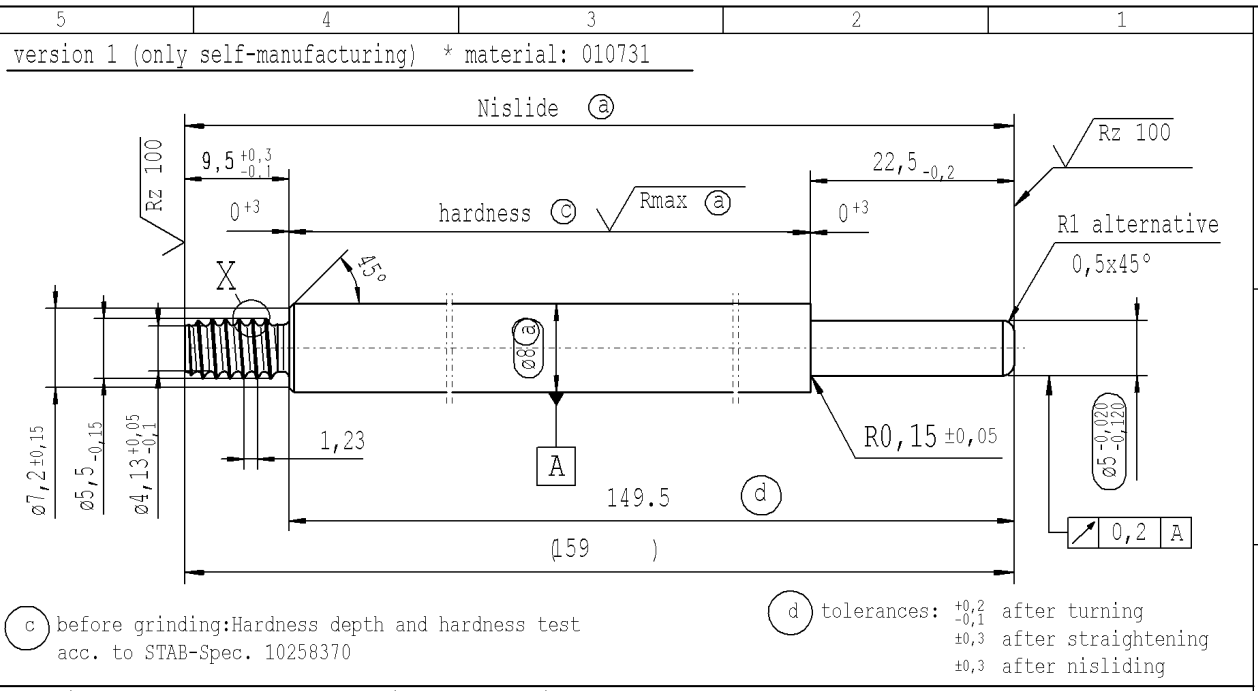
Intended for internal and supplier use

EN

Brevell Datum: 04/2022 - 11:56

Ident. Doc.:

supp	material no.			A	E
No.	processing and surface treatment acc. to STAB-Spec. 10006248 Tab. XVI optimized			overall length	length without endfitting stud
	(a) version 1	(a) version 1	(b) version 2		
1	824601	824601	824601	159	149.5
2	825318	825318	825318	387	377.5
3	827708	827708	827708	264	254.5
4	828425	828425	828425	93	83.5
5	830098	830098	830098	248	238.5
6	830576	830576	830576	141	131.5
7	831293	831293	831293	240	230.5
8	832249	832249	832249	354	344.5
9	873118	873118	873118	120	110.5
10	875508	875508	875508	444	434.5
11	876942	876942	876942	258	248.5
12	989272	989272	989272	132	122.5
13	139150	139150	139150	216	206.5
14	140584	140584	140584	153	143.5



sheet 1 of 1

AIAG CQI-standards acc. to STAB-Spec. 10027692										Environmental protection acc. to STAB-Spec. 10005649							
DE: X	EN: X	ES:	IT:	PR:	FR:	RO: X	CAD created document handwritten changes not permitted			Material:	All dimensions are in mm		Marking of special characteristics according to STAB-Spec. 10270932		Date	Name	
new	Initial Release									*	Scale: (Original DIN A3) 2:1		Dimensions without tolerances DIN ISO 2768-mK		31.01.2022	Donat	
old	-									Edge tolerances acc. to DIN ISO 13715					Checked	31.01.2022	Milles
Field	-									Surface finish DIN EN ISO 1302							
Date/Name	31.01.2022 Donat									Replaces:					Document No.:		10303004
Chg. No.	-														Material No.:		
Rev.	0									STABILUS					PISTON ROD		