

The print-out is not subject to the modification service.

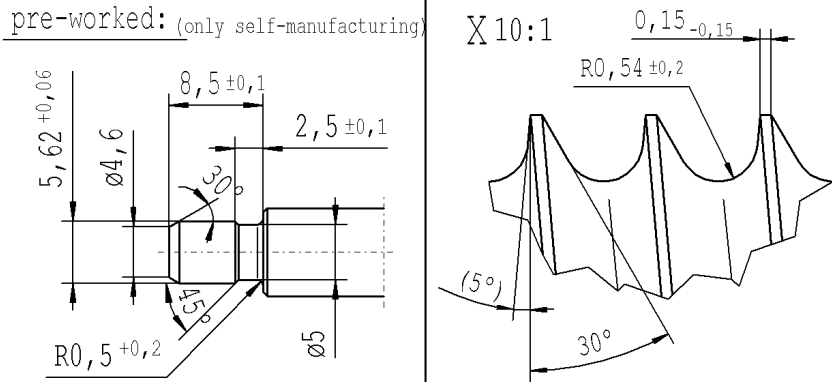
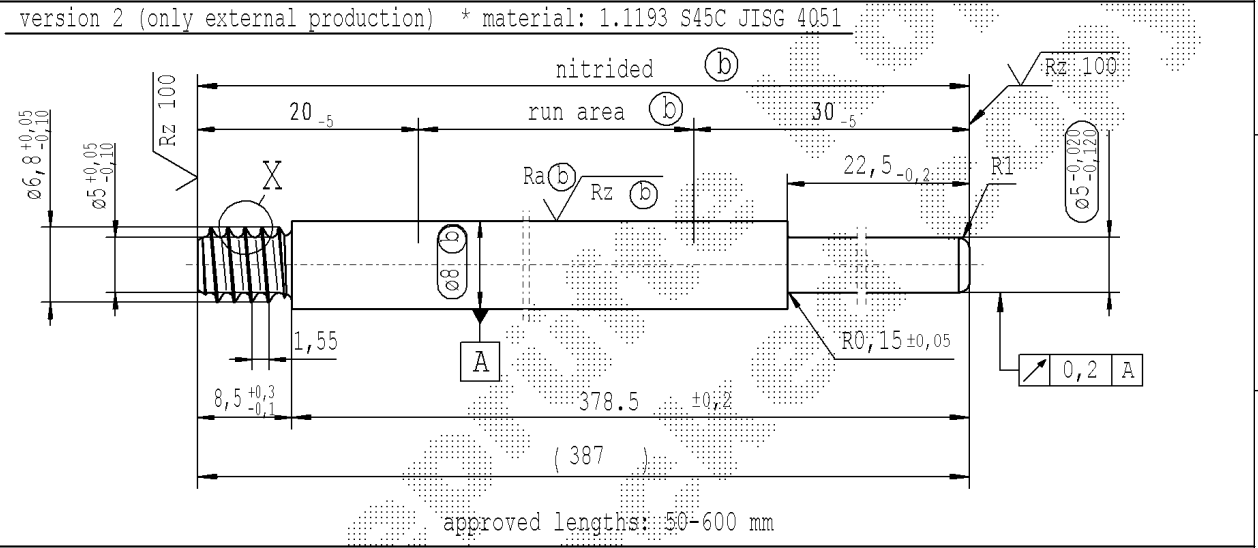
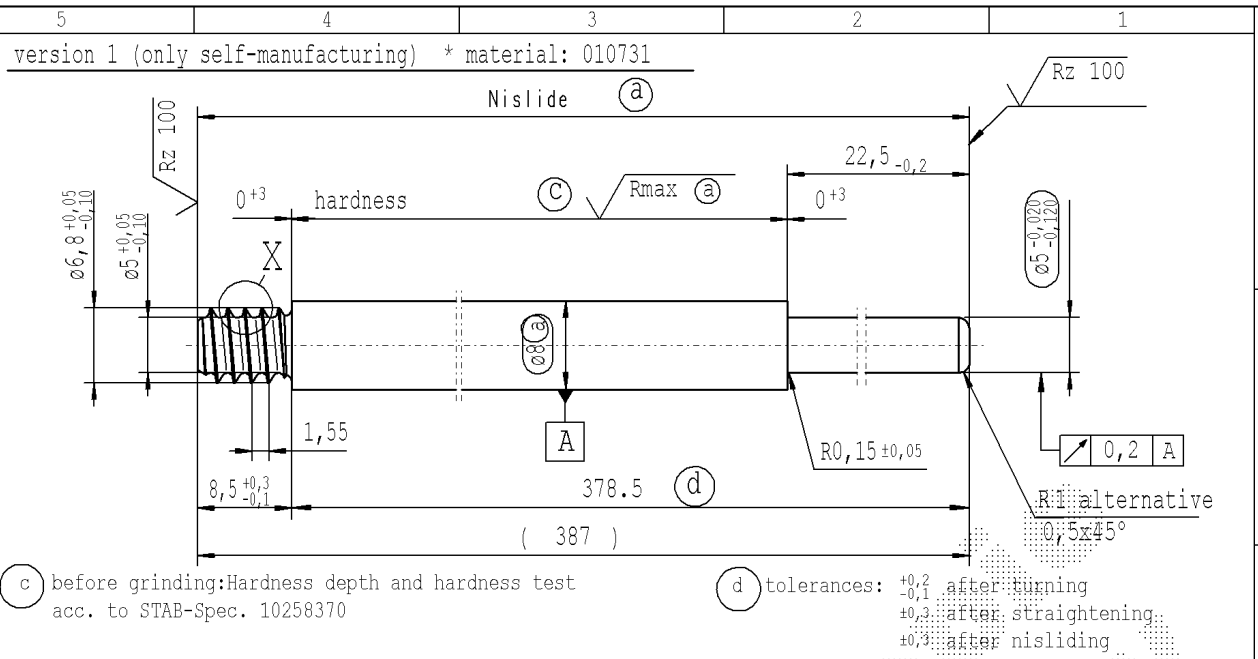
Intended for internal and supplier use

EN

Brevell Datum: 17/12/2021 - 8:41

Ident. Doc.:

supp No.	material no.			A	E
	10006248 Tab. XVI optimized version 1	10006248 Tab. X version 1	10028959 Tab. I version 2	overall length	length without endfitting stud
42	731629	731629	731629	174	165.5
43	733541	733541	733541	222	213.5
44	735453	735453	735453	144	135.5
45	106406	106406	106406	360	351.5
46	110947	110947	110947	375	366.5
47	122658	122658	122658	387	378.5
48	150143	150143	150143	165	156.5
49	324852	324852	324852	339	330.5



DE: X	EN: X	ES:	IT:	PR:	FR:	RO: X	CAD created document handwritten changes not permitted	Material: *
new	Tab XVI no technical change, no new first sample required						no technical change, no new first sample required	Edge tolerances acc. to DIN ISO 13715
old	Tab IV						Tab XVI	Surface Finish: DIN EN ISO 1302
Field	F 8						F 7	Replaces:
Date/Name	12.08.2021 Donat						14.09.2021 Donat	
Chg. No.	699704						700848	
Rev.	7						7	

Environmental protection acc. to STAB-Spec. 10005649		Date	Name
All dimensions are in mm	Marking of special characteristics according to STAB-Spec. 10270932	29.04.2008	Hein
Scale: (Original DIN A3) 2:1	Dimensions without tolerances DIN ISO 2768-mK	Checked	Milles
We reserve all rights to this document, to any patents or patent registrations related hereto, and to the duplication, retransmission by third parties and misc. use. Any use of this document is not permitted without the written consent of STABILUS.		Document No.:	10154879
STABILUS		Material No.:	
PISTON ROD			

sheet 3 of 3