

The print-out is not subject to the modification service.

Intended for internal and supplier use

EN

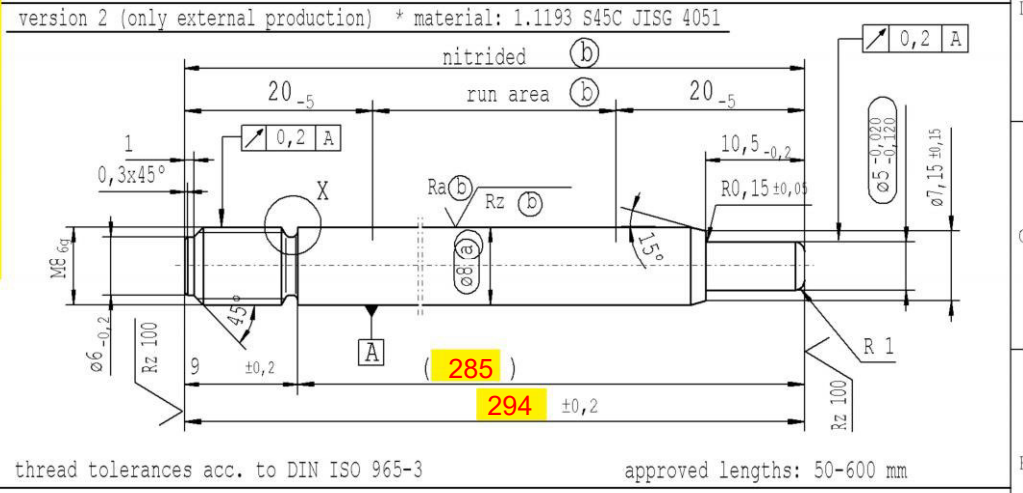
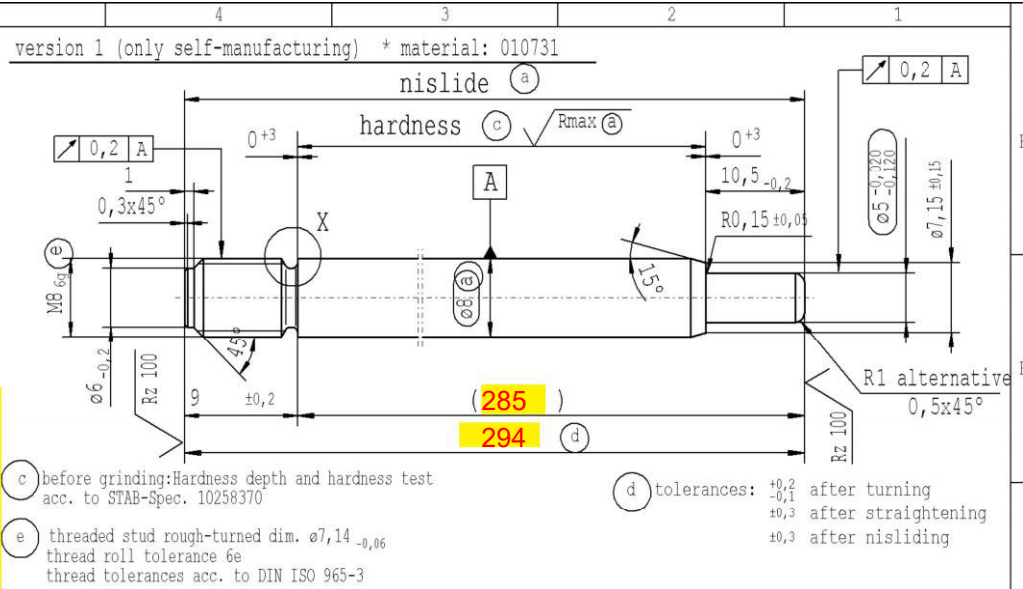
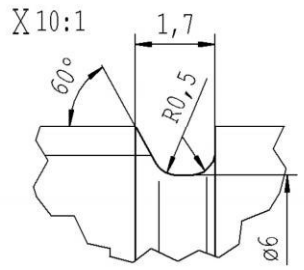
Erstelldatum: 20/06/2021 - 7:44

A

Ident. Doc.:

supp No.	material no.			A overall length	B thread length	E length without end-fitting stud
	processing and surface treatment acc. to STAB-Spec.					
	10006248 Tab. IV (a) version 1	10006248 Tab. X (a) version 1	10028959 Tab. I (b) version 2			
21	255054	255054	255054	303.0	9	294.0
22	183594	183594	183594	237.0	10	227.0
23	235457	235457	235457	234.0	9	225.0
24	436695	436695	436695	234.0	10	224.0
25	977076	977076	977076	294.0	9	285.0
26	899641	899641	899641	339.0	9	330.0

XX	XXXXXX	XXXXXX	294	9	285
----	--------	--------	-----	---	-----



$\sqrt{Rz\ 25}$ ($\sqrt{Rz\ 100}$ $\sqrt{R_{max}}$ (a) Ra (b) Rz (b)) $\downarrow +0,2$ $\downarrow -0,2$

sheet 2 of 2

DE: X EN: X ES: IT: PR: FR: RO: X			AIAG CQI-standards acc. to STAB-Spec. 10027692			Environmental protection acc. to STAB-Spec. 10005649		
CAD created document handwritten changes not permitted			Material: *			All dimensions are in mm		
new approved lengths: 90-600 mm © = acc. STAB-Spec. 10258370 new format Internal/Supplier			Surface finish DIN EN ISO 1302			Marking of special characteristics according to STAB-Spec. 10278932		
old approved lengths: 90-400 mm © = RHT 0,4 0,7 mm Supplier drawing separately			Edge tolerances acc. to DIN ISO 13715			Scale: (Original DIN A3) 2:1		
Field D/4-5 B 4-5 -			Replaces:			We reserve all rights to this document, to any patents or patent registrations related hereto, and to the duplication, retransmission by third parties and misc. use. Any use of this document is not permitted without the written consent of STABILUS.		
Date/Name 24.11.2015 Hein 15.05.2019 Donat 14.07.2020 Höfer			STABILUS			PISTON ROD		
Clg. No. 630576 678703 690131			Material No.:			10152007		
Rev. 6 6 7			Material No.:					