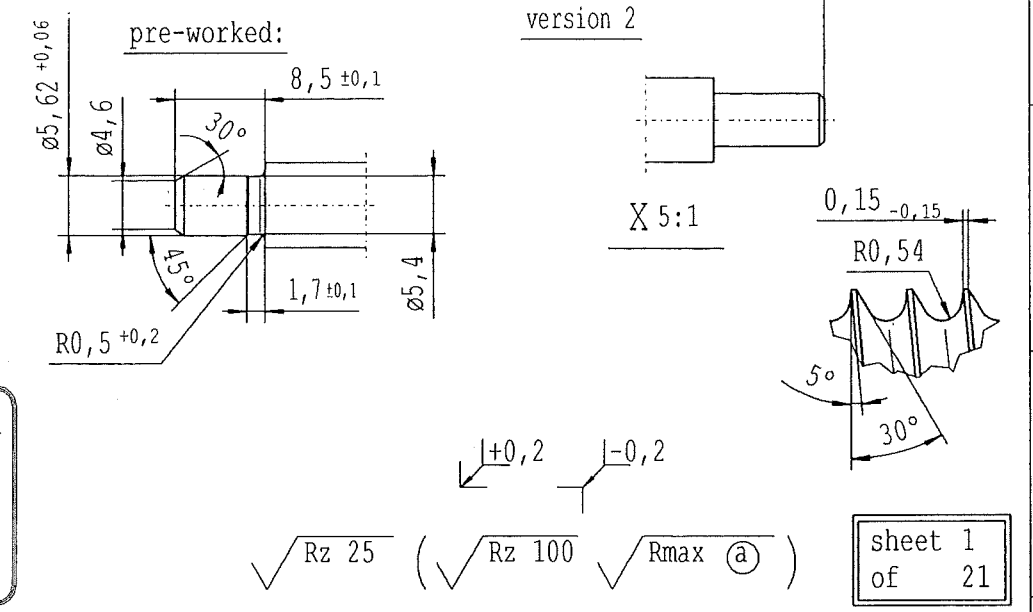
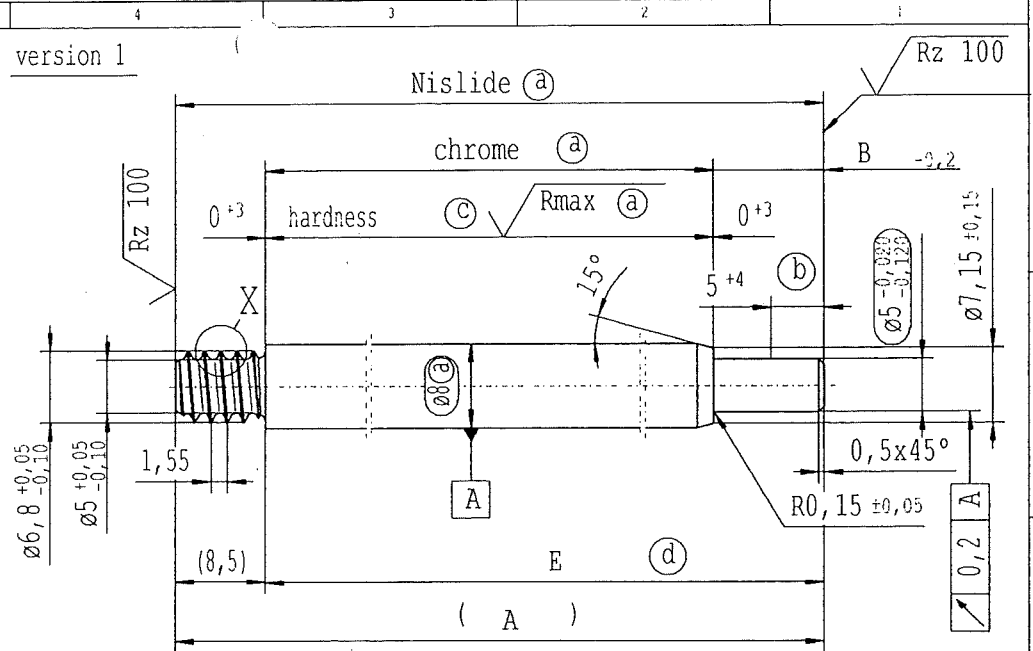


supp. No.	material no.				A	B	E	F	G
	surface treatment processing acc. to STAB-Spec. 10006248				overall length	stud length piston side	length without endfitting stud	version	TED
	table IV Nislide black	table V Nislide light	table VIII Nislide black polished	table X Nislide "G"					
1	9801CV				250	10.5	241.5	1	
2	3156DF			3156DF	354.0	10.5	345.5	1	
3	6701DV			6701DV	252.0	10.5	243.5	1	
4	9203DW			9203DW	258.0	10.5	249.5	1	031/02
5	1051FS			1051FS	243.0	10.5	234.5	1	
6	1054FD		0274SO		270.0	10.5	261.5	1	031/02
7	1855FX				279.0	10.5	270.5	1	
8	1893FJ				297.0	10.5	288.5	1	
9	1904FY			1904FY	147.0	10.5	138.5	1	
10	1947FM		6351PZ	3439IP	273.0	10.5	264.5	1	
11	1973FO			1973FO	219.0	10.5	210.5	1	
12	2188FE			2188FE	132.0	10.5	123.5	1	
13	2785FE				261.0	10.5	252.5	1	
14	2793FI		4337GF	2793FI	267.0	10.5	258.5	1	
15	2823FQ			2823FQ	276.0	10.5	267.5	1	
16	2834FF			2834FF	93.0	10.5	84.5	1	
17	2837FR				330.0	10.5	321.5	1	
18	2841FO				296.0	10.5	287.5	1	
19	2846FQ			2846FQ	378.0	10.5	369.5	1	
20	0303IN			0303IN	231.0	10.5	222.5	1	



- (a) piston rod processing acc. to STAB-Spec. 10006248
- (b) surface chrome-free
- (c) RHT 0,4..0,7 mm before grinding, ≥ 68 HRA (acc. to DIN ISO 6508);
- (d) tolerances:  $\pm 0,2$  after turning;  
 $\pm 0,1$  after straightening;  
 $\pm 0,3$  after nisliding

Temporary deviation approval: 031/02

Only apply to

STDE	STES	STGB	STIT	STAU	STUS	STMX	STBR	STWZ	STKR
------	------	------	------	------	------	------	------	------	------

Caution! For delivery to STKR: Surface treatment nislide only allowable acc. to tab. IV. Concerned piston rods, see column G

Environmental protection acc. to STAB-Spec. 10005649

DE: X	EN: X	ES: X	IT: X	PR: X	FR:	CAD created document; handwritten changes not permitted				
new	design revised	TED 031/02	delete text: "For delivery to STKR:"			Tab. IV + X	Rework	"For delivery to STKR:"		
old					TED 012/98	Tab. IV				
Field			TED 031/02		031/02 STIT	div. Pos.		TED 031/02		
Date/Name	03.07.2001 Jdb.	06.12.2002 Suñ	09.01.2003 Suñ	05.02.2003 Suñ	16.04.2003 Pulze	28.04.2003 Kannew.	31.07.2003 Suñ	19.02.2004 Suñ		
Chg. No.	514653	525173	525603	526440	528128	528220	530475	535263		
Rev.	46	47	48	49	50	51	52	53		

Material:	mat.no. 010731	All dimensions are in mm	Identification of important characteristics	Drawn by	Date	Name
Edge tolerances acc. to DIN ISO 13715		Scale: (Original DIN A3) 2:1	Dimensions without tolerances DIN ISO 2768 mK	Checked	19.02.2004	Rüdesch.
Surface finish DIN ISO 1302		Replaces: Zchnng. gl. Nr. v. 17.12.1998	We reserve all rights to this document, to any patents or patent registrations related hereto, and to the duplication, retransmission by third parties and also, use. Any use of this document is not permitted without the written consent of STABILUS.	Approved.		
STABILUS			PISTON ROD			Document No.: 10001245
						Material No.:

sheet 1 of 21

CONFIDENTIAL! Intended for internal use only  
 Ident. Doc.: SN 2663CS  
 Excite/Ident. num.: 25/7/2004 / 13/20