

The print-out is not subject to the modification service.

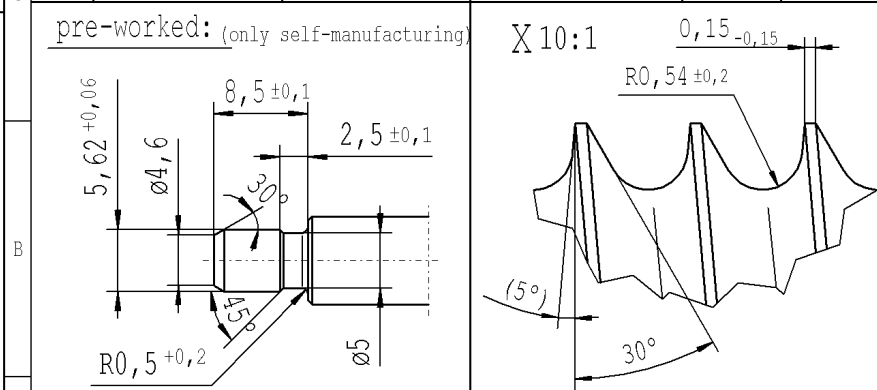
Intended for internal and supplier use

EN

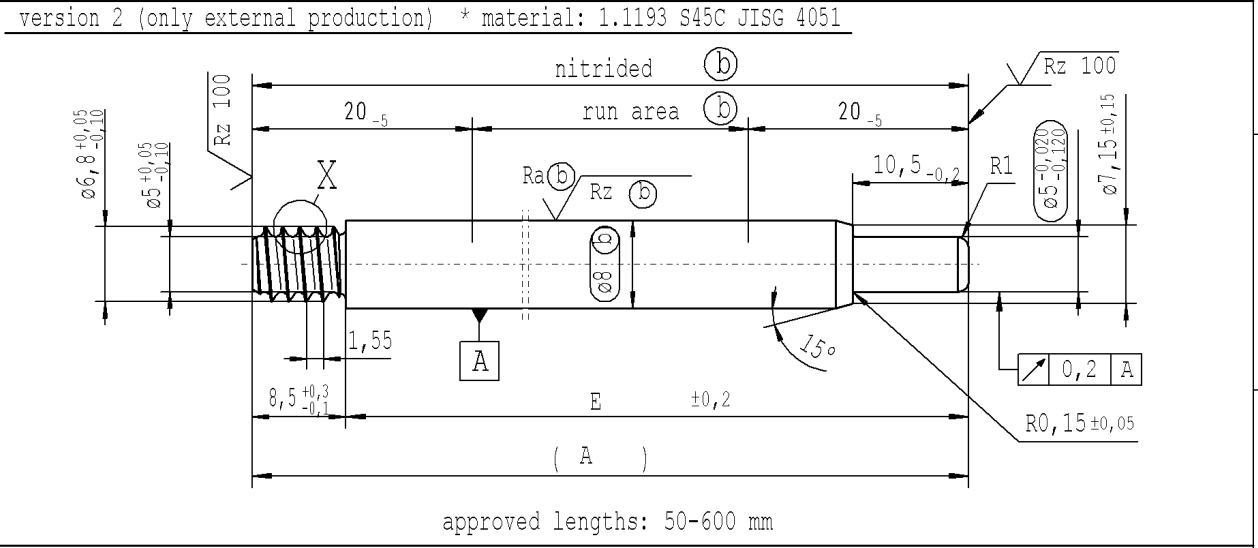
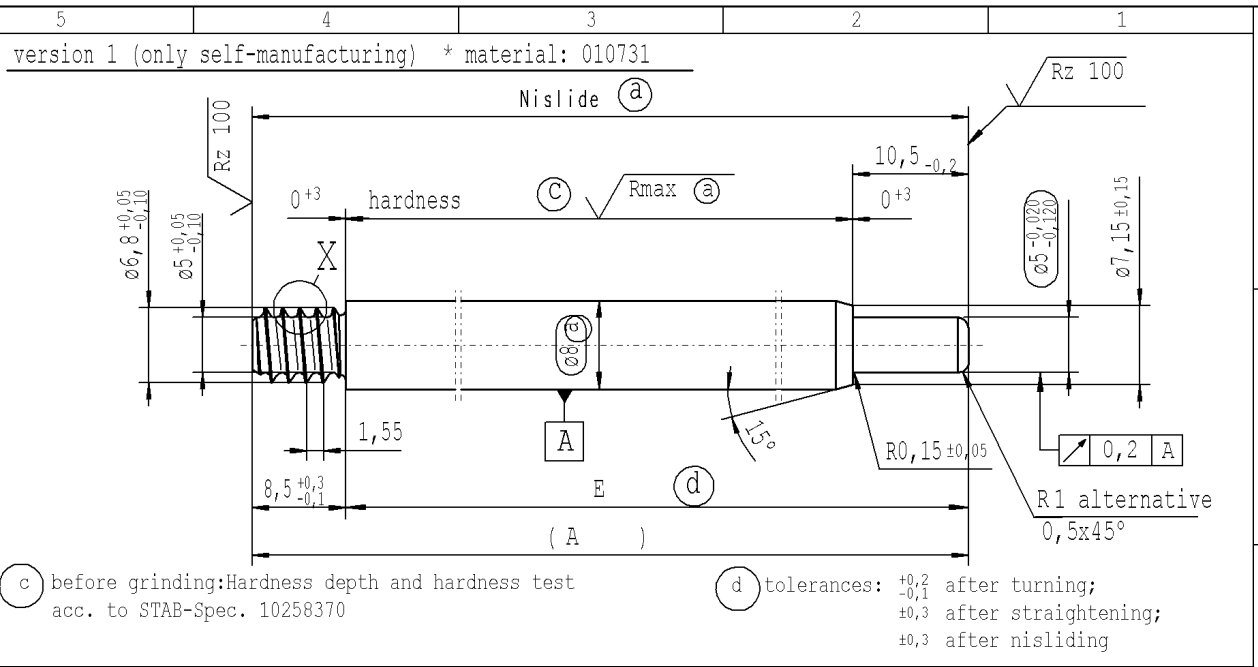
Brevellatum: 30/11/2021 - 9:50

Ident. Doc.:

| supp No. | material no.   |                              |                              | A              | E                             |
|----------|--|------------------------------|------------------------------|----------------|-------------------------------|
|          | processing and surface treatment acc. to STAB-Spec. 10006248 Tab. XVI optimized<br>version 1 | 10006248 Tab. X<br>version 1 | 10028959 Tab. I<br>version 2 | overall length | length without unfitting stud |
| 86       | 016172   | 016172                       | 016172                       | 180.0          | 171.5                         |
| 87       | 014448   | 014448                       | 014448                       | 230.5          | 222.0                         |
| 88       | 014693   | 014693                       | 014693                       | 233.5          | 225.0                         |
| 89       | 020333   | 020333                       | 020333                       | 238.0          | 229.5                         |
| 92       | 023851   | 023851                       | 023851                       | 259.5          | 251.0                         |
| 93       | 027057   | 027057                       | 027057                       | 207.0          | 198.5                         |
| 94       | 027174   | 027174                       | 027174                       | 160.5          | 152.0                         |
| 95       | 027173   | 027173                       | 027173                       | 337.5          | 329.0                         |
| 96       | 031878   | 031878                       | 031878                       | 299.0          | 290.5                         |
| 97       | 032886   | 032886                       | 032886                       | 181.0          | 172.5                         |
| 98       | 032887   | 032887                       | 032887                       | 300.0          | 291.5                         |
| 99       | 032888   | 032888                       | 032888                       | 354.5          | 346.0                         |
| 100      | 032889   | 032889                       | 032889                       | 360.0          | 351.5                         |
| 101      | 032445   | 032445                       | 032445                       | 235.0          | 226.5                         |
| 102      |  | 030695                       | 030695                       | 250.5          | 242.0                         |
| 103      | 031056   | 031056                       | 031056                       | 273.5          | 265.0                         |
| 104      | 030768   | 030768                       | 030768                       | 192.0          | 183.5                         |
| 105      | 031074   | 031074                       | 031074                       | 329.0          | 320.5                         |
| 106      | 032985   | 032985                       | 032985                       | 253.5          | 245.0                         |



AIAG CQI-standards acc. to STAB-Spec. 10027692



$\sqrt{Rz 25}$  ( $\sqrt{Rz 100}$   $\sqrt{Rmax}$  (a)  $Ra$  (b)  $Rz$  (b))  $\pm 0,2$   $-0,2$

sheet 5 of 16

|           |   |     |     |       |     |       |  |                 |                              |   |                      |                        |  |
|-----------|---|-----|-----|-------|-----|-------|--|-----------------|------------------------------|---|----------------------|------------------------|--|
| DE: X     | EN: X   | ES: | IT: | PR: X | FR: | RO: X | CAD created document; handwritten changes not permitted    | Material: *     | All dimensions are in mm     | Marking of special characteristics according to STAB-Spec. 10270932 | Date: 05.12.2007     | Name: Höfer            |  |
| new       | (5°); no technical change, no new first sample required |     |     |       |     |       | Tab XVI; no technical change, no new first sample required |                 | Scale: (Original DIN A3) 2:1 | Dimensions without tolerances DIN ISO 2768-mK                       | Drawn by: 12.08.2021 | Milles                 |  |
| old       | 5°  |     |     |       |     |       | Tab IV;  |                 |                              |   | Checked: 12.08.2021  |                        |  |
| Field     | B/6-7   |     |     |       |     |       | F 8  |                 |                              |   |                      |                        |  |
| Date/Name | 31.03.2021 Hein   |     |     |       |     |       | 12.08.2021 Donat   |                 |                              |   |                      | Document No.: 10151065 |  |
| Chg. No.  | 696924  |     |     |       |     |       | 699704   |                 |                              |   |                      | Material No.:          |  |
| Rev.      | 21  |     |     |       |     |       | 21   |                 |                              |   |                      |                        |  |
|           |   |     |     |       |     |       |  | <b>STABILUS</b> | <b>PISTON ROD</b>            |   |                      |                        |  |