

The print-out is not subject to the modification service.

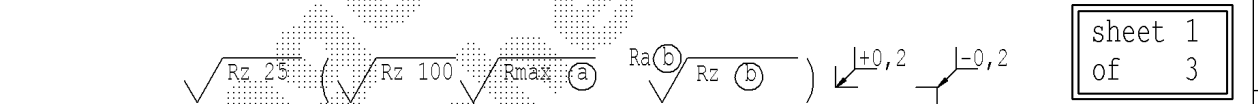
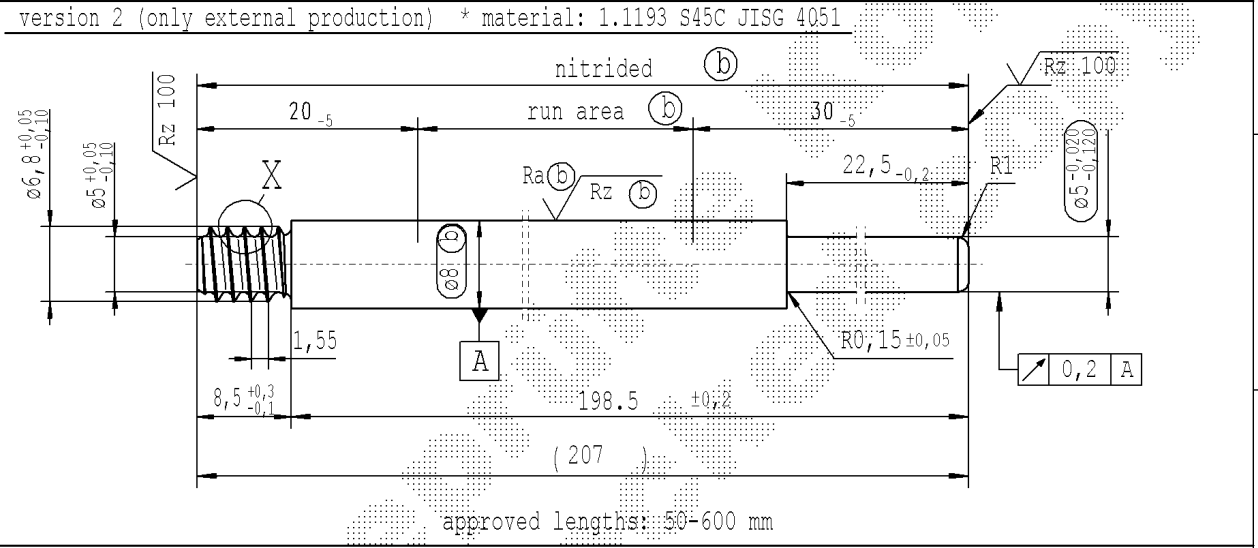
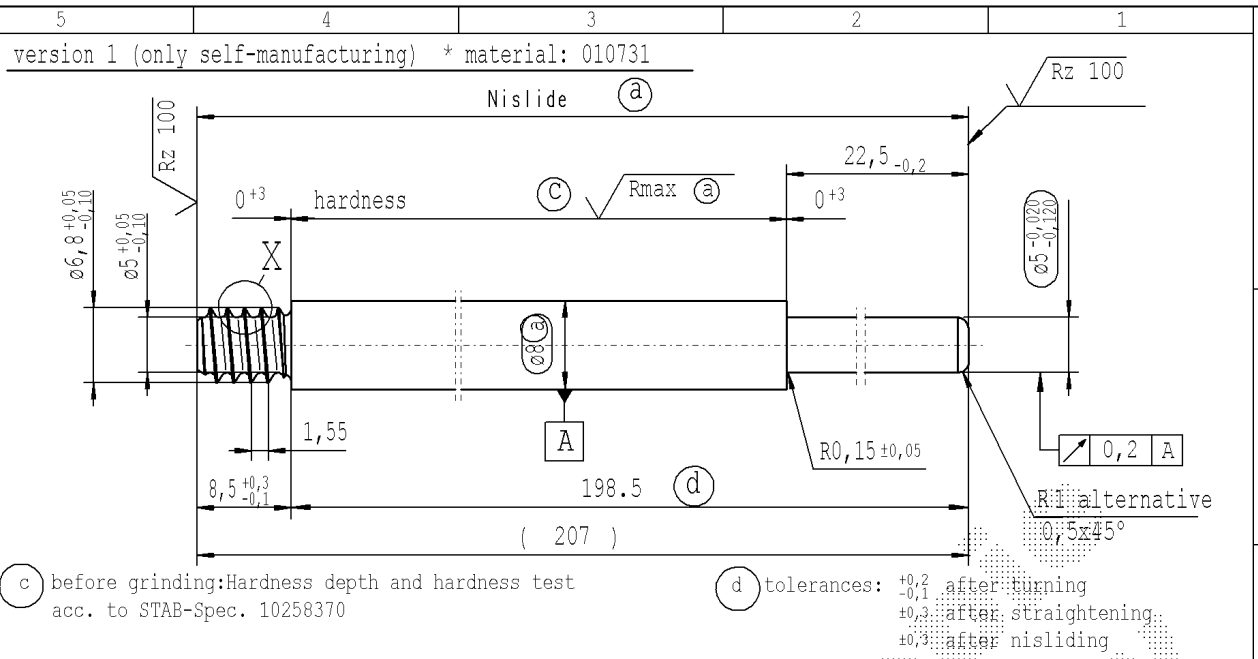
Intended for internal and supplier use

EN

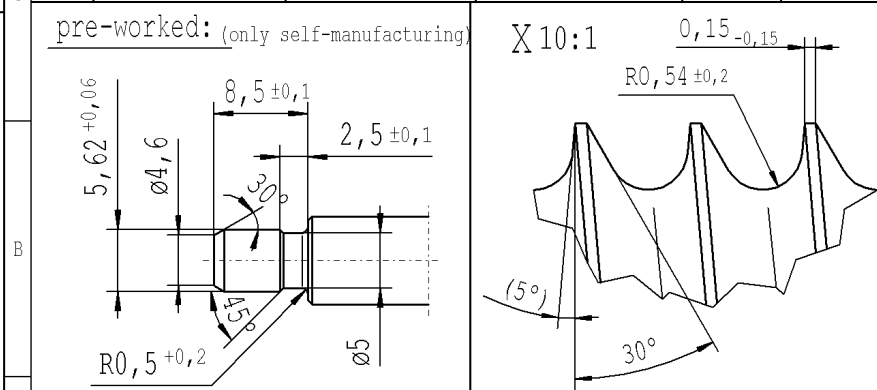
Brevellatum: 11/11/2021 - 10-8

Ident. Doc.:

supp No.	material no.			A	E
	10006248 Tab. XVI optimized version 1	10006248 Tab. X version 1	10028959 Tab. I version 2	overall length	length without endfitting stud
4	923521	923521	923521	258	249.5
5	719425	719425	719425	255	246.5
6	720620	720620	720620	306	297.5
7	430958	430958	430958	195	186.5
8	323178	323178	323178	357	348.5
9	459647	459647	459647	270	261.5
10	460364	460364	460364	162	153.5
11	466578	466578	466578	369	360.5
12	468012	468012	468012	207	198.5
13	468729	468729	468729	384	375.5
14	470880	470880	470880	177	168.5
15	479723	479723	479723	264	255.5
16	496453	496453	496453	267	258.5
17	500994	500994	500994	219	210.5
18	505057	505057	505057	294	285.5
19	506252	506252	506252	147	138.5
20	527284	527284	527284	150	141.5
21	531108	531108	531108	321	312.5
22	609739	609739	609739	198	189.5



sheet 1 of 3



DE: X	EN: X	ES:	IT:	PR:	FR:	RO: X	CAD created document handwritten changes not permitted	Material: *
new	Tab XVI no technical change, no new first sample required						no technical change, no new first sample required	Edge tolerances acc. to DIN ISO 13715
old	Tab IV						Tab XVI	Surface finish: DIN EN ISO 1302
Field	F 8						F 7	Replaces:
Date/Name	12.08.2021 Donat						14.09.2021 Donat	
Chg. No.	699704						700848	
Rev.	7						7	

Environmental protection acc. to STAB-Spec. 10005649		Date	Name
All dimensions are in mm	Marking of special characteristics according to STAB-Spec. 10270932	29.04.2008	Hein
Scale: (Original DIN A3) 2:1	Dimensions without tolerances DIN ISO 2768-mK	Checked	14.09.2021 Milles
We reserve all rights to this document, to any patents or patent registrations related hereto, and to the duplication, retransmission by third parties and misc. use. Any use of this document is not permitted without the written consent of STABILUS.		Document No.: 10154879	
Material: PISTON ROD		Material No.:	