

The print-out is not subject to the modification service.

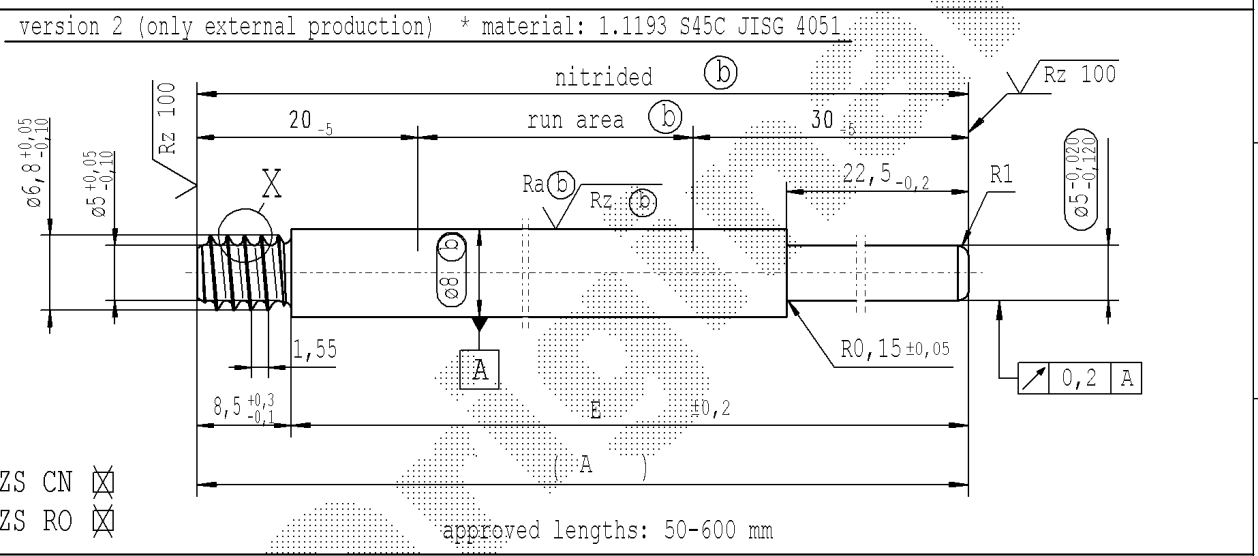
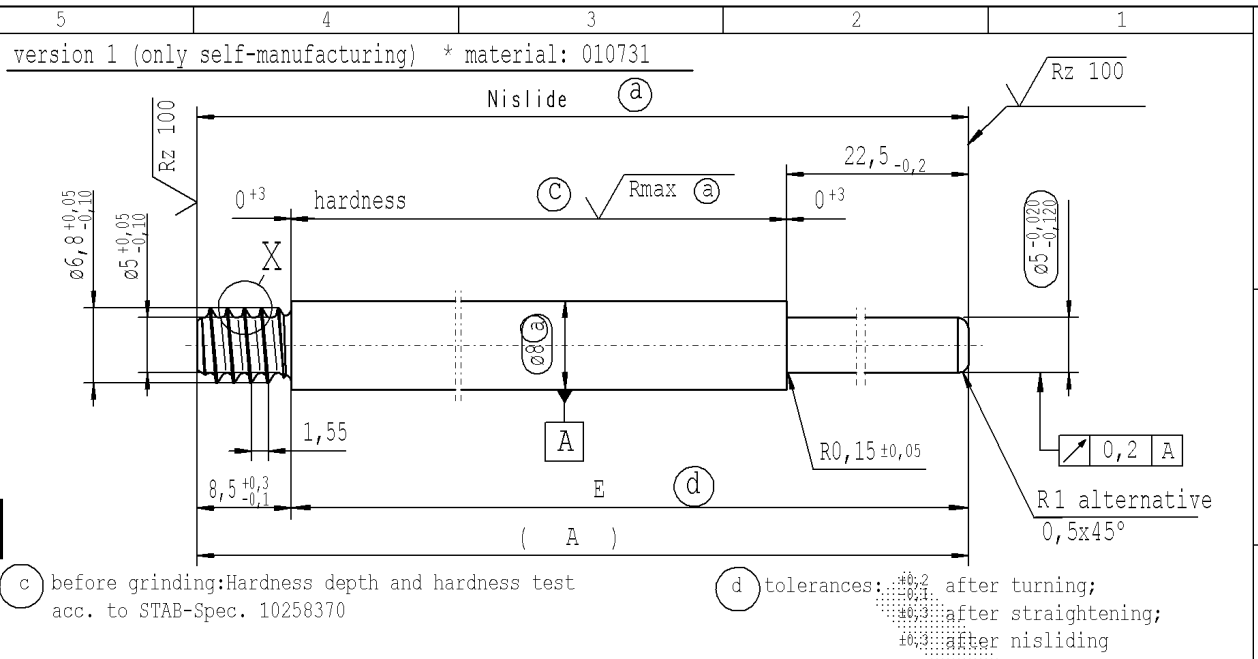
Intended for internal and supplier use

EN

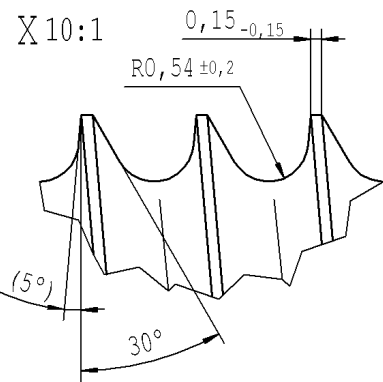
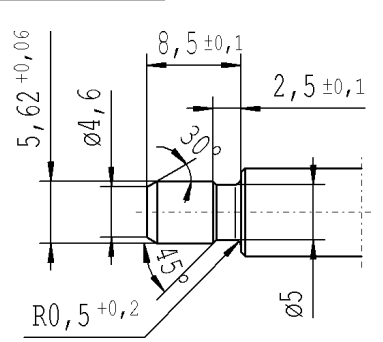
Brevet.datum: 4/4/2022 - 6:53

Ident. Doc.:

supp No.	material no.			A	E
	10006248 Tab. XVI optimized version 1	10006248 Tab. X version 1	10028959 Tab. I version 2	overall length	length without endfitting stud
42	731629	731629	731629	174.0	165.5
43	733541	733541	733541	222.0	213.5
44	735453	735453	735453	144.0	135.5
45	106406	106406	106406	360.0	351.5
46	110947	110947	110947	375.0	366.5
47	122658	122658	122658	387.0	378.5
48	150143	150143	150143	165.0	156.5
49	324852	324852	324852	339.0	330.5
50	949359	949359	949359	354.0	345.5
51	242637	242637	242637	213.0	204.5
52	256260	256260	256260	210.0	201.5
53	358074	358074	358074	379.5	371.0
54	374804	374804	374804	353.0	344.5
55	653000	653000	653000	234.0	225.5



pre-worked: (only self-manufacturing)



ZS CN   
ZS RO

AIAG CQI-standards acc. to STAB-Spec. 10027692							Environmental protection acc. to STAB-Spec. 10005649					
DE: X	EN: X	ES:	IT:	PR:	FR:	RO: X	Material: *	All dimensions are in mm	Marking of special characteristics according to STAB-Spec. 10270932	Date	Name	
new	no technical change, no new first sample required			ZS CN / ZS RO; no technical change, no new first sample required						Scale: (Original DIN A3) 2:1	Dimensions without tolerances DIN ISO 2768-mK	Drawn by
old	Tab XVI			-			Edge tolerances acc. to DIN ISO 13715	We reserve all rights to this document, to any patents or patent registrations related hereto, and to the duplication, retransmission by third parties and misc. use. Any use of this document is not permitted without the written consent of STABILUS.				
Field	F 7			B/5			Surface finish	Document No.: 10154879				
Date/Name	14.09.2021 Donat			10.03.2022 Hein			Replaces:	Material No.:				
Chg. No.	700848			707979			<b>STABILUS</b>	PISTON ROD				
Rev.	7			7								

sheet 3 of 3