

The print-out is not subject to the modification service.

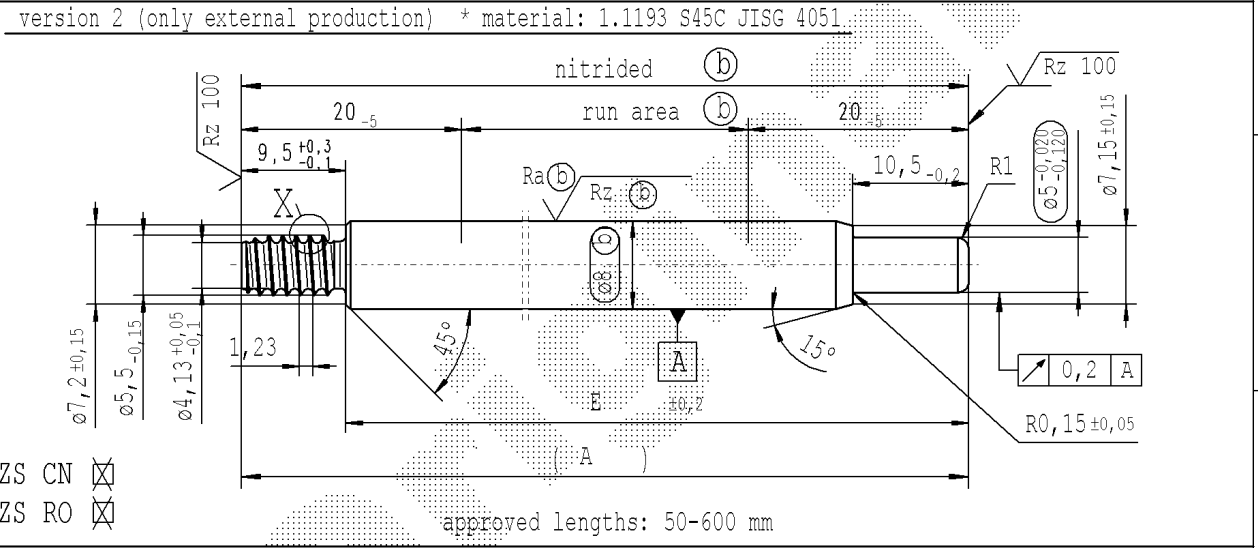
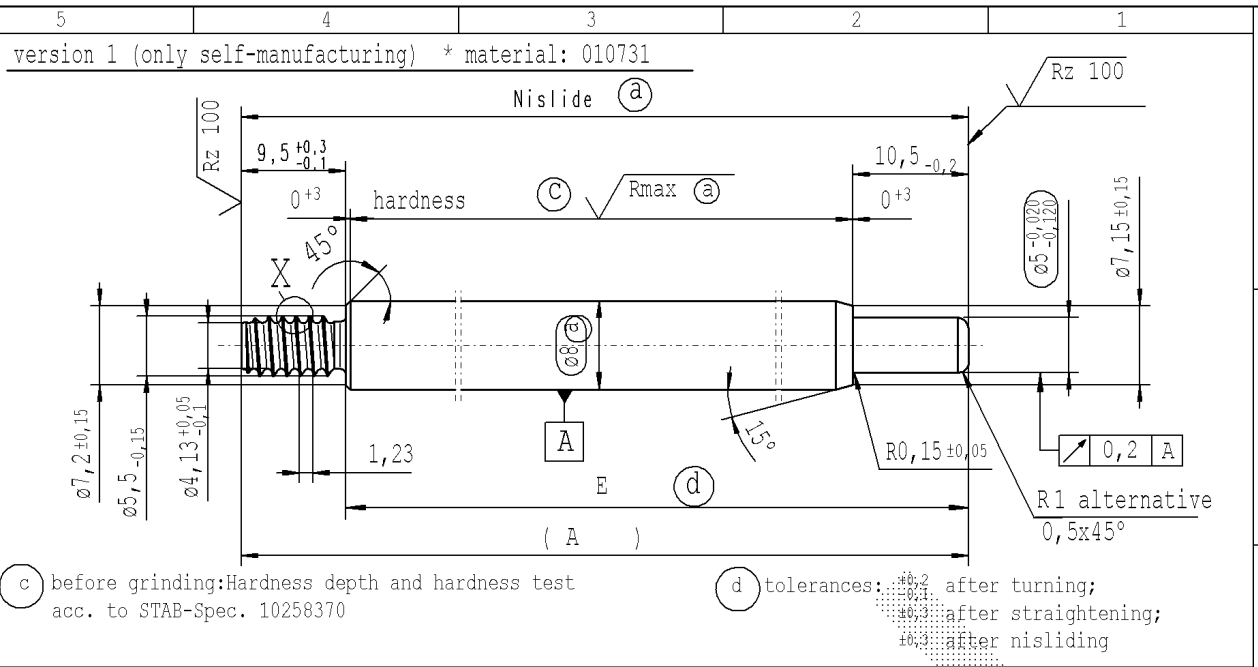
Intended for internal and supplier use

EN

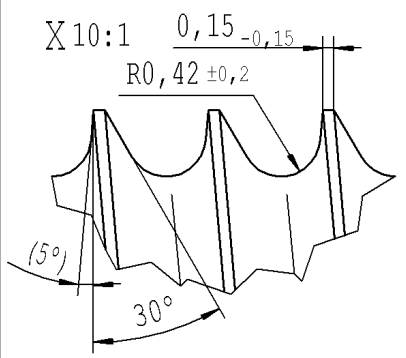
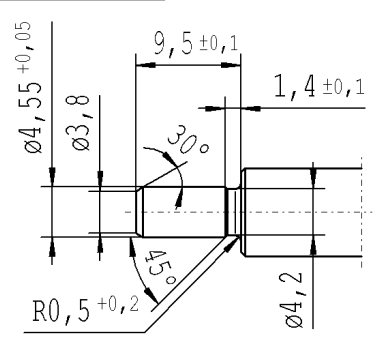
Brevell Datum: 22/3/2022 - 11:21

Ident. Doc.:

supp No.	material no.			A	E
	10006248 Tab. XVI optimized version 1	10006248 Tab. X version 1	10028959 Tab. I version 2	overall length	length without endfitting stud
144	453195	453195	453195	100.0	90.5
145	458214	458214	458214	115.5	106.0
146	458692	458692	458692	206.0	196.5
147	474705	474705	474705	87.0	77.5
148	495259	495259	495259	186.0	176.5
149	506014	506014	506014	336.0	326.5
150	509599	509599	509599	88.5	79.0
151	519398	519398	519398	324.0	314.5
152	528241	528241	528241	217.5	208.0
153	560028	560028	560028	253.5	244.0
154	578192	578192	578192	81.0	71.5
155	596117	596117	596117	348.0	338.5
156	606872	606872	606872	275.0	265.5
157	607350	607350	607350	251.0	241.5
158	607828	607828	607828	292.0	282.5
159	608784	608784	608784	293.0	283.5
160	610457	610457	610457	166.0	156.5
161	613086	613086	613086	154.0	144.5
162	614042	614042	614042	137.5	128.0



pre-worked: (only self-manufacturing)



ZS CN
ZS RO

approved lengths: 50-60 mm

sheet 8
of 12

AIAG CQI-standards acc. to STAB-Spec. 10027692				Environmental protection acc. to STAB-Spec. 10005649			
DE: X	EN: X	ES:	IT:	PR: X	FR:	RO: X	
new Tab XVI; no technical change, no new first sample required				CAD created document; handwritten changes not permitted			
old Tab IV;				ZS CN / ZS RO; no technical change, no new first sample required			
Field F 8				B/5			
Date/Name 12.08.2021 Donat				10.03.2022 Hein			
Chg. No. 699704				707979			
Rev. 14				14			
Material: *				All dimensions are in mm			
Edge tolerances acc. to DIN ISO 13715				Marking of special characteristics according to STAB-Spec. 10270932			
Surface finish DIN EN ISO 1302				Scale: (Original DIN A3) 2:1			
Replaces:				We reserve all rights to this document, to any patents or patent registrations related hereto, and to the duplication, retransmission by third parties and misc. use. Any use of this document is not permitted without the written consent of STABILUS.			
STABILUS				PISTON ROD			
				Date 05.12.2007 Name Höfer			
				Checked 11.03.2022 Klinkner			
				Document No.: 10151066			
				Material No.:			