

The print-out is not subject to the modification service.

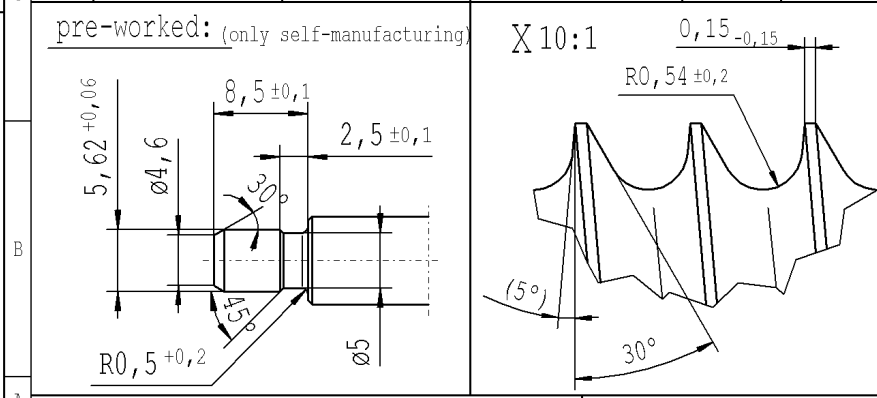
Intended for internal and supplier use

EN

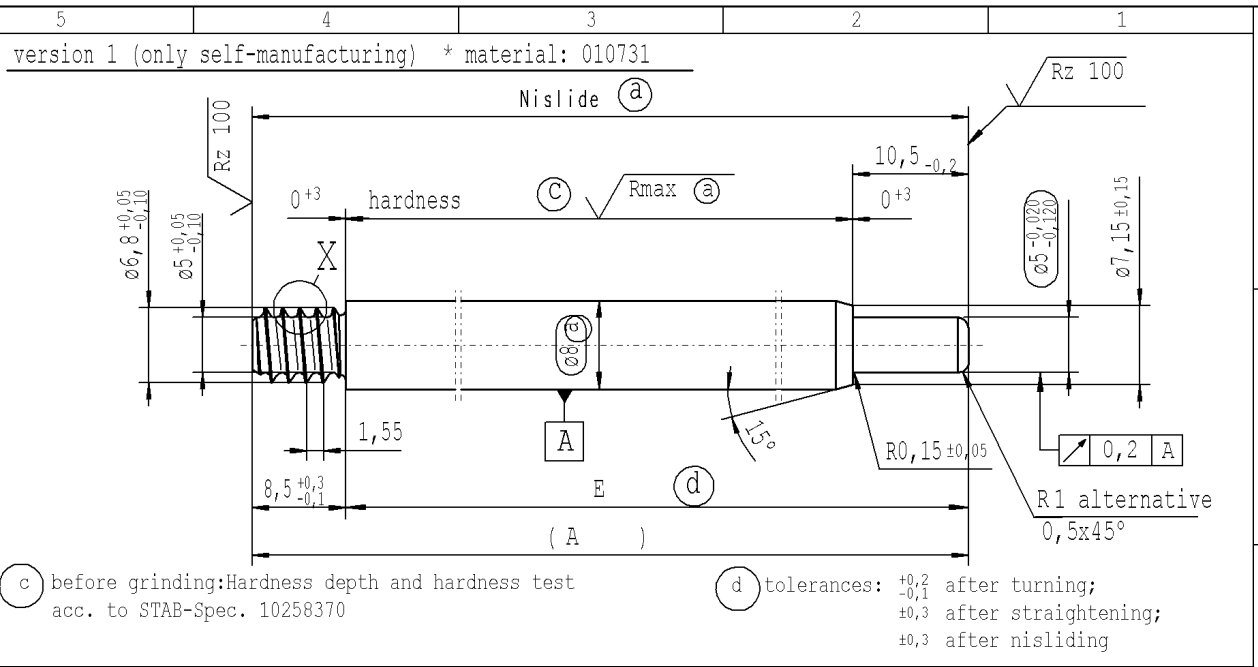
Brevellatum: 30/11/2021 - 9:50

Ident. Doc.:

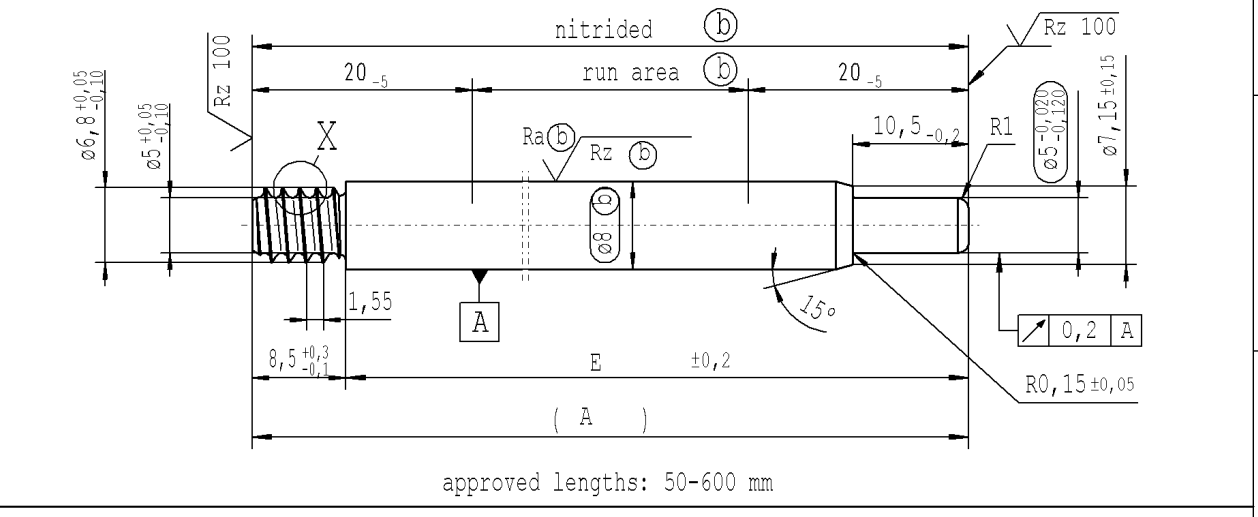
supp No.	material no.			A	E
	10006248 Tab. XVI optimized version 1	10006248 Tab. X version 1	10028959 Tab. I version 2	overall length	length without endfitting stud
234	130520	130520	130520	302.0	293.5
235	144621	144621	144621	321.0	312.5
236	657515	657515	657515	249.0	240.5
237	410628	410628	410628	283.0	274.5
238	964391	964391	964391	183.0	174.5
243	958420	958420	958420	182.0	173.5
246	205332	205332	205332	173.5	165.0
248	349688	349688	349688	267.0	258.5
249	350166	350166	350166	158.0	149.5
251	351600	351600	351600	276.0	267.5
253	353034	353034	353034	255.0	246.5
255		383387	383387	183.0	174.5
256	778215	778215	778215	335.0	326.5
257	779410	779410	779410	257.5	249.0
258	780366	780366	780366	120.0	111.5
259	871903	871903	871903	125.5	117.0
260	275838	275838	275838	351.0	342.5
261	278945	278945	278945	167.0	158.5
262	290178	290178	290178	184.0	175.5



AIAG CQI-standards acc. to STAB-Spec. 10027692



version 2 (only external production) * material: 1.1193 S45C JISG 4051



Environmental protection acc. to STAB-Spec. 10005649

Material: *

All dimensions are in mm

Scale: (Original DIN A3) 2:1

Surface finish: DIN EN ISO 1302

Replaces:

Marking of special characteristics according to STAB-Spec. 10270932

Dimensions without tolerances: DIN ISO 2768-mK

We reserve all rights to this document, to any patents or patent registrations related hereto, and to the duplication, retransmission by third parties and misc. use. Any use of this document is not permitted without the written consent of STABILUS.

Document No.: 10151065

Material No.:

DE: X	EN: X	ES:	IT:	PR: X	FR:	RO: X	CAD created document; handwritten changes not permitted	Material: *	All dimensions are in mm	Marking of special characteristics according to STAB-Spec. 10270932	Date: 05.12.2007	Name: Höfer
new	(5°); no technical change, no new first sample required		Tab XVI; no technical change, no new first sample required					Edge tolerances acc. to DIN ISO 13715	Scale: (Original DIN A3) 2:1	Dimensions without tolerances: DIN ISO 2768-mK	Checked: 12.08.2021	Milles
old	5°		Tab IV;					Surface finish: DIN EN ISO 1302			Document No.: 10151065	
Field	B/6-7		F 8					Replaces:			Material No.:	
Date/Name	31.03.2021 Hein		12.08.2021 Donat									
Chg. No.	696924		699704									
Rev.	21		21									

STABILUS

PISTON ROD

sheet 12 of 16