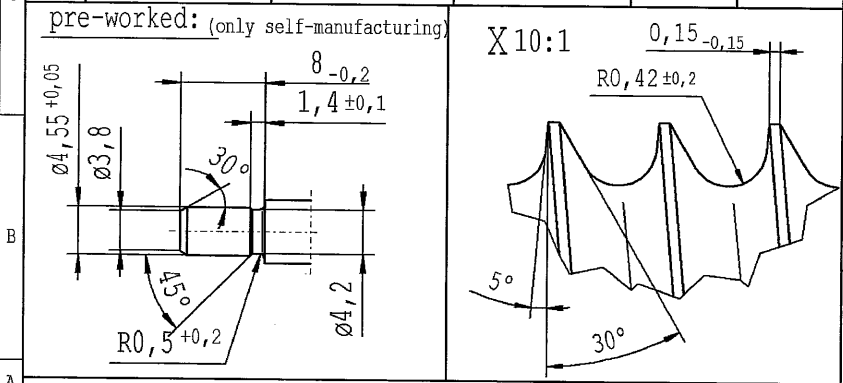
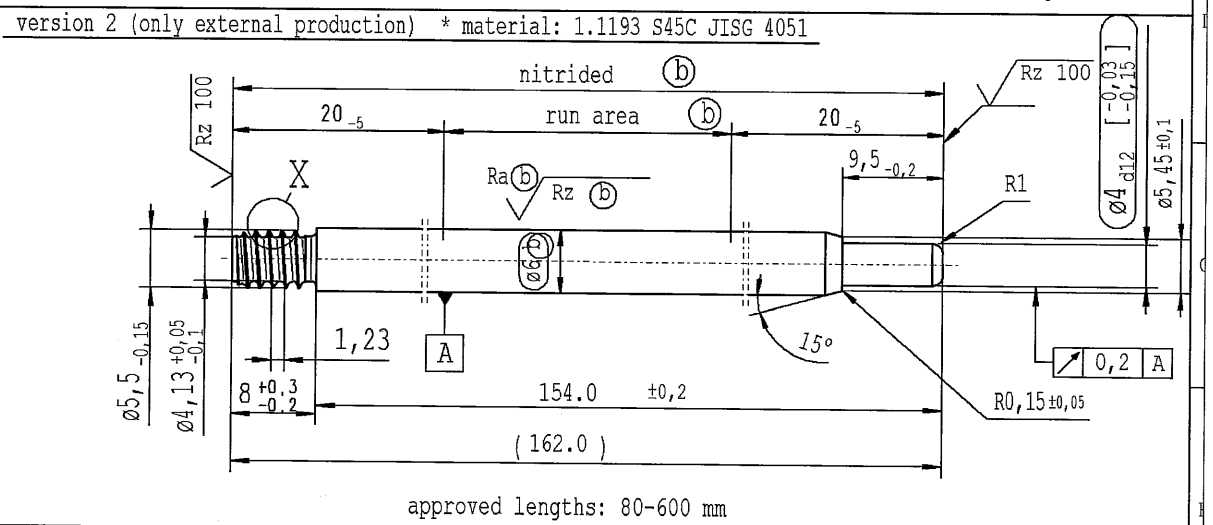
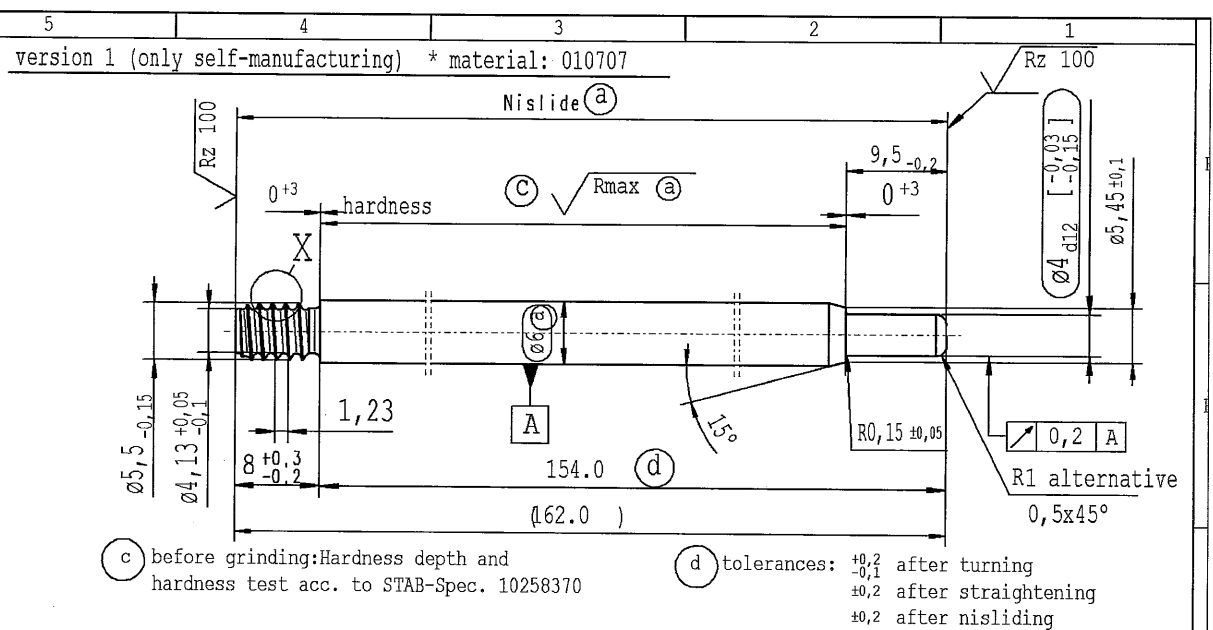


Ident. Doc.: 25/15/2022 - 8:28
Intended for internal and supplier use
The print-out is not subject to the modification service.

F	supp No.	material no.			A	E
		processing and surface treatment acc. to STAB-Spec.				
		10006248 Tab. IV version 1	10006248 Tab. X version 1	10028959 Tab. I version 2		
41	827465		827465	137.5	129.5	
42	500514		500514	198.0	190.0	
43	522263		522263	162.0	154.0	
44	524414		524414	119.0	111.0	
45	524892		524892	84.0	76.0	
E	46	544490		544490	156.0	148.0
	47	553333		553333	143.5	135.5
	48	576994		576994	190.0	182.0
	49	590856		590856	108.0	100.0
	50	595158		595158	168.0	160.0
	51	604479		604479	173.0	165.0
	52	636745		636745	66.0	58.0
D	53	134130		134130	97.5	89.5
	54	174522		174522	150.0	142.0



$\sqrt{Rz 25}$ ($\sqrt{Rz 100}$ $\sqrt{Rmax (a)}$ $Ra (b)$ $Rz (b)$) $\downarrow +0.2$ $\downarrow -0.2$

sheet 3
of 3

DE: X EN: X ES: IT: PR: FR: RO: X						CAD created document handwritten changes not permitted			Material: *			Environmental protection acc. to STAB-Spec. 10005649							
new approved lengths: 80-600mm		ZhangShi		detail X reworked		© = acc. STAB-Spec. 10258370		new format Internal/Supplier			All dimensions are in mm		Marking of special characteristics according to STAB-Spec. 1027932		Date 07.12.2007		Name Höfer		
old approved lengths: 80-200mm		China		-		© = RHT 0,4 0,7 mm		Supplier drawing separately			Scale: (Original DIN A3) 2:1		Dimensions without tolerances DIN ISO 2768-mK		Checked 08.09.2020		Klinkner		
Field B/3-4		C3/F7		E-F/4-5		B 4-5		-			We reserve all rights to this document, to any patents or patent registrations related hereto, and to the duplication, retransmission by third parties and misc. use. Any use of this document is not permitted without the written consent of STABILUS.		Document No.: 10151336		Material No.:				
Date/Name 24.11.2015 Hein		20.04.2017 Höfer		15.04.2019 Hein		15.05.2019 Jablonski		08.09.2020 Donat		Replaces:		STABILUS		PISTON ROD					
Chg. No. 630576		655549		677388		678682		691199											
Rev. 6		7		8		9		10											