

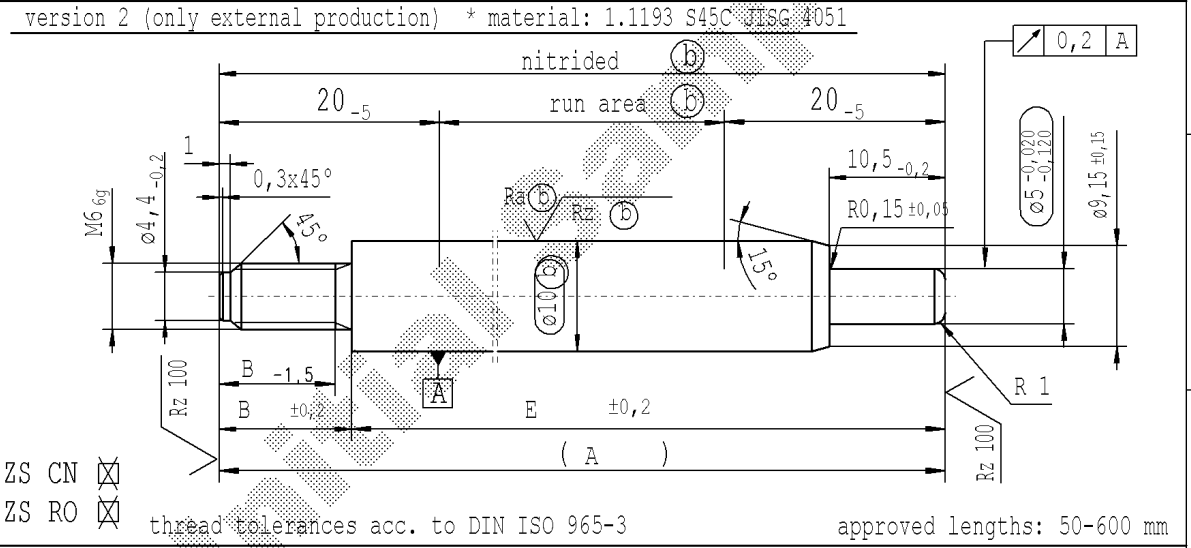
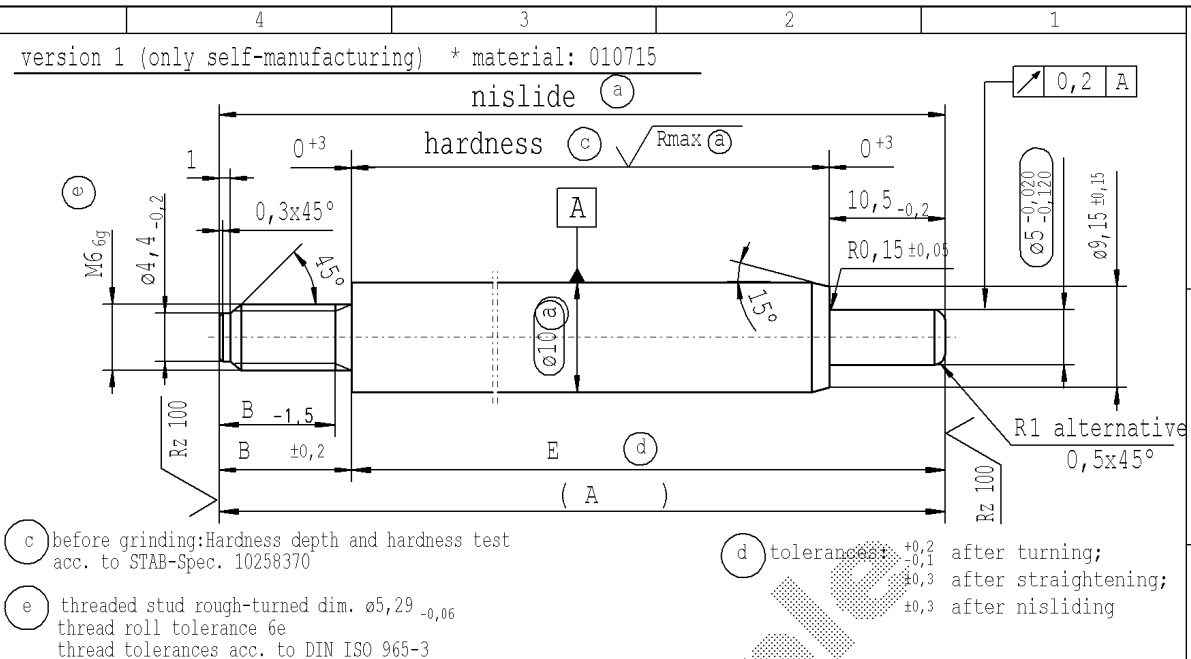
The print-out is not subject to the modification service.

Intended for internal and supplier use

EN

Ident. Doc. :
Bretel.datum: 23/03/2022 - 11:56

supp No.	material no.			A overall length	B thread length	E length without end-fitting stud
	10006248 Tab. XVI optimized version 1	10006248 Tab. X version 1	10028959 Tab. I version 2			
1	484223	484223	484223	195	7	188
2	772937	772937	772937	207	7	200
3	642927	642927	642927	102	7	95
4	424728	424728	424728	300	7	293
5	424967	424967	424967	501	7	494
7	346097	346097	346097	456	7	449
8	302605	302605	302605	198	7	191
9	436210	436210	436210	159	7	152
10	587500	587500	587500	450	7	443
11	638885	638885	638885	399	7	392
12	199366	199366	199366	213	7	206
13	579854	579854	579854	282	7	275
14	580332	580332	580332	276	7	269
15	581288	581288	581288	201	7	194
16	353761	353761	353761	234	7	227
17	881715	881715	881715	177	7	170
18	848495	848495	848495	297	7	290
19	314093	314093	314093	228	7	221
20	498123	498123	498123	447	7	440
21	829855	829855	829855	123	7	116
22	294735	294735	294735	114	7	107
23	097800	097800	097800	507	7	500
24	590140	590140	590140	252	7	245
25	321983	321983	321983	429	7	422
26	323656	323656	323656	402	7	395
27	324134	324134	324134	384	7	377
28	324851	324851	324851	435	7	428
29	325568	325568	325568	303	7	296
30	326285	326285	326285	324	7	317



$\sqrt{Rz 25}$ ($\sqrt{Rz 100}$ \sqrt{Rmax} (a) \sqrt{Ra} (b) \sqrt{Rz} (b)) $\begin{matrix} +0,2 \\ -0,2 \end{matrix}$

sheet 1 of 3

AIAG CQI-standards acc. to STAB-Spec. 10027692				Environmental protection acc. to STAB-Spec. 10005649			
DE: X	EN: X	ES:	IT:	PR:	FR:	RO: X	
CAD created document; handwritten changes not permitted				Material: *			
new ZS CN / ZS RO; no technical change, no new first sample required				All dimensions are in mm			
old -				Marking of special characteristics according to STAB-Spec. 10270932			
Field B/5				Scale: (Original DIN A3) 2:1			
Date/Name 10.03.2022 Hein				Surface finish DIN EN ISO 1302			
Chg. No. 707979				Replaces:			
Rev. 7				We reserve all rights to this document, to any patents or patent registrations related hereto, and to the duplication, retransmission by third parties and misc. use. Any use of this document is not permitted without the written consent of STABILUS.			
				STABILUS PISTON ROD			
				Date 19.11.2008 Name Hein Drawn by 23.03.2022 Klinkner Checked 10160325 Document No.: Material No.:			

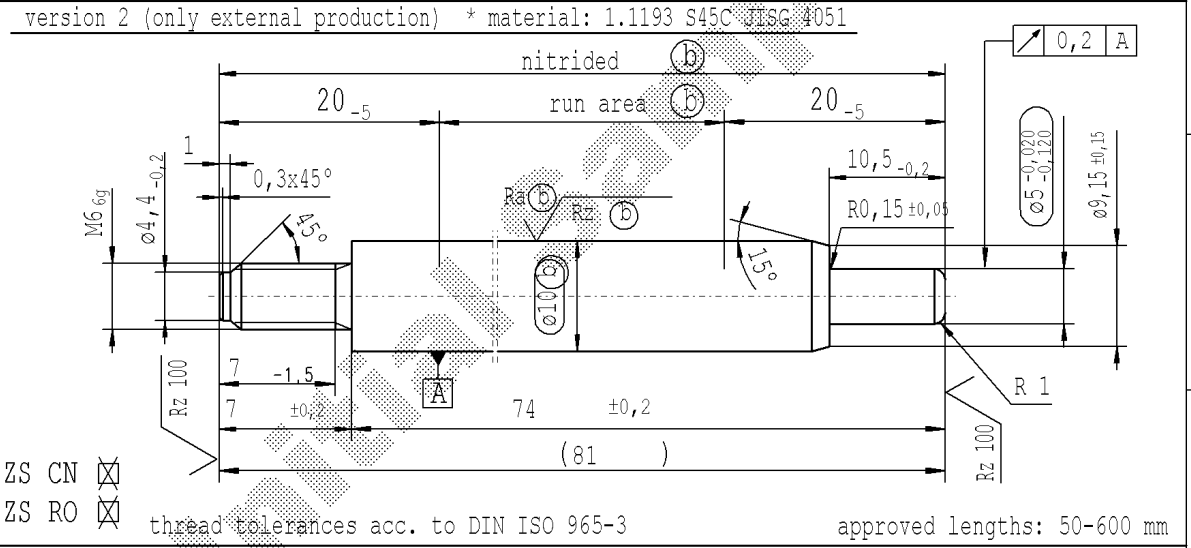
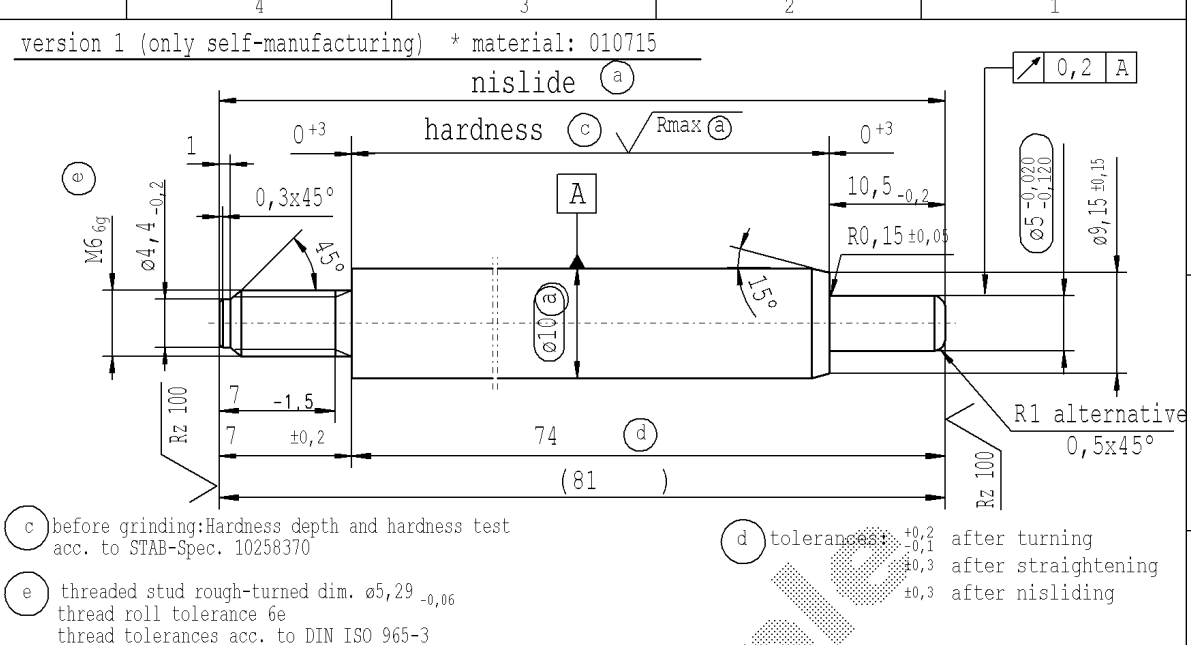
The print-out is not subject to the modification service.

Intended for internal and supplier use

EN

Ident. Doc. :
rev.1.datum: 23/03/2022 - 11:56

supp No.	material no.			A overall length	B thread length	E length without end-fitting stud
	10006248 Tab. XVI optimized version 1	10006248 Tab. X version 1	10028959 Tab. I version 2			
31	327002	327002	327002	309	7	302
32	327480	327480	327480	360	7	353
33	328675	328675	328675	327	7	320
34	329153	329153	329153	351	7	344
35	455106	455106	455106	189	7	182
36	607110	607110	607110	528	7	521
37	634356	634356	634356	315	7	308
38	638658	638658	638658	339	7	332
39	735931	735931	735931	411	7	404
40	997158	997158	997158	348	7	341
41	051914	051914	051914	246	7	239
42	226862	226862	226862	258	7	251
43	896540	896540	896540	153	7	146
44	902037	902037	902037	240	7	233
45	905383	905383	905383	108	7	101
46	060041	060041	060041	249	7	242
47	071513	071513	071513	163	7	156
48	082507	082507	082507	165	7	158
49	100671	100671	100671	162	7	155
50	105451	105451	105451	231	7	224
51	146559	146559	146559	93	7	86
52	148471	148471	148471	267	7	260
53	154924	154924	154924	81	7	74
54	157314	157314	157314	222	7	215
55	168786	168786	168786	144	7	137
56	236423	236423	236423	255	7	248
57	253631	253631	253631	237	7	230
58	323180	323180	323180	129	7	122
59	349948	349948	349948	204	7	197



ZS CN
ZS RO

thread tolerances acc. to DIN ISO 965-3

approved lengths: 50-600 mm

$\sqrt{Rz 25}$ ($\sqrt{Rz 100}$ $\sqrt{R_{max}}$ (a) \sqrt{Ra} (b) \sqrt{Rz} (b)) $\pm 0,2$ $\pm 0,2$

sheet 2 of 3

AIAG CQI-standards acc. to STAB-Spec. 10027692				Environmental protection acc. to STAB-Spec. 10005649			
DE: X	EN: X	ES:	IT:	PR:	FR:	RO: X	CAD created document handwritten changes not permitted
new	ZS CN / ZS RO no technical change, no new first sample required			$\phi 10$ (b) no technical change, no new first sample required			
old	-			$\phi 10$ (a)			
Field	B/5			B/5			
Date/Name	10.03.2022 Hein			23.03.2022 Hein			
Chg. No.	707979			707982			
Rev.	7			7			
Material: *				All dimensions are in mm			
Edge tolerances acc. to DIN ISO 13715				Scale: (Original DIN A3) 2:1			
Surface finish DIN EN ISO 1302				Marking of special characteristics according to STAB-Spec. 10270932			
Replaces:				We reserve all rights to this document, to any patents or patent registrations related hereto, and to the duplication, retransmission by third parties and misc. use. Any use of this document is not permitted without the written consent of STABILUS.			
STABILUS				PISTON ROD			
				Date: 19.11.2008 Name: Hein			
				Checked: 23.03.2022 Klinkner			
				Document No.: 10160325			
				Material No.:			

