

The print-out is not subject to the modification service.

Intended for internal and supplier use

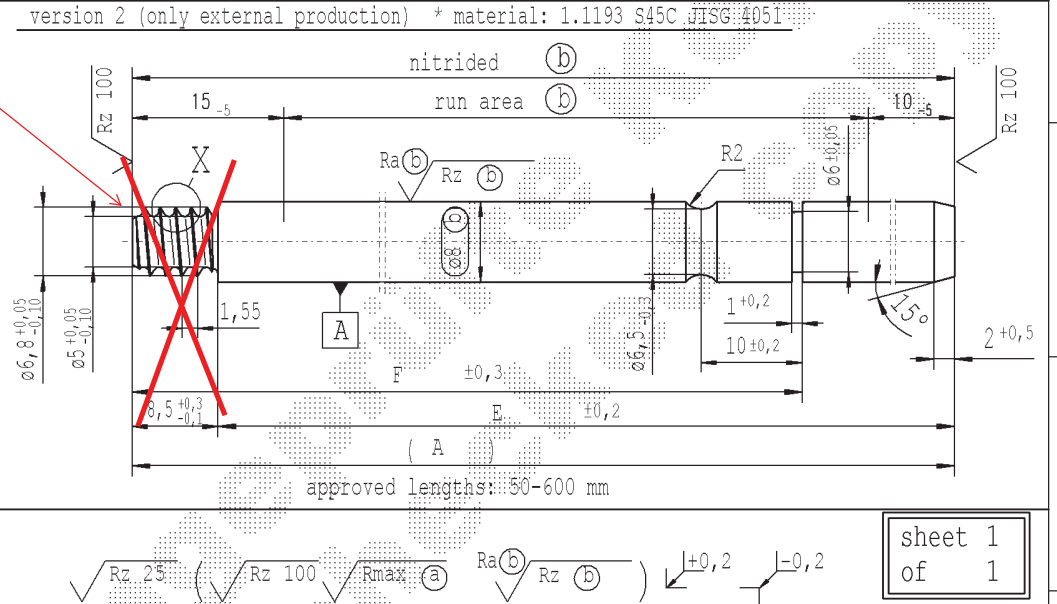
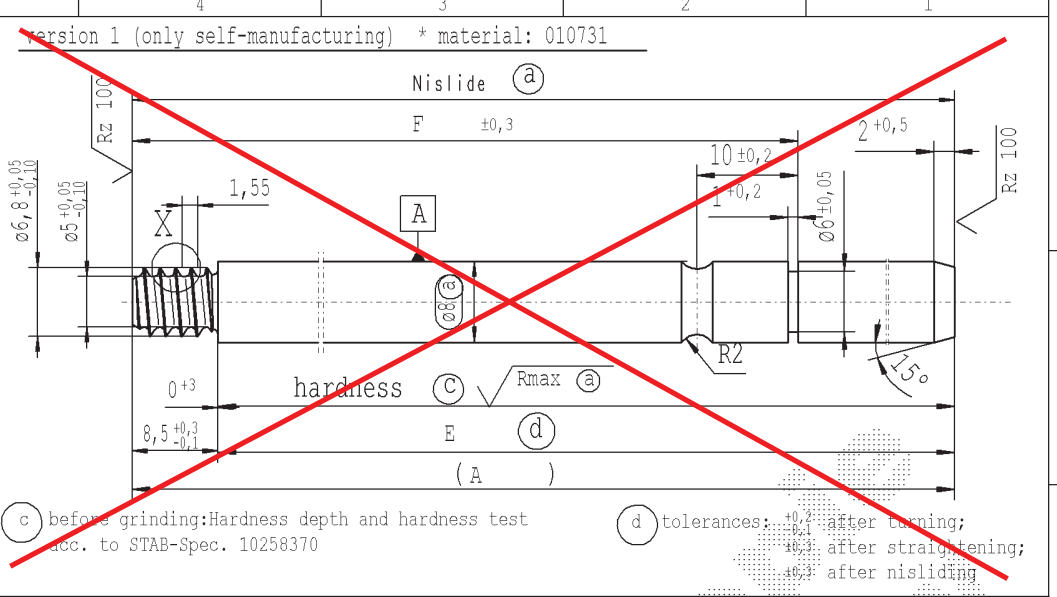
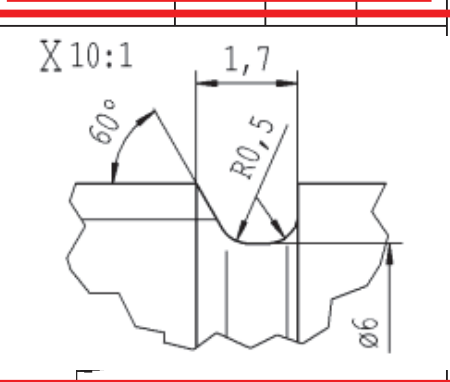
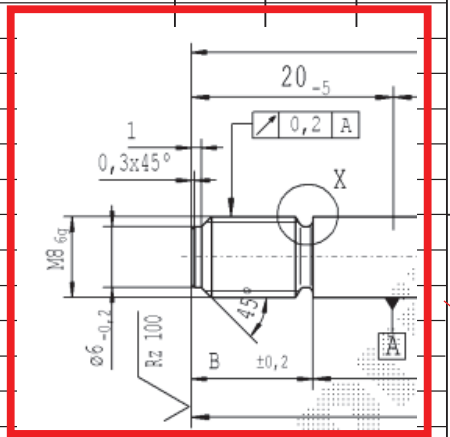
EN

Installationdatum: 20/1/2021 - 14:46

Ident. Doc.:

supp No.	material no.			A	E	F
	10006248 Tab. IV version 1	10006248 Tab. X version 1	10028959 Tab. I version 2	overall length	length without endfitting stud	length to groove end
1		606615	606615	235	226.5	132
2		557393	557393	228	219.5	129
3		460361	460361	377	368.5	214

x | | xxxxxxxx | xxxxxxxxxx | 426 | 417 | 234



sheet 1
of 1

AIAG CQI-standards acc. to STAB-Spec. 10028692				Environmental protection acc. to STAB-Spec. 10005649				
DE: X	EN: X	ES:	IT:	PR:	FR:	RO: X	CAD created document; handwritten changes not permitted	
new	position of angle 5° corrected; 8,5 ±0.1	⊙ = acc. STAB-Spec. 10258370	2019/0882	new format Internal/Supplier			Material: *	
old	wrong position of angle 5°; (8,5)	⊙ = RHT 0,4 0,7 mm	2018/xxxx	Supplier drawing separately			Edge tolerances acc. to DIN ISO 13715	
Field	B-C/1-3; D/4	B8	B6	-			Surface finish: DIN EN ISO 1302	
Date/Name	15.03.2019 Hein	24.04.2019 Höfer	17.06.2020 Höfer	30.06.2020 Höfer			Regüläre:	
Chg. No.	676120	678037	689162	689714			STABILUS	
Rev.	6	7	8	9			PISTON ROD	
							Date	Name
							Drawn by	16.10.2017 Höfer
							Checked	30.06.2020 Klinkner
							Document No.:	10249121
							Material No.:	NEW