

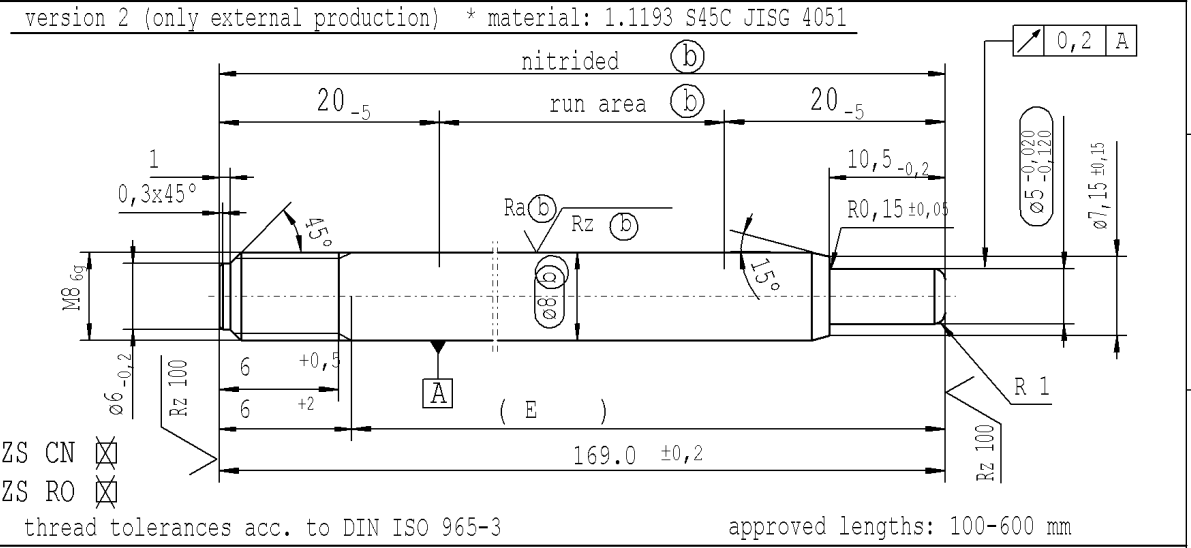
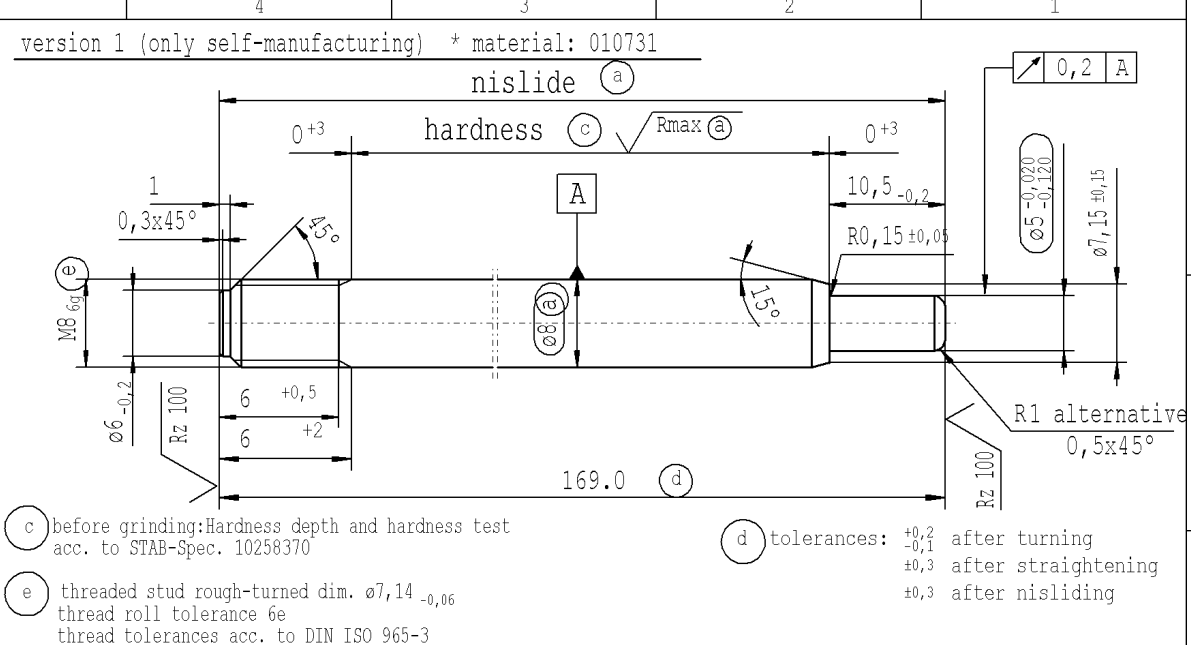
The print-out is not subject to the modification service.

Intended for internal and supplier use

Ident. Doc.:

Date: 14.06.2022 / 11:30:59 \*\*\*\*\* Ausdruck nicht massgetreu \*\*\*\*\*

supp No.	material no.				A	B
	processing and surface treatment acc. to STAB-Spec.				overall length	thread length
	10006248 Tab. XVI optimized version 1	10006248 Tab. V version 1	10006248 Tab. X version 1	10028959 Tab. I version 2		
64	642482			642482	240.0	10
65	642960			642960	417.0	10
66	645111			645111	303.0	10
67	686219			686219	222.0	10
68	688370			688370	159.0	10
69	704622			704622	132.0	10
70	730673			730673	279.0	10
71	972780			972780	189.0	10
72	997636			997636	222.0	6
73	073424			073424	127.0	10
74	113815			113815	171.0	10
75	127438			127438	198.0	10
76	146319			146319	660.0	10
77	148231			148231	291.0	10
78	036858			036858	213.0	20
79	251002			251002	285.0	10
80	675944			675944	207.0	6
81	712989			712989	169.0	6
82	718008			718008	129.0	8
83	718486			718486	212.0	6



$\sqrt{Rz\ 25}$  ( $\sqrt{Rz\ 100}$   $\sqrt{R_{max}}$  (a)  $\sqrt{Ra}$  (b)  $\sqrt{Rz}$  (b))  $\downarrow$  +0,2  $\downarrow$  -0,2

sheet 4 of 6

AIAG CQI-standards acc. to STAB-Spec. 10027692							Environmental protection acc. to STAB-Spec. 10005649							
DE: X	EN: X	ES:	IT:	PR:	FR:	RO: X	CAD created document handwritten changes not permitted			Material: *	All dimensions are in mm	Marking of special characteristics according to STAB-Spec. 10270932	Date	Name
new	Tab XVI no technical change, no new first sample required						ZS CN / ZS RO no technical change, no new first sample required				Scale: (Original DIN A3) 2:1	Dimensions without tolerances DIN ISO 2768-mK	Drawn by	05.03.2014 Höfer
old	Tab IV						-			Edge tolerances acc. to DIN ISO 13715			Checked	11.03.2022 Klinkner
Field	F 8						B/5			Surface finish	We reserve all rights to this document, to any patents or patent registrations related hereto, and to the duplication, retransmission by third parties and misc. use. Any use of this document is not permitted without the written consent of STABILUS.			
Date/Name	16.08.2021 Donat						10.03.2022 Hein			Replaces:	Document No.: 10210124			
Chg. No.	699704						707981				Material No.:			
Rev.	7						7			<b>STABILUS</b>	<b>PISTON ROD</b>			