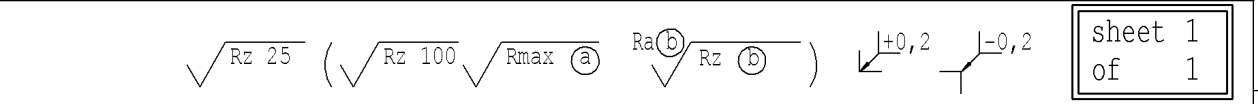
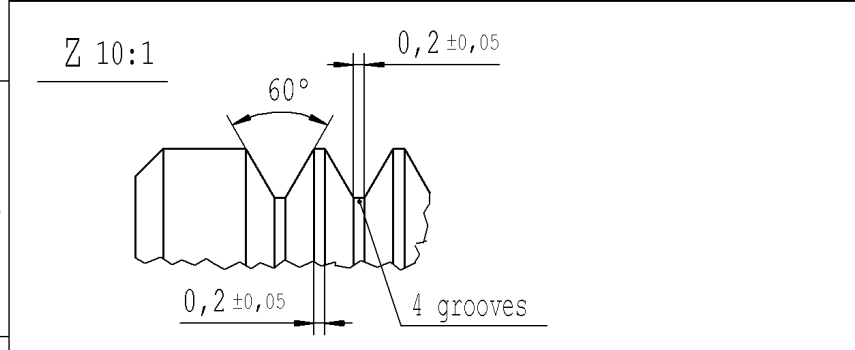
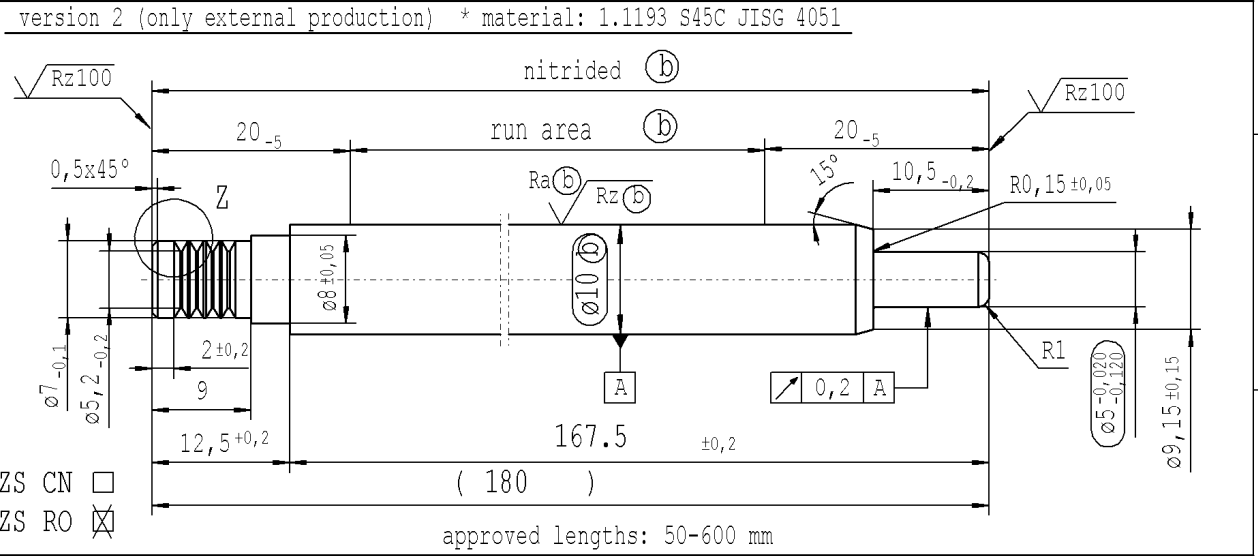
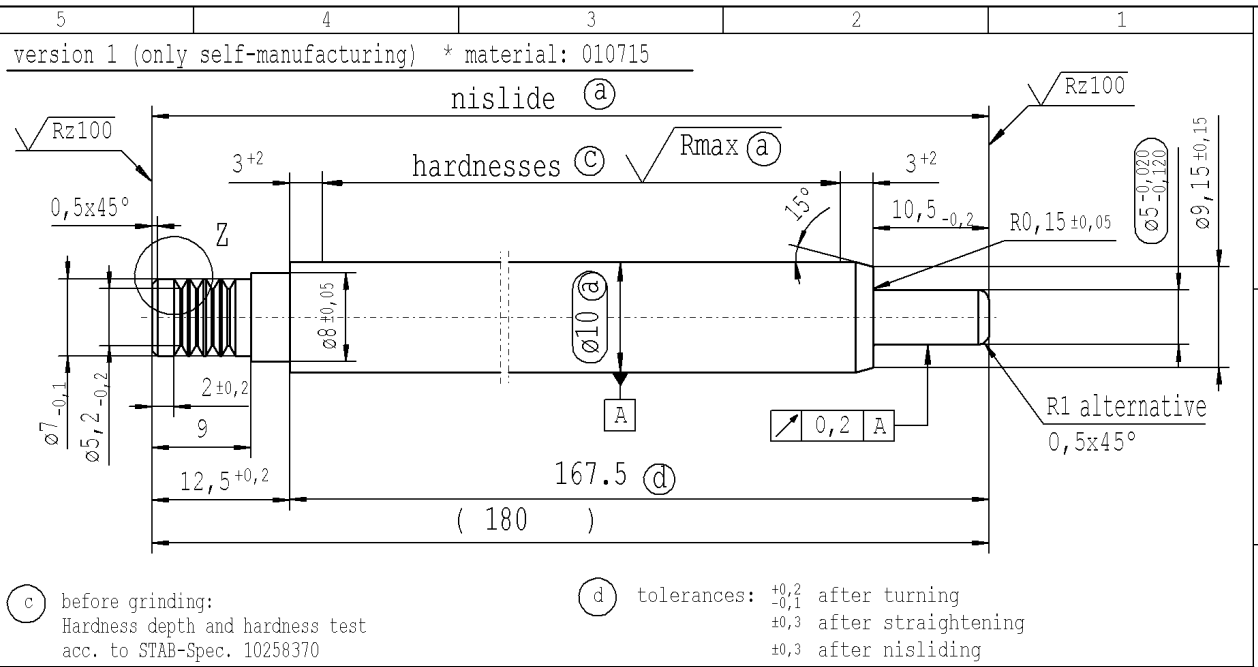


The print-out is not subject to the modification service.

Intended for internal and supplier use

Ident. Doc.:
Date/Name: 17.05.2022 / 14:22:21
***** Ausdruck nicht massgetreu *****

supp No.	material no.			A	E
	10006248 Tab. IV version 1	10006248 Tab. X version 1	10028959 Tab. I version 2	overall length	length without endfitting stud
1	193878	193878	193878	171	158.5
2	600181	600181	600181	207	194.5
3	608307	608307	608307	180	167.5



AIAG CQI-standards acc. to STAB-Spec. 10027692				Environmental protection acc. to STAB-Spec. 10005649									
DE: X	EN: X	ES:	IT:	PR:	FR:	RO: X	CAD created document handwritten changes not permitted	Material: *	All dimensions are in mm	Marking of special characteristics according to STAB-Spec. 10270932	Date	Name	
new	INITIAL RELEASE	ZS CN / ZS RO no technical change, no new first sample required							Scale: (Original DIN A3) 2:1	Dimensions without tolerances DIN ISO 2768-mK		07.05.2021	C.Hein
old	-										Checked	14.04.2022	Klinkner
Field	-	B/5											
Date/Name	07.05.2021 Hein	14.04.2022 Hein											Document No.: 10293634
Chg. No.	-	709727											Material No.:
Rev.	0	0											
								STABILUS	PISTON ROD				