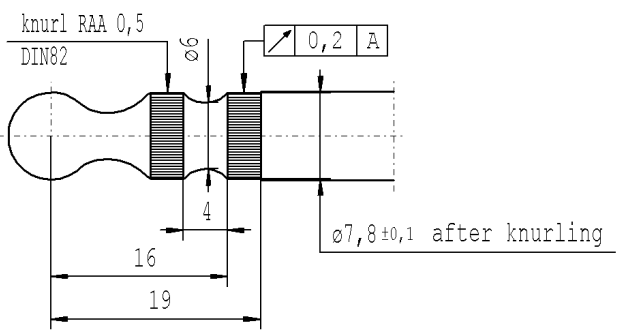
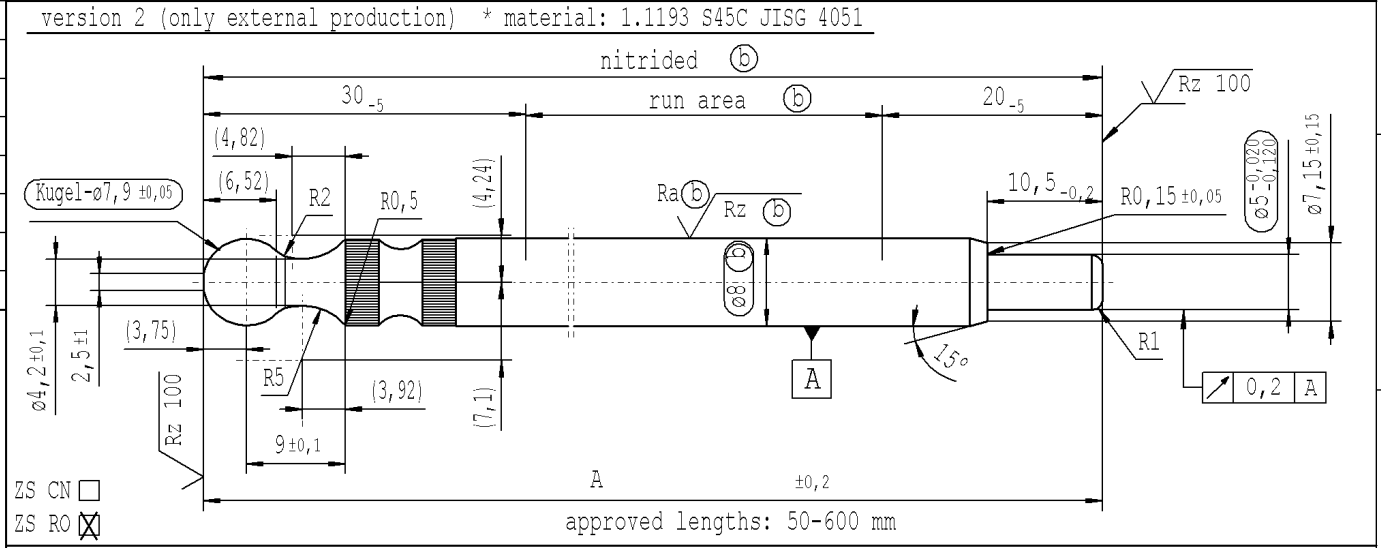
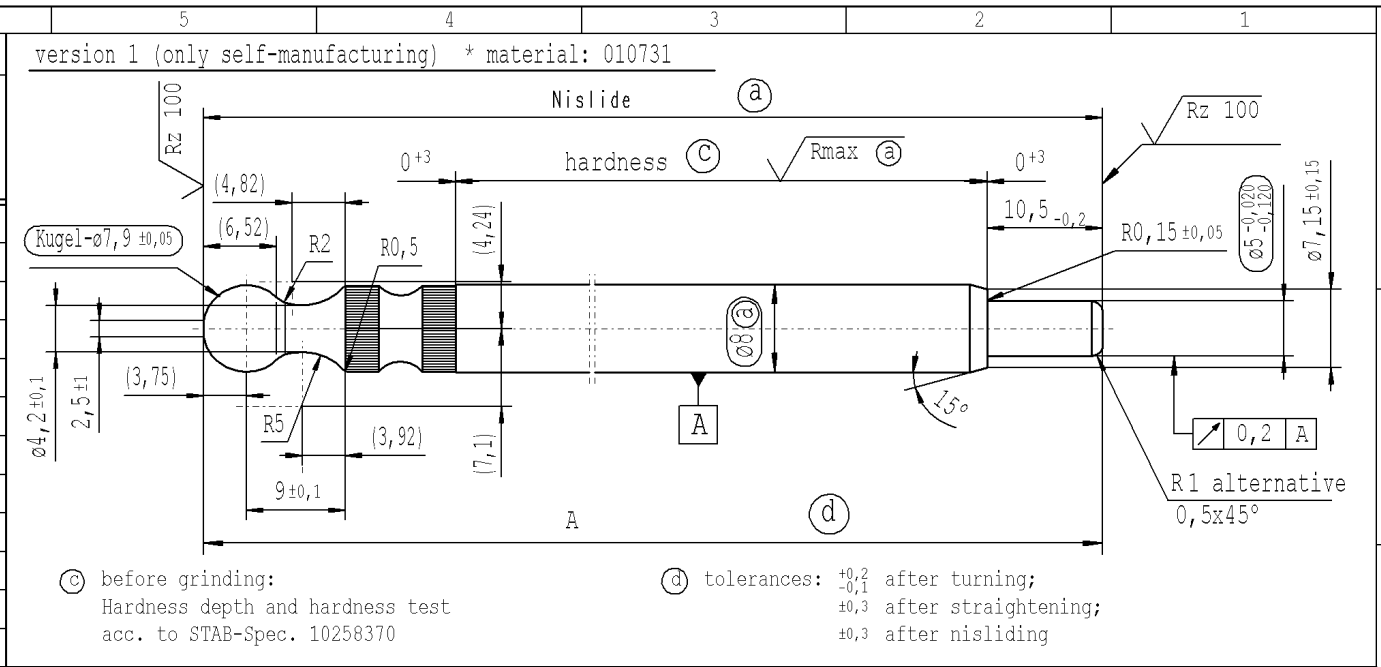


Ident. Doc.:
Date/Name: 15.06.2022 Hein
Chg. No.: -
Rev.: 0

Intended for internal and supplier use

The print-out is not subject to the modification service.

supp	material no.			A
No.	processing and surface treatment acc. to STAB-Spec. 10006248 Tab. XVI optimized			overall length
	(a) version 1	(a) version 1	(b) version 2	
1	620975	620975	620975	255
2	874076	874076	874076	411



AIAG CQI-standards acc. to STAB-Spec. 10027692										Environmental protection acc. to STAB-Spec. 10005649										
DE: X	EN: X	ES:	IT:	PR:	FR:	RO: X	CAD created document; handwritten changes not permitted			Material: *	All dimensions are in mm					Marking of special characteristics according to STAB-Spec. 10270932				
new	INITIAL RELEASE									Edge tolerances acc. to DIN ISO 13715	Scale: (Original DIN A3) 2:1					Dimensions without tolerances DIN ISO 2768-mK				
old	-									Surface finish DIN EN ISO 1302	We reserve all rights to this document, to any patents or patent registrations related hereto, and to the duplication, retransmission by third parties and misc. use. Any use of this document is not permitted without the written consent of STABILUS.					Date: 15.06.2022 Name: Hein				
Field	-									Replaces:						Checked: 20.06.2022 Klinkner				
Date/Name	15.06.2022 Hein															Document No.: 10308529				
Chg. No.	-															Material No.:				
Rev.	0									STABILUS	PISTON ROD									

sheet 1 of 1