

The print-out is not subject to the modification service.

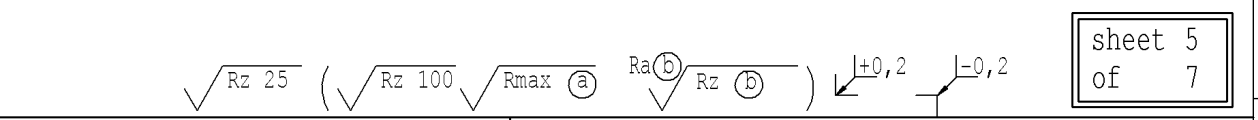
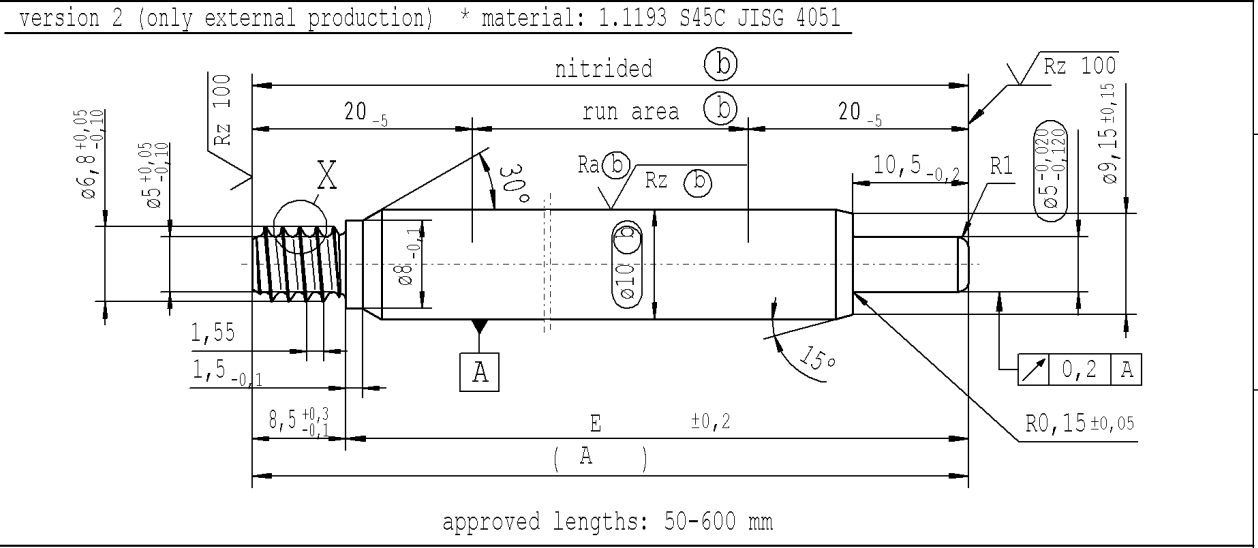
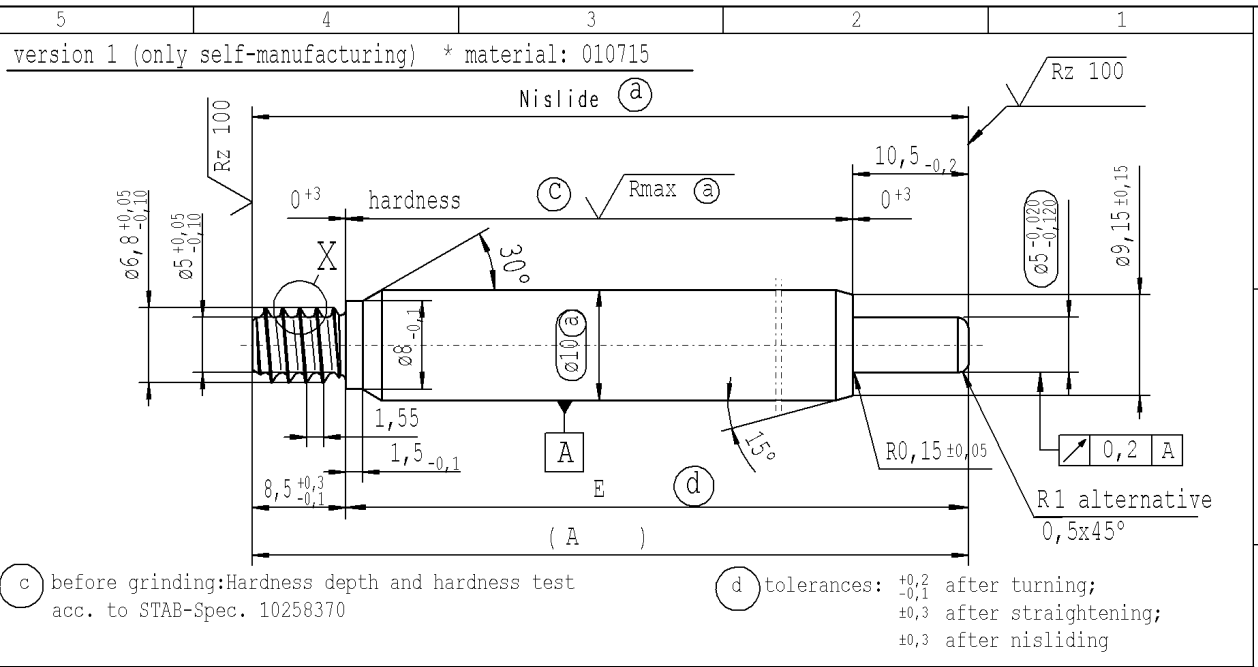
Intended for internal and supplier use

EN

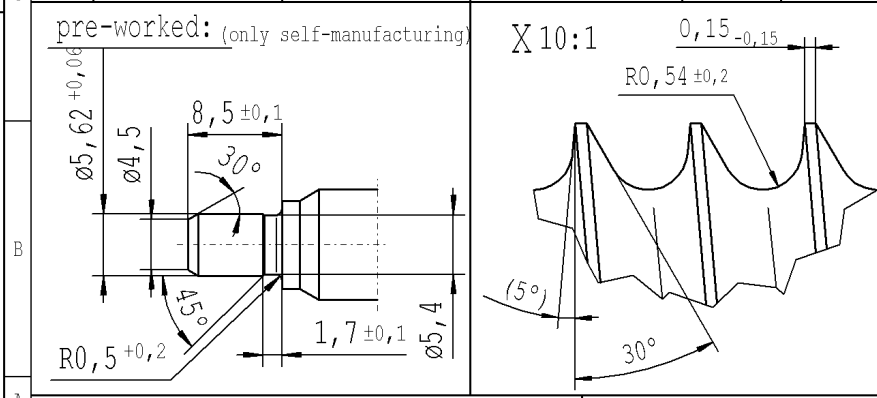
Brevellatum: 14/02/2021 - 13:40

Ident. Doc.:

supp No.	material no.			A	E
	10006248 Tab. XVI optimized version 1	10006248 Tab. X version 1	10028959 Tab. I version 2	overall length	length without endfitting stud
85	492618	492618	492618	132.0	123.5
86	494530	494530	494530	303.0	294.5
87	993562	993562	993562	168.0	159.5
88	154434	154434	154434	213.0	204.5
89	422832	422832	422832	324.0	315.5
90	874306	874306	874306	381.0	372.5
91	937163	937163	937163	255.0	246.5
92	235223	235223	235223	177.0	168.5
93	089673	089673	089673	348.0	339.5
94	109988	109988	109988	492.0	483.5
95	110944	110944	110944	308.0	299.5
96	148228	148228	148228	384.0	375.5
97	149662	149662	149662	414.0	405.5
98	151813	151813	151813	130.5	122.0
99	155637	155637	155637	378.0	369.5
100	156354	156354	156354	162.0	153.5
101	160895	160895	160895	135.0	126.5
102		161612	161612	180.0	171.5
103	163763	163763	163763	293.5	285.0



sheet 5 of 7



AIAG CQI-standards acc. to STAB-Spec. 10027692						Environmental protection acc. to STAB-Spec. 10005649											
DE: X	EN: X	ES:	IT:	PR:	FR:	RO: X	CAD created document; handwritten changes not permitted			Material:	All dimensions are in mm						
new	(5°); no technical change, no new first sample required					Tab XVI; no technical change, no new first sample required			*	Marking of special characteristics according to STAB-Spec. 10270932							
old	5°					Tab IV;			Scale:	Dimensions without tolerances							
Field	B/6-7					F 8			(Original DIN A3)	2:1							
Date/Name	08.04.2021 Hein					12.08.2021 Donat			Edge tolerances acc. to DIN ISO 13715	DIN ISO 2768-mK							
Chg. No.	696948					699704			Surface finish	DIN EN ISO 1302							
Rev.	13					13			Replaces:	We reserve all rights to this document, to any patents or patent registrations related hereto, and to the duplication, retransmission by third parties and misc. use. Any use of this document is not permitted without the written consent of STABILUS.							
						<b>STABILUS</b>						<b>PISTON ROD</b>					
												Document No.: 10151520					
												Material No.:					