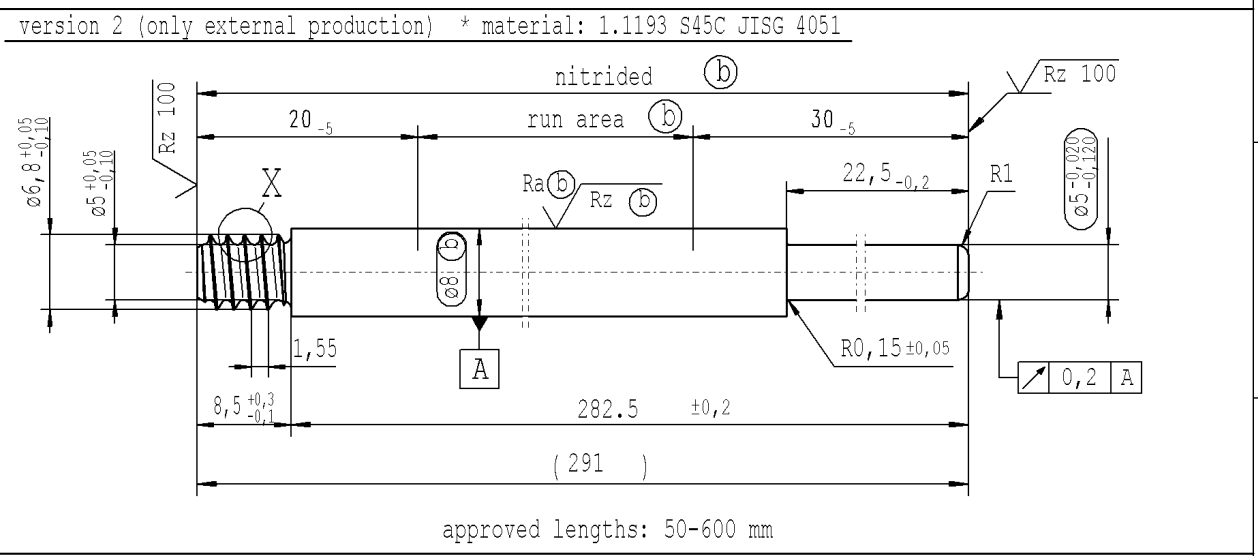
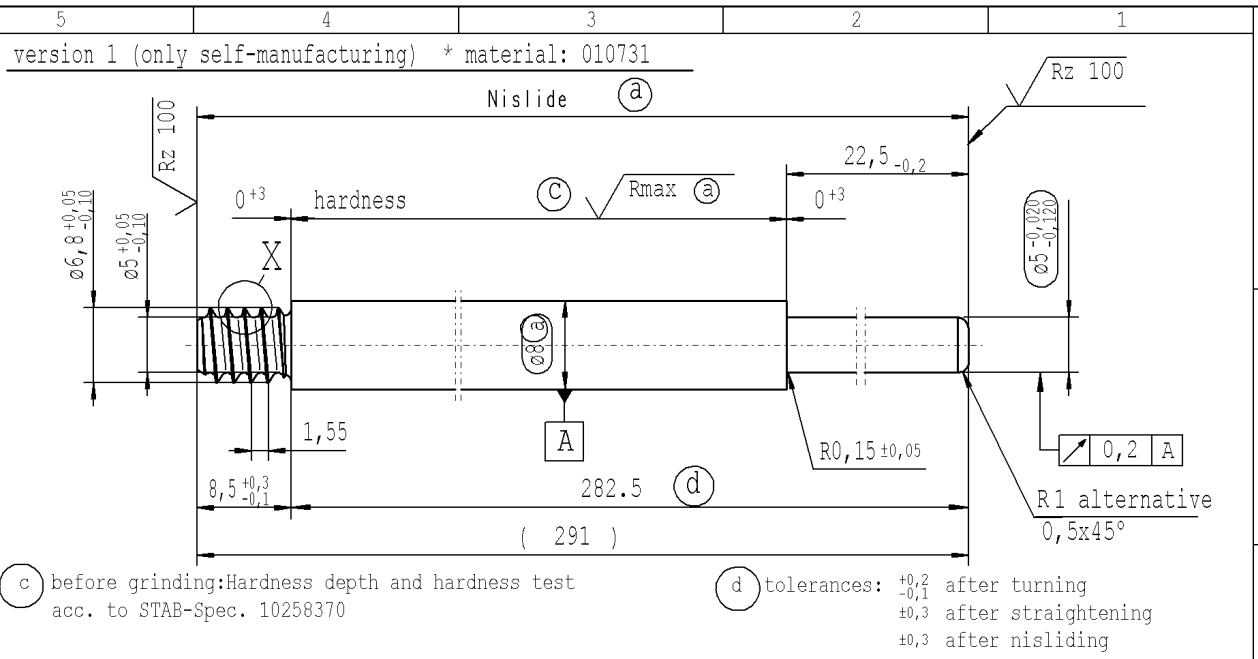


The print-out is not subject to the modification service.

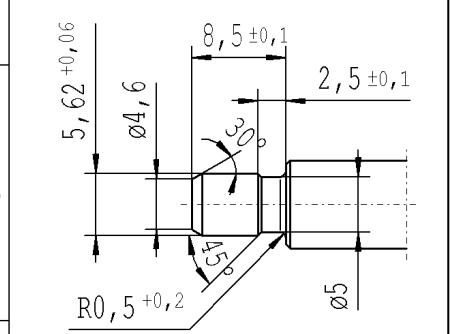
Intended for internal and supplier use

Ident. Doc.:
Brevéldatum: 11/11/2021 - 10-8

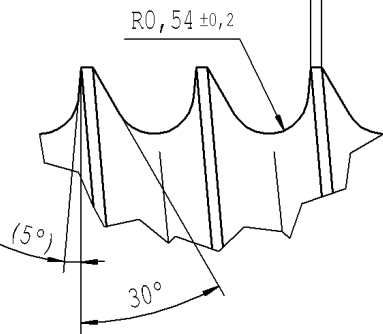
supp No.	material no.			A	E
	10006248 Tab. XVI optimized version 1	10006248 Tab. X version 1	10028959 Tab. I version 2	overall length	length without endfitting stud
23	612368	612368	612368	201	192.5
24	612846	612846	612846	231	222.5
25	613802	613802	613802	249	240.5
26	618343	618343	618343	324	315.5
27	640331	640331	640331	135	126.5
28	640809	640809	640809	171	162.5
29	643438	643438	643438	216	207.5
30	644633	644633	644633	138	129.5
31	648218	648218	648218	297	288.5
32	658973	658973	658973	105	96.5
33	660407	660407	660407	111	102.5
34	675703	675703	675703	192	183.5
35	676181	676181	676181	252	243.5
36	684785	684785	684785	237	228.5
37	685263	685263	685263	285	276.5
38	685741	685741	685741	132	123.5
39	702471	702471	702471	204	195.5
40	708685	708685	708685	291	282.5
41	714182	714182	714182	261	252.5



pre-worked: (only self-manufacturing)



X 10:1



AIAG CQI-standards acc. to STAB-Spec. 10027692

DE: X	EN: X	ES:	IT:	PR:	FR:	RO: X	CAD created document handwritten changes not permitted
new	Tab XVI no technical change, no new first sample required			no technical change, no new first sample required			
old	Tab IV			Tab XVI			
Field	F 8			F 7			
Date/Name	12.08.2021 Donat			14.09.2021 Donat			
Chg. No.	699704			700848			
Rev.	7			7			

Material:	*
Edge tolerances acc. to DIN ISO 13715	
Surface finish	DIN EN ISO 1302
Replaces:	
STABILUS	

Environmental protection acc. to STAB-Spec. 10005649	
All dimensions are in mm	Marking of special characteristics according to STAB-Spec. 10270932
Scale: (Original DIN A3) 2:1	Dimensions without tolerances DIN ISO 2768-mK
We reserve all rights to this document, to any patents or patent registrations related hereto, and to the duplication, retransmission by third parties and misc. use. Any use of this document is not permitted without the written consent of STABILUS.	
Document No.:	10154879
Material No.:	

sheet 2 of 3			
Date	29.04.2008	Name	Hein
Checked	14.09.2021	Milles	