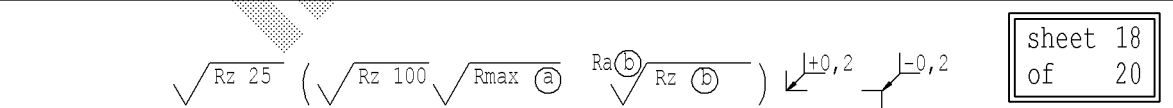
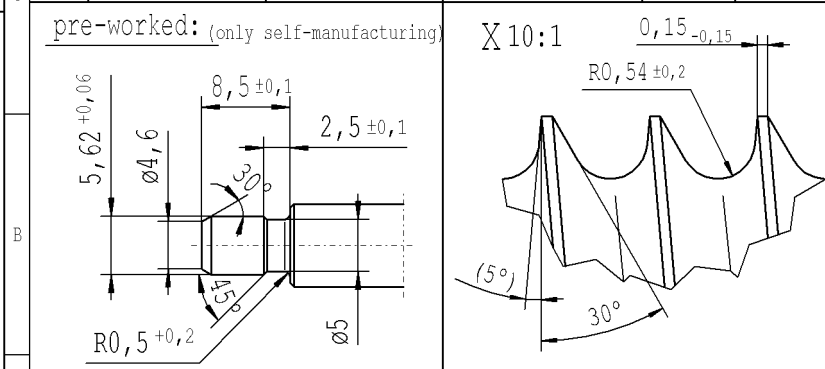
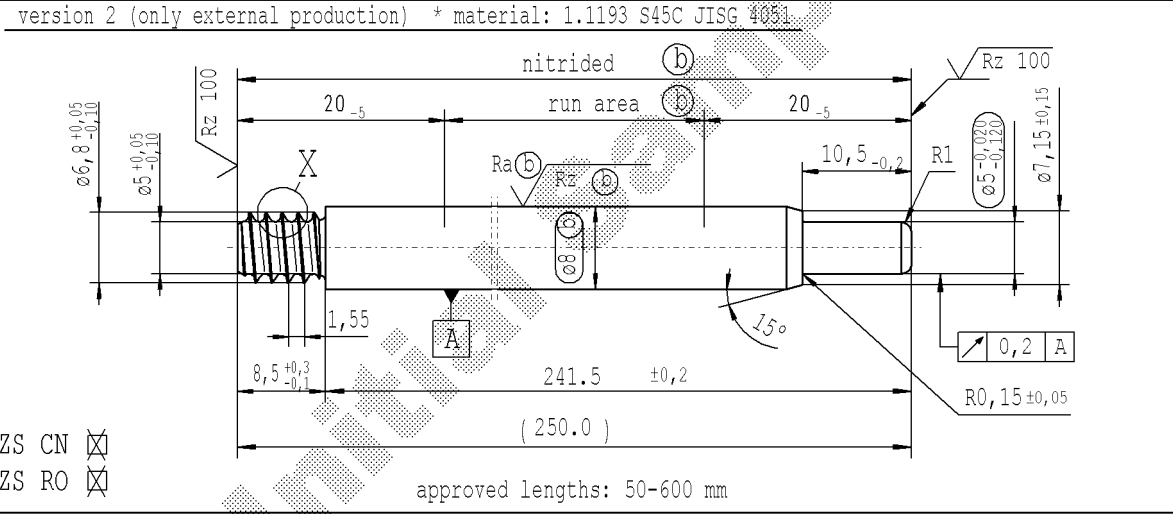
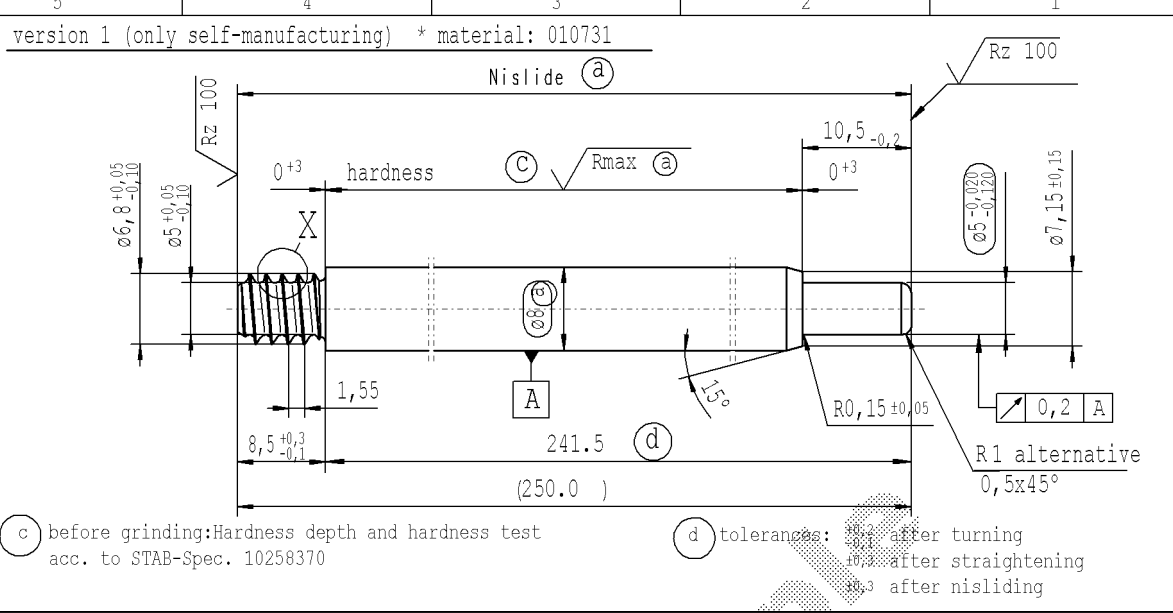


The print-out is not subject to the modification service.

Intended for internal and supplier use

Ident. Doc.: EFFE11.dwg: 31/03/2022 - 7:15

supp No.	material no.			A	E
	10006248 Tab. XVI optimized version 1	10006248 Tab. X version 1	10028959 Tab. I version 2		
366	131741	131741	131741	218.5	210.0
367	140106	140106	140106	221.0	212.5
368	145125	145125	145125	225.0	216.5
369	158987	158987	158987	236.0	227.5
370	165201	165201	165201	218.0	209.5
371	172610	172610	172610	250.0	241.5
372	179541	179541	179541	143.5	135.0
373	182887	182887	182887	255.5	247.0
374	185277	185277	185277	172.0	163.5
375	191969	191969	191969	286.5	278.0
376	193164	193164	193164	277.0	268.5
377	207982	207982	207982	244.5	236.0
378	231882	231882	231882	165.5	157.0
379	235467	235467	235467	290.5	282.0
380	236901	236901	236901	121.0	112.5
381	255543	255543	255543	302.5	294.0
382	257216	257216	257216	265.5	257.0
383	280638	280638	280638	307.5	299.0
384	281116	281116	281116	361.0	352.5



sheet 18  
of 20

DE: X				EN: X				ES:				IT:				PR: X				FR:				RO: X				Material: *				All dimensions are in mm				Marking of special characteristics according to STAB-Spec. 10270932				Date				Name			
new				Tab XVI no technical change, no new first sample required				ZS CN / ZS RO no technical change, no new first sample required				CAD created document handwritten changes not permitted				Edge tolerances acc. to DIN ISO 13715				Surface finish DIN EN ISO 1302				Replaces:				Scale: (Original DIN A3) 2:1				Dimensions without tolerances DIN ISO 2768-mK				Drawn by 05.12.2007 Höfer				Checked 11.03.2022 Klünkner							
old				Tab IV																																											
Field				F 8				B/5																																							
Date/Name				12.08.2021 Donat				10.03.2022 Hein																																							
Chg. No.				699704				707979																																							
Rev.				21				21																																							

**STABILUS**

PISTON ROD

Document No.:  
**10151065**