

The print-out is not subject to the modification service.

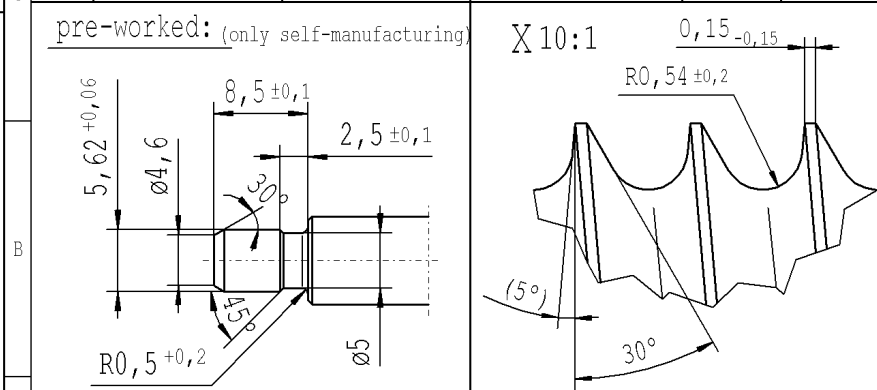
Intended for internal and supplier use

EN

Brevellatum: 30/11/2021 - 9:50

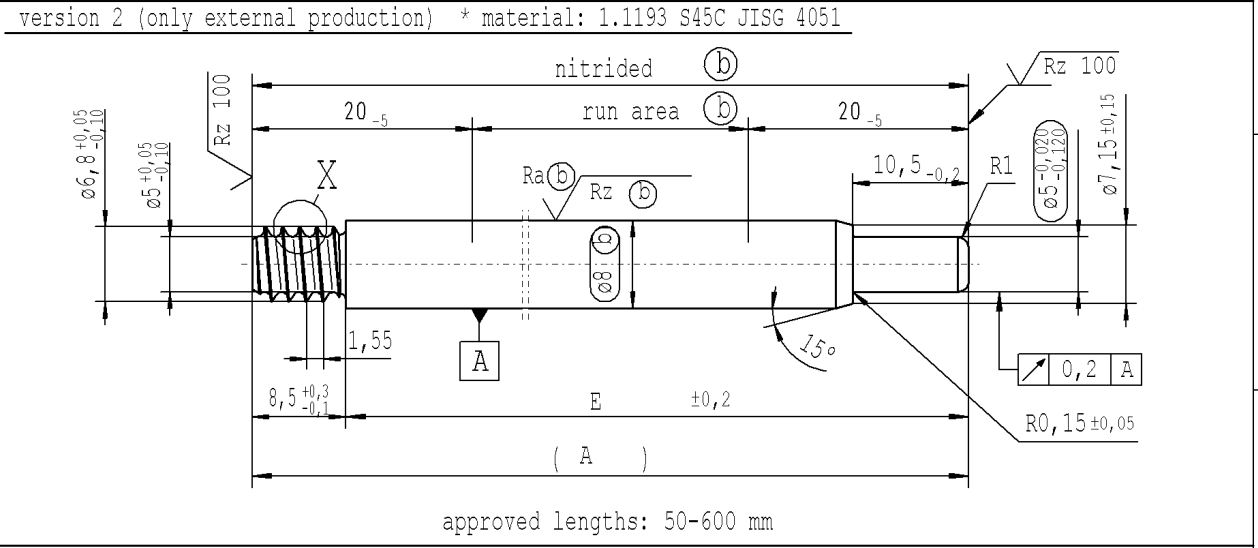
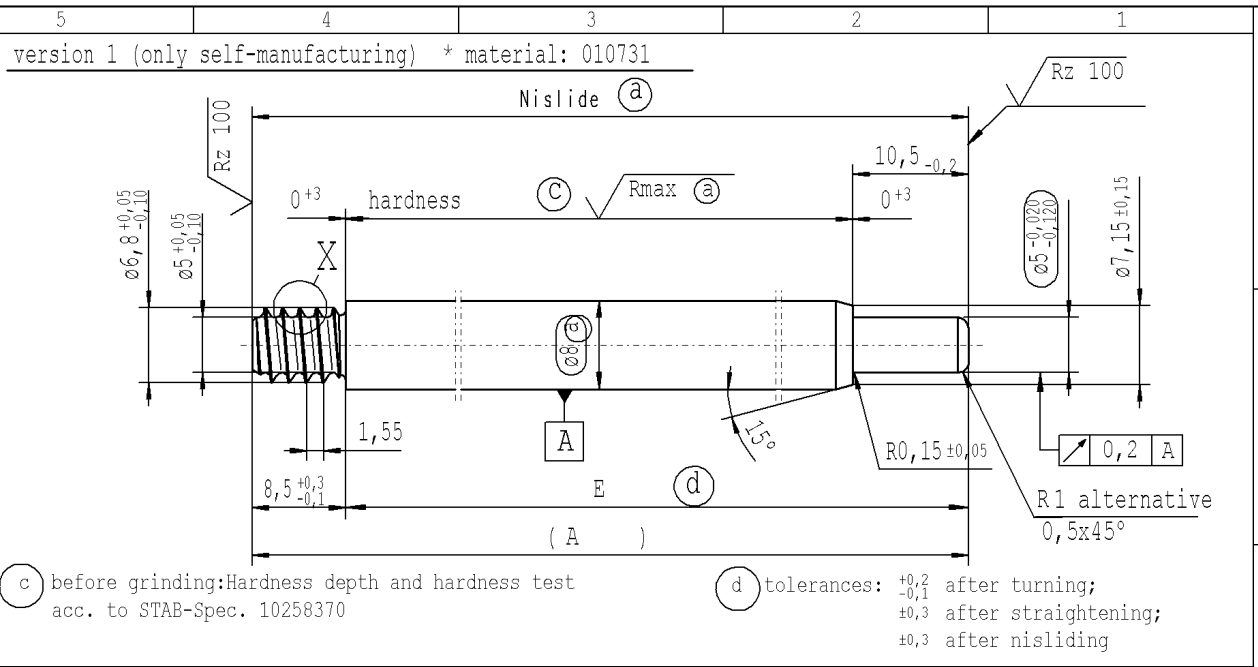
Ident. Doc.:

supp No.	material no.			A	E
	10006248 Tab. XVI optimized version 1	10006248 Tab. X version 1	10028959 Tab. I version 2	overall length	length without unfitting stud
263	536587	536587	536587	282.0	273.5
264	575066	575066	575066	109.5	101.0
265	844420	844420	844420	196.5	188.0
271	432150	432150	432150	380.0	371.5
272	508630	508630	508630	251.5	243.0
273	658244	658244	658244	298.0	289.5
274	798298	798298	798298	239.0	230.5
275	798776	798776	798776	282.5	274.0
277	301896	301896	301896	235.5	227.0
278	302613	302613	302613	190.5	182.0
279	153717	153717	153717	99.0	90.5
281	658725	658725	658725	342.0	333.5
283	656101	656101	656101	96.0	87.5
284		520112	520112	195.0	186.5
285	384361	384361	384361	318.0	309.5
286	629336	629336	629336	328.0	319.5
287	629814	629814	629814	330.0	321.5
288	632443	632443	632443	60.0	51.5
289	637701	637701	637701	375.0	366.5



AIAG CQI-standards acc. to STAB-Spec. 10027692

DE: X	EN: X	ES:	IT:	PR: X	FR:	RO: X	CAD created document; handwritten changes not permitted
new	(5°); no technical change, no new first sample required		Tab XVI; no technical change, no new first sample required				
old	5°		Tab IV;				
Field	B/6-7		F 8				
Date/Name	31.03.2021 Hein		12.08.2021 Donat				
Chg. No.	696924		699704				
Rev.	21		21				



approved lengths: 50-60 mm

sheet 13 of 16

Environmental protection acc. to STAB-Spec. 10005649

Material:	*	All dimensions are in mm	Marking of special characteristics according to STAB-Spec. 10270932	Date	05.12.2007	Name	Höfer
Scale:	(Original DIN A3) 2:1	Dimensions without tolerances	DIN ISO 2768-mK	Checked	12.08.2021	Milles	
Edge tolerances acc. to DIN ISO 13715		We reserve all rights to this document, to any patents or patent registrations related hereto, and to the duplication, retransmission by third parties and misc. use. Any use of this document is not permitted without the written consent of STABILUS.		Document No.:	10151065		
Surface finish	DIN EN ISO 1302			Material No.:			
Replaces:				STABILUS			
				PISTON ROD			