

The print-out is not subject to the modification service.

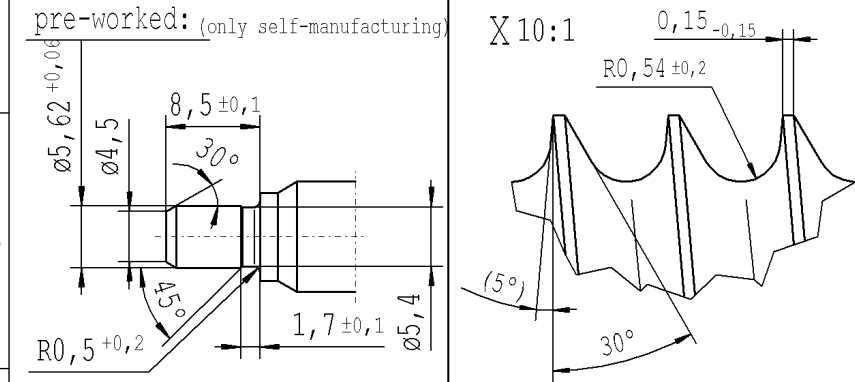
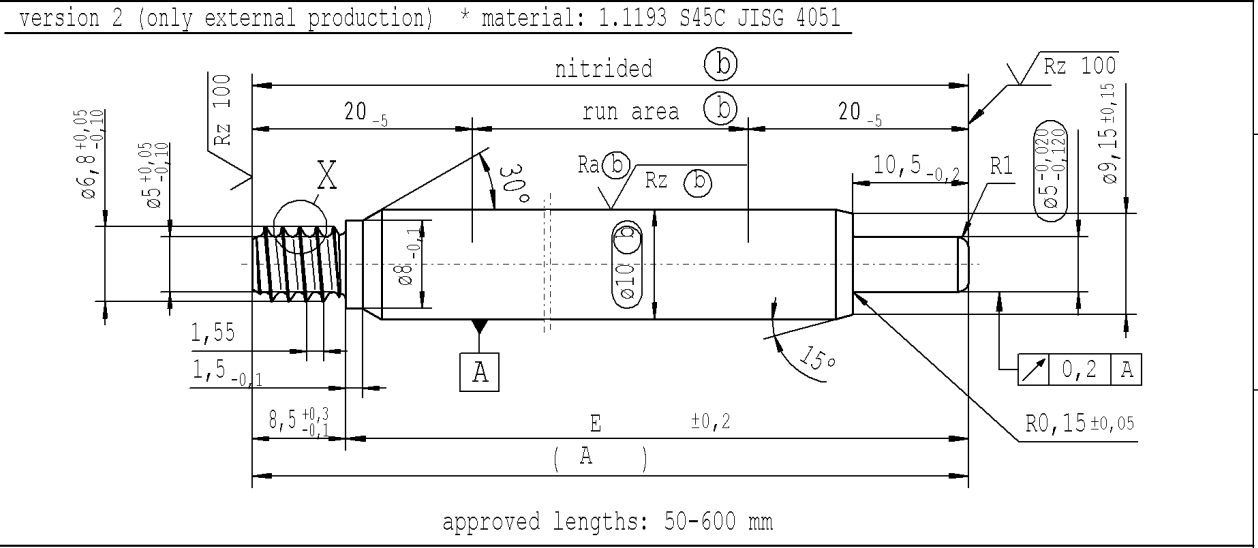
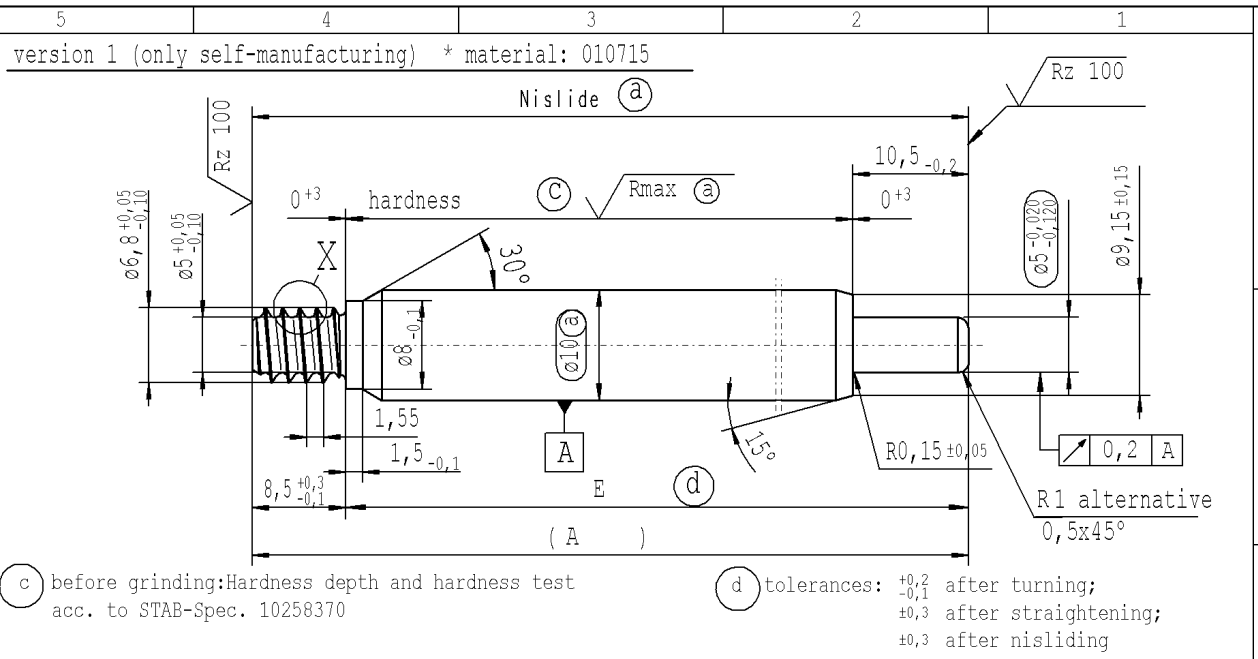
Intended for internal and supplier use

EN

Brevell Datum: 3/12/2021 - 7:10

Ident. Doc.:

supp No.	material no.			A	E
	processing and surface treatment acc. to STAB-Spec. 10006248 Tab. XVI optimized version 1	10006248 Tab. X version 1	10028959 Tab. I version 2	overall length	length without endfitting stud
123	803328	803328	803328	420.0	411.5
124	822448	822448	822448	495.0	486.5
125	822926	822926	822926	456.0	447.5
126	832247	832247	832247	438.0	429.5
127	840134	840134	840134	447.0	438.5
128	847304	847304	847304	360.0	351.5
129	849694	849694	849694	408.0	399.5
130	850172	850172	850172	471.0	462.5
131	101865	101865	101865	90.0	81.5
132	158269	158269	158269	210.0	201.5
133	178823	178823	178823	153.0	144.5



AIAG CQI-standards acc. to STAB-Spec. 10027692							Environmental protection acc. to STAB-Spec. 10005649					
DE: X	EN: X	ES:	IT:	PR:	FR:	RO: X	Material: *	All dimensions are in mm	Marking of special characteristics according to STAB-Spec. 10270932	Date	Name	
CAD created document; handwritten changes not permitted										Drawn by	17.12.2007	C.Hein
new	(5°); no technical change, no new first sample required						Tab XVI; no technical change, no new first sample required	Edge tolerances acc. to DIN ISO 13715	Scale: (Original DIN A3) 2:1	Dimensions without tolerances DIN ISO 2768-mK	Checked	Milles
old	5°						Tab IV;				Document No.:	10151520
Field	B/6-7						F 8	Surface finish DIN EN ISO 1302	We reserve all rights to this document, to any patents or patent registrations related hereto, and to the duplication, retransmission by third parties and misc. use. Any use of this document is not permitted without the written consent of STABILUS.	Material No.:		
Date/Name	08.04.2021 Hein						12.08.2021 Donat					
Chg. No.	696948						699704	Replaces:				
Rev.	13						13		STABILUS		PISTON ROD	

sheet 7 of 7