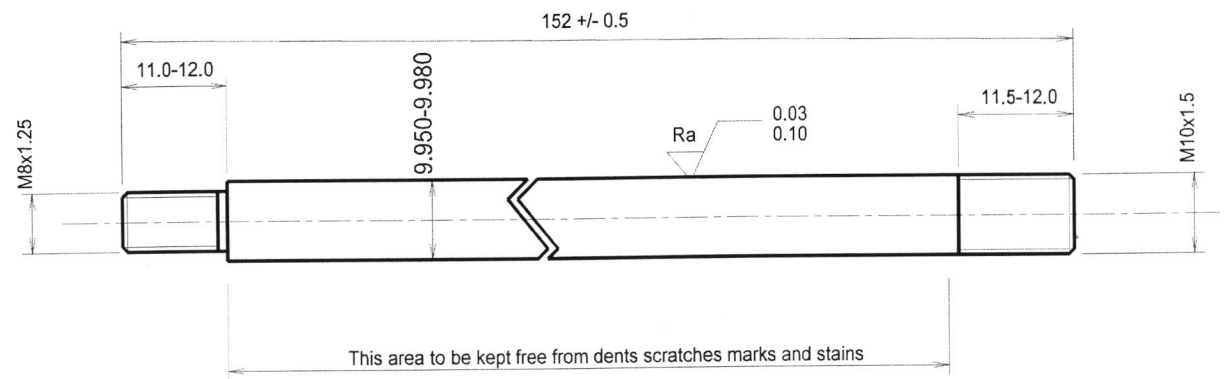


PROJECTION		TOLERANCES (UOS)		Dimensions in mm		© Gas Strut Engineering		Drawn By: MJL	Revision	Description	Date	Approved
		Lin: +/- 0.10 Ang: +/- 0.5 deg		Original Scale: N.T.S.		<small>This drawing is the property of GSE and should not be communicated to any third party without written consent</small>		Date: 01/09	A	rod dia was 9.965-9.995	10/17	ML



Break all sharp edges



Material: Steel EN8M	Title: Piston Rod size 10-28 100 for Rhino
Finish: Nitride	Drawing Number: 10-01-05