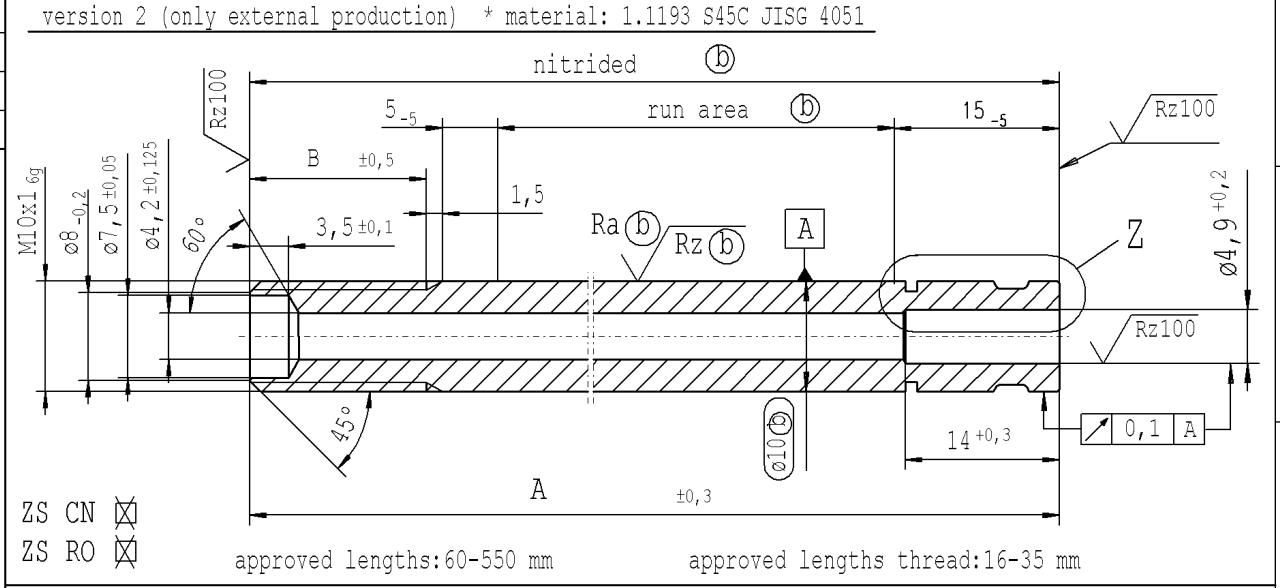
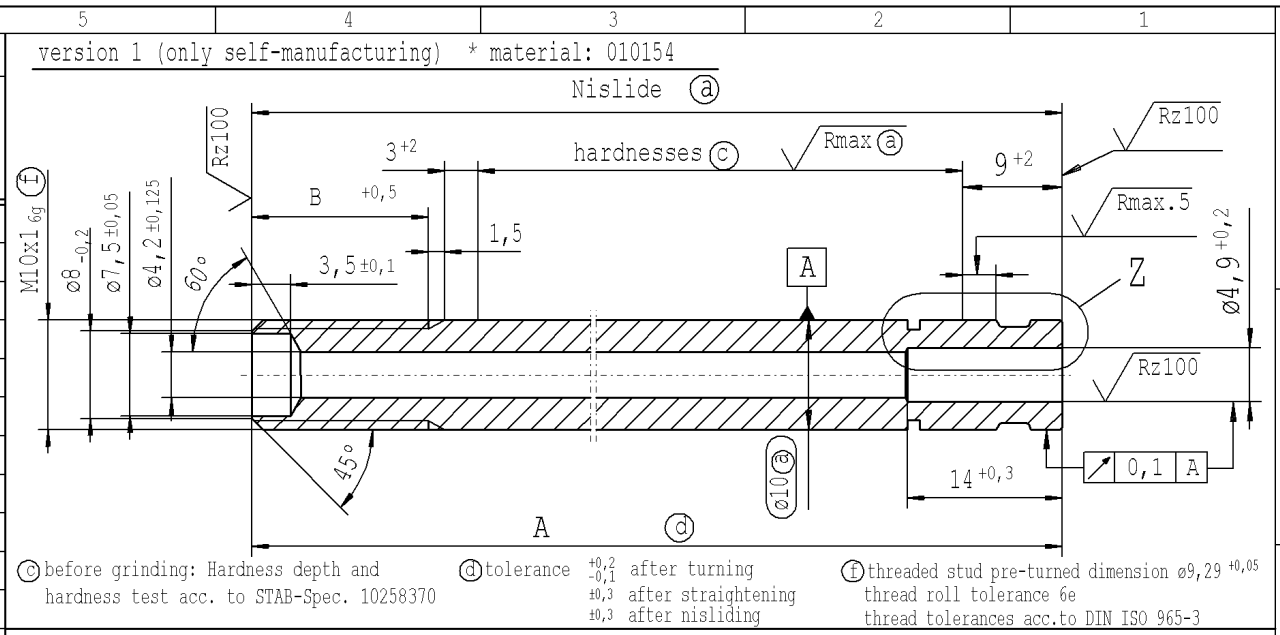


The print-out is not subject to the modification service.

Intended for internal and supplier use

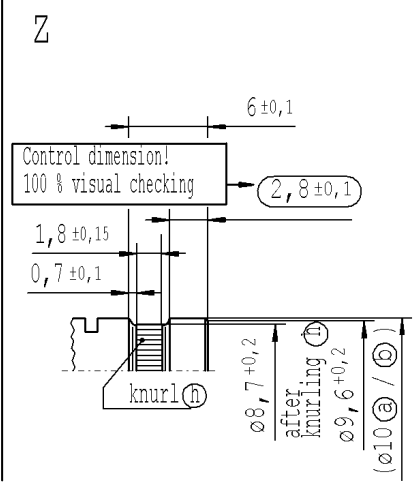
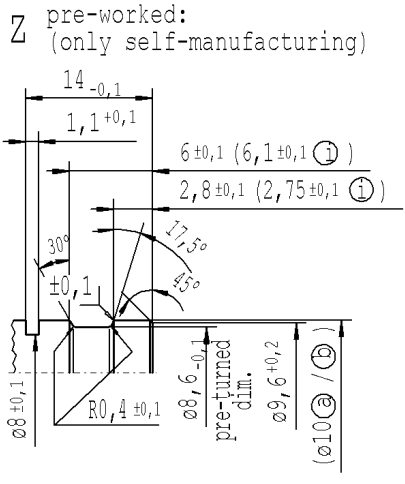
Ident. Doc.:

supp No.	material no.			A	B
	processing and surface treatment acc. to STAB-Spec.:			overall length	stud length end-fitting side
	10006248 Tab. IV	10006248 Tab. X	10028959 Tab. I		
	(a) version 1	(a) version 1	(b) version 2		
1	477336	477336		176.5	16



100% cleanliness of through hole

sheet 1 of 1



AIAG CQI-standards acc. to STAB-Spec. 10027692										Environmental protection acc. to STAB-Spec. 10005649									
DE: X	EN: X	ES:	IT:	PR:	FR:	RO: X	CAD created document; handwritten changes not permitted			Material:	*	All dimensions are in mm		Marking of special characteristics according to STAB-Spec. 10270932		Date	31.05.2022	Name	Hein
new	INITIAL RELEASE						Edge tolerances acc. to DIN ISO 13715			Scale:	2:1	Dimensions without tolerances (Original DIN A3) DIN ISO 2768-mK		Drawn by	06.06.2022	Tilea			
old	-						Surface finish	DIN EN ISO 1302		Replaces:		We reserve all rights to this document, to any patents or patent registrations related hereto, and to the duplication, retransmission by third parties and misc. use. Any use of this document is not permitted without the written consent of STABILUS.		Checked			Document No.:	10307861	
Field	-																Material No.:		
Date/Name	31.05.2022 Hein																		
Chg. No.	-																		
Rev.	0																		