

The print-out is not subject to the modification service.

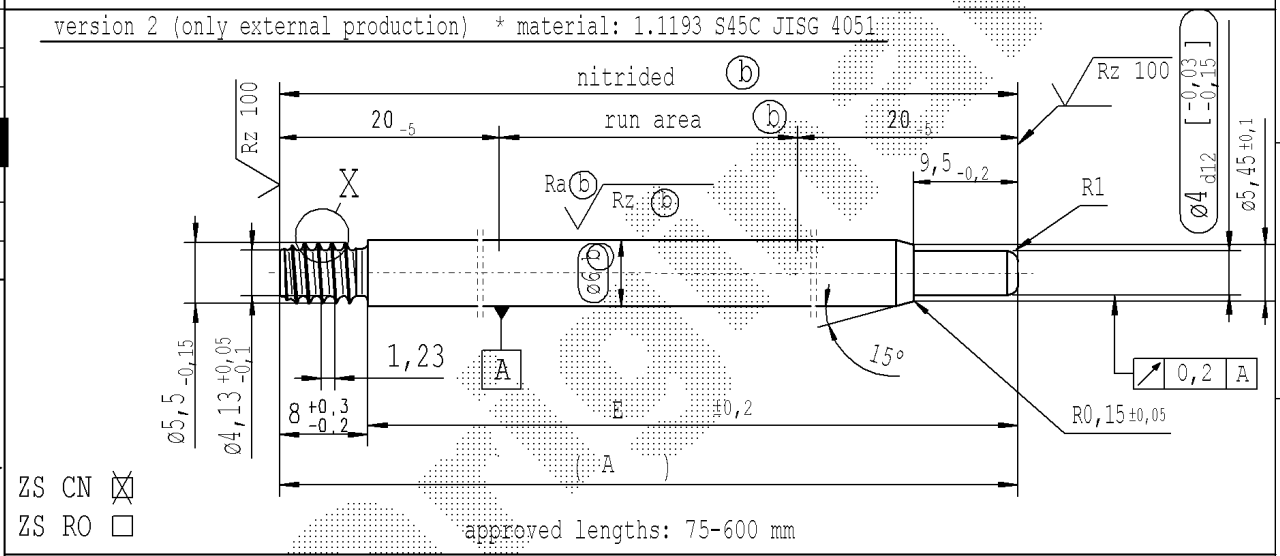
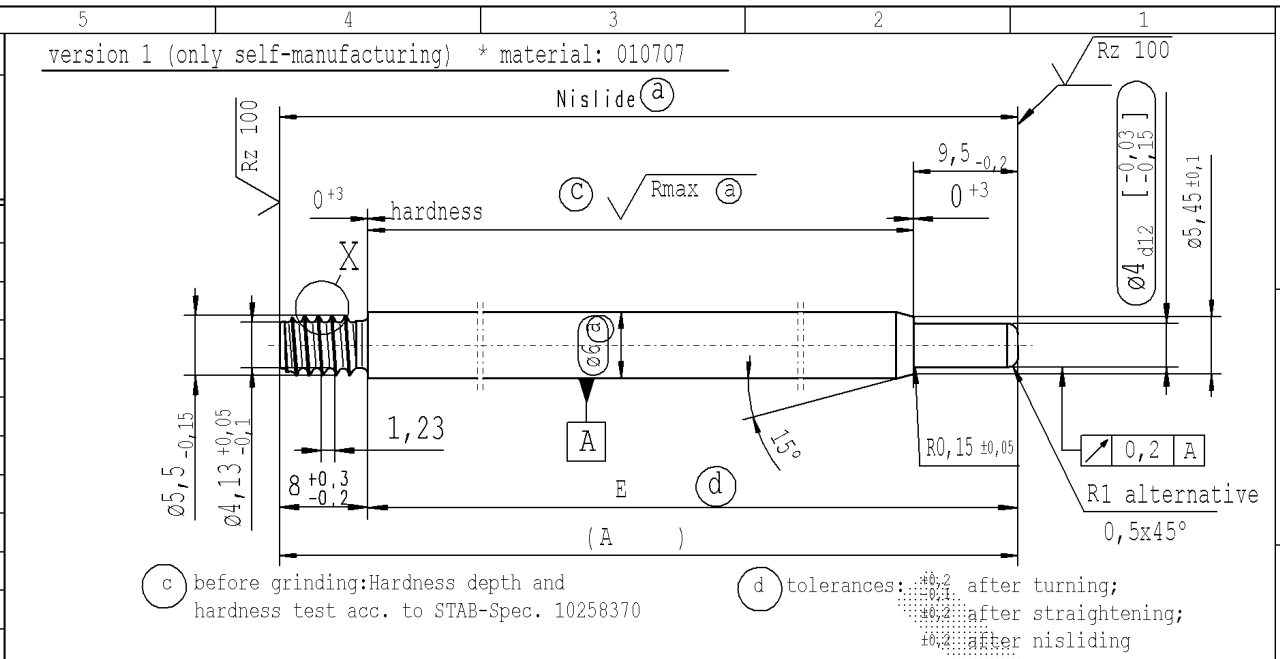
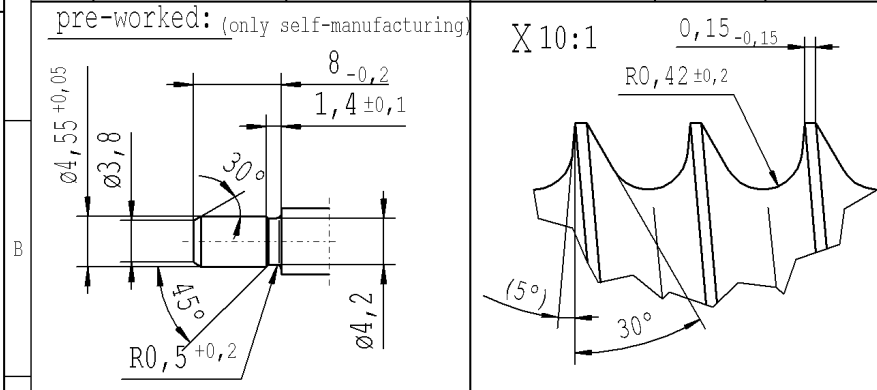
Intended for internal and supplier use

EN

Brevell Datum: 17/10/2022 - 11:47

Ident. Doc.:

| supp No. | material no.  |                              |                              | A              | E                              |
|----------|---|------------------------------|------------------------------|----------------|--------------------------------|
|          | processing and surface treatment acc. to STAB-Spec. |                              |                              | overall length | length without endfitting stud |
|          | 10006248 Tab. XVI optimized<br>version 1            | 10006248 Tab. X<br>version 1 | 10028959 Tab. I<br>version 2 |                |                                |
| 41       | 827465  | 827465                       | 827465                       | 137.5          | 129.5                          |
| 42       | 500514  | 500514                       | 500514                       | 198.0          | 190.0                          |
| 43       | 522263  | 522263                       | 522263                       | 162.0          | 154.0                          |
| 44       | 524414  | 524414                       | 524414                       | 119.0          | 111.0                          |
| 45       | 524892  | 524892                       | 524892                       | 84.0           | 76.0                           |
| 46       | 544490  | 544490                       | 544490                       | 156.0          | 148.0                          |
| 47       | 553333  | 553333                       | 553333                       | 143.5          | 135.5                          |
| 48       | 576994  | 576994                       | 576994                       | 190.0          | 182.0                          |
| 49       | 590856  | 590856                       | 590856                       | 108.0          | 100.0                          |
| 50       | 595158  | 595158                       | 595158                       | 168.0          | 160.0                          |
| 51       | 604479  | 604479                       | 604479                       | 173.0          | 165.0                          |
| 52       | 636745  | 636745                       | 636745                       | 66.0           | 58.0                           |
| 53       | 134130  | 134130                       | 134130                       | 97.5           | 89.5                           |
| 54       | 174522  | 174522                       | 174522                       | 150.0          | 142.0                          |
| 55       | 937412  | 937412                       | 937412                       | 80.0           | 72.0                           |
| 56       | 953664  | 953664                       | 953664                       | 132.0          | 124.0                          |
| 57       | 965853  | 965853                       | 965853                       | 59.0           | 51.0                           |
| 58       | 983539  | 983539                       | 983539                       | 136.5          | 128.5                          |
| 59       | 984734  | 984734                       | 984734                       | 105.0          | 97.0                           |



AIAG CQI-standards acc. to STAB-Spec. 10027692 Environmental protection acc. to STAB-Spec. 10005649

|           |   |     |  |     |     |       |   |                                       |  |   |          |               |
|-----------|---|-----|--|-----|-----|-------|---|---------------------------------------|--|---|----------|---------------|
| DE: X     | EN: X   | ES: | IT:  | PR: | FR: | RO: X | CAD created document; handwritten changes not permitted | Material: *                           | All dimensions are in mm   | Marking of special characteristics according to STAB-Spec. 10270932 | Date     | Name          |
| new       | approved lengths: 75-600mm; (5°); ZS CN / ZS RO |     | Tab.XVI; Tab. X; no technical change, no new first sample required |     |     |       |   |                                       | Scale: (Original DIN A3) 2:1   | Dimensions without tolerances DIN ISO 2768-mK                       | Drawn by | Höfer         |
| old       | approved lengths: 80-600mm; 5°                  |     | Tab.IV   |     |     |       |   | Edge tolerances acc. to DIN ISO 13715 |  |   | Checked  | Schnass       |
| Field     | B/3-4; B/5-7                                    |     |  |     |     |       |   | Surface finish DIN EN ISO 1302        | We reserve all rights to this document, to any patents or patent registrations related hereto, and to the duplication, retransmission by third parties and misc. use. Any use of this document is not permitted without the written consent of STABILUS. |   |          | Document No.: |
| Date/Name | 08.09.2022 Hejn                                 |     | 10.10.2022 Jablonski   |     |     |       |   | Replaces:                             |  |   |          | 10151336      |
| Chg. No.  | 692998  |     | 715956   |     |     |       |   |                                       |  |   |          | Material No.: |
| Rev.      | 11  |     | 11   |     |     |       |   | <b>STABILUS</b>                       | <b>PISTON ROD</b>  |   |          |               |

sheet 3 of 4