

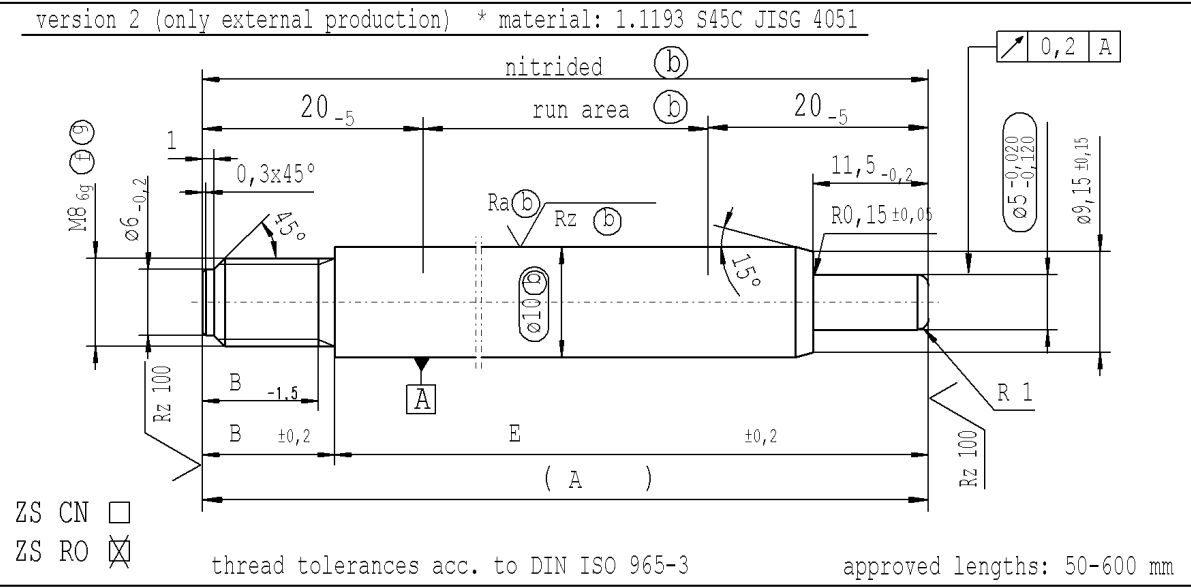
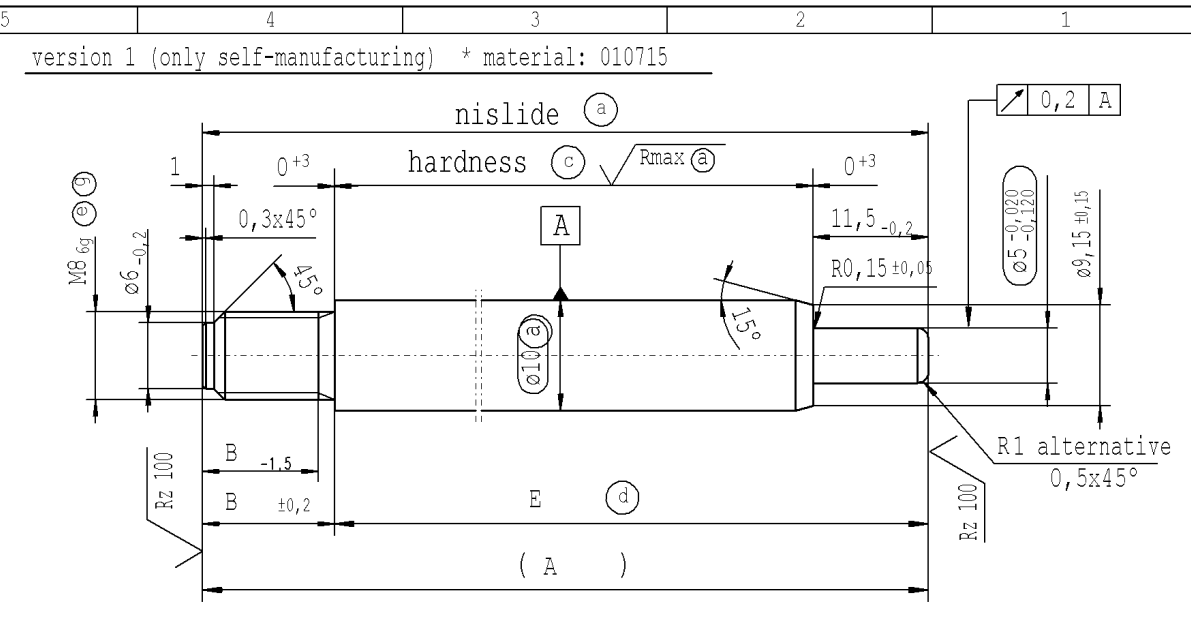
The print-out is not subject to the modification service.

Intended for internal and supplier use

EN

Ident. Doc.:
Brevi. Datum: 26/12/2022 - 8:30

8	7	6	5	4	3	2	1
supp. No.	material no.		A	B	E		
processing and surface treatment acc. to STAB-Spec.			overall length	thread length	length without end-fitting stud		
10006248 Tab. XVI optimized (a)	10006248 Tab. X (a)	10028959 Tab. I (b)	version 1	version 2			
1	243594	243594	243594	333	12	321	



ZS CN
ZS RO

thread tolerances acc. to DIN ISO 965-3 approved lengths: 50-600 mm

$\sqrt{Rz\ 25}$ ($\sqrt{Rz\ 100}$ $\sqrt{Rmax\ (a)}$ $Ra\ (b)$ $Rz\ (b)$) $\downarrow_{+0,2}$ $\downarrow_{-0,2}$

sheet 1 of 1

(c) before grinding: Hardness depth and hardness test acc. to STAB-Spec. 10258370

(d) tolerances: $+0,2$
 $-0,1$ after turning;
 $+0,3$ after straightening;
 $+0,3$ after nisliding

(e) threaded stud rough-turned dim. $\phi 7,14_{-0,06}$ thread roll tolerance 6e thread tolerances acc. to DIN ISO 965-3

(f) rough-turned dim. thread roll tolerance 6e

(g) In the final condition, the actual profile of the thread must not exceed the maximum material limit for the tolerance zone position h at any point

AIAG CQI-standards acc. to STAB-Spec. 10027692 Environmental protection acc. to STAB-Spec. 10005649

DE: X	EN: X	ES:	IT:	PR:	FR:	RO: X	CAD created document; handwritten changes not permitted		
new	INITIAL RELEASE								
old	-								
Field									
Date/Name	25.04.2022 Hein								
Chg. No.									
Rev.	0								

Material: *

Edge tolerances acc. to DIN ISO 13715

Surface finish DIN EN ISO 1302

Replaces:

STABILUS

All dimensions are in mm

Scale: (Original DIN A3) **2:1**

Environmental protection acc. to STAB-Spec. 10005649

Marking of special characteristics according to STAB-Spec. 10270932

Dimensions without tolerances DIN ISO 2768-mK

We reserve all rights to this document, to any patents or patent registrations related hereto, and to the duplication, retransmission by third parties and misc. use. Any use of this document is not permitted without the written consent of STABILUS.

Document No.: **10306464**

Material No.:

PISTON ROD

Date: 25.04.2022 Name: Hein

Checked: 25.04.2022 Klinkner