

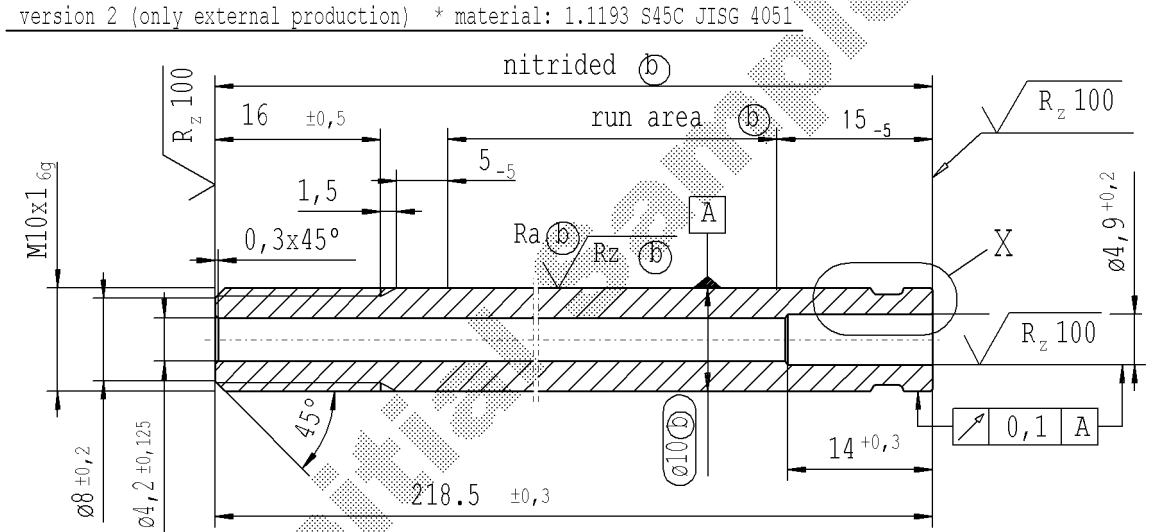
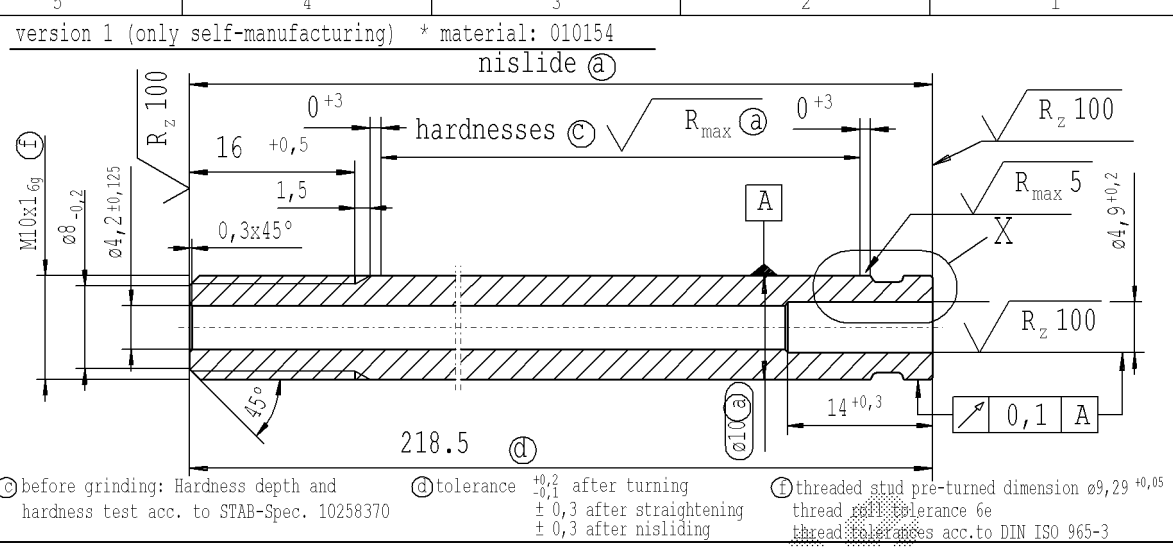
The print-out is not subject to the modification service.

Intended for internal and supplier use

Errata1.docum: 31.07.2022 - 8:48

Ident. Doc.:

supp No.	material no.			A	B
	processing and surface treatment acc. to STAB-Spec.: 10006248 Tab. IV 10006248 Tab. X 10028959 Tab. I	overall length	stud length end-fitting side		
	version 1	version 1	version 2		
17	008887	008887	008887	86.5	16
18	008888	008888	008888	218.5	16
19	008889	008889	008889	248.5	16
20	008890	008890	008890	137.5	16
21	008891	008891	008891	98.5	20
22	565237	565237	565237	99.5	16
23	676853	676853	676853	122.5	16
24	849173	849173	849173	86.5	18
25	077444	077444	077444	215.5	16
26	078878	078878	078878	224.5	16
27	106602	106602	106602	140.5	16
28	277767	277767	277767	341.5	26
29	278723	278723	278723	365.5	16
30	846080	846080	846080	197.5	18
31	846797	846797	846797	245.5	18
32	887905	887905	887905	110.5	20



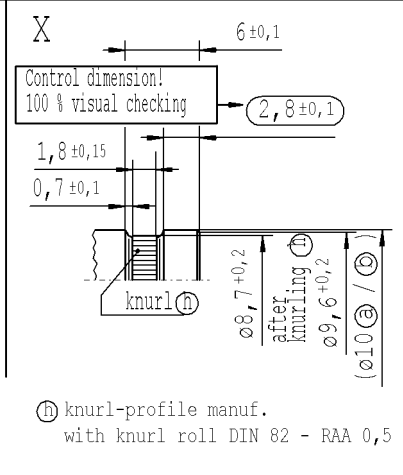
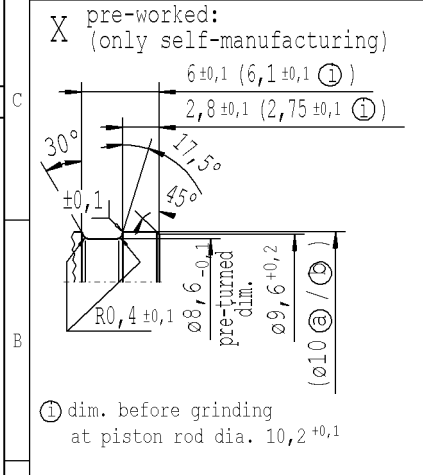
approved lengths: 60-550 mm approved lengths thread: 16-35 mm

100% cleanliness of through hole

$\sqrt{Rz 25}$ ($\sqrt{Rz 100}$ $\sqrt{Rmax 5}$ $\sqrt{Rmax (a)}$ $\sqrt{Ra (b)}$ $\sqrt{Rz (b)}$)

$\begin{matrix} +0,2 & -0,2 & \pm 0,1 \\ \swarrow & \searrow & \swarrow \end{matrix}$

sheet 2 of 15



AIAG CQI-standards acc. to STAB-Spec. 10027692							Environmental protection acc. to STAB-Spec. 10005649				
DE: X	EN: X	ES:	IT:	PR:	FR:	RO: X	Material:	All dimensions are in mm	Marking of special characteristics according to STAB-Spec. 10270932	Date	Name
new	thread roll tolerance 6e			Ⓒ = acc. STAB-Spec. 10258370	new format Internal/Supplier	B ±0,5	*	Scale: (Original DIN A3) 2:1	Dimensions without tolerances DIN ISO 2768-mK	21.01.2008	Höfer
old	thread roll tolerance 6g			Ⓒ = RHT 0,4 0,7 mm	Supplier drawing separately	B ±0,5	Edge tolerances acc. to DIN ISO 13715			24.02.2022	Tilea, N.
Field	B8			C 7-8		D/4	Surface finish DIN EN ISO 1302			Document No.: 10152095	
Date/Name	16.06.2015 Donat			15.05.2019 Donat	25.06.2021 Jablonski	24.02.2022 Hein	Replaces:			Material No.:	
Chg. No.	639400			678703	698250	707230					
Rev.	6			7	8	9	STABILUS			PISTON ROD	