

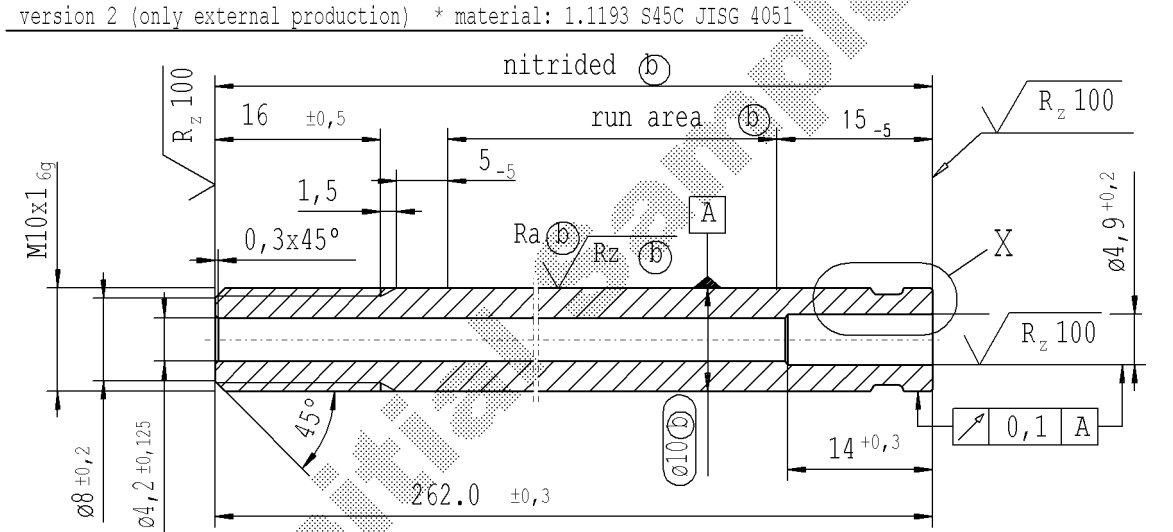
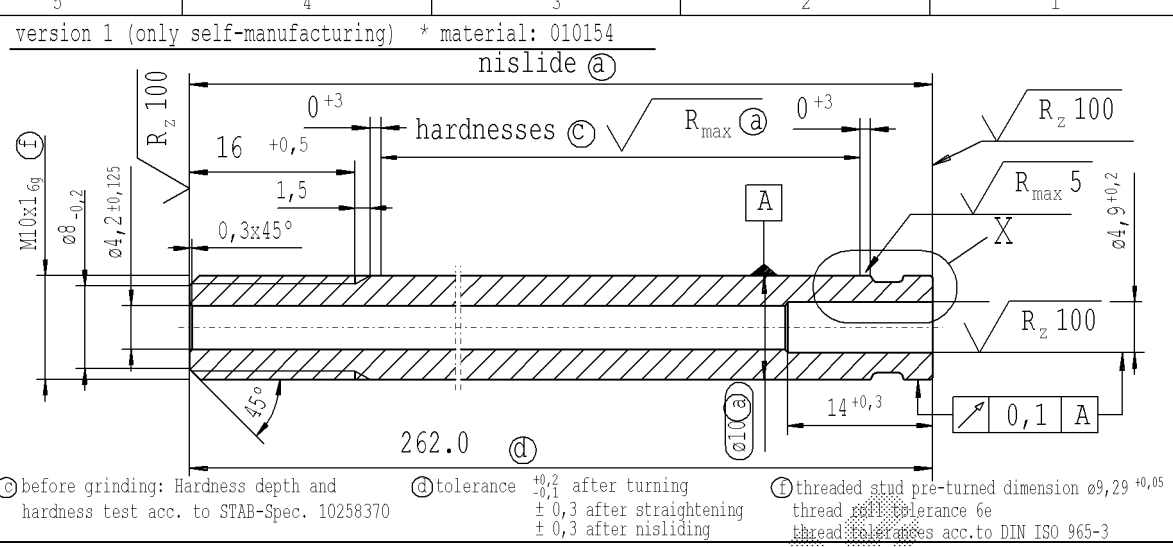
The print-out is not subject to the modification service.

Intended for internal and supplier use

Errata1.docum: 31/07/2022 - 8:48

Ident. Doc.:

supp No.	material no.			A	B
	processing and surface treatment acc. to STAB-Spec.: 10006248 Tab. IV 10006248 Tab. X 10028959 Tab. I	overall length	stud length end-fitting side		
	(a) version 1	(a) version 1	(b) version 2		
97	805243	805243	262.0	16	
98	805721	805721	212.5	16	
99	806438	806438	239.0	16	
100	807872	807872	209.5	16	
101	809545	809545	279.5	16	
102	810262	810262	305.5	16	
103	812652	812652	203.5	16	
104	814803	814803	515.5	16	
105	815520	815520	257.0	16	
106	815998	815998	219.0	16	
107	816476	816476	257.5	16	
108	818149	818149	281.5	16	
109	818866	818866	245.5	16	
110	822212	822212	251.5	16	
111	822690	822690	275.5	16	
112	824124	824124	520.0	16	

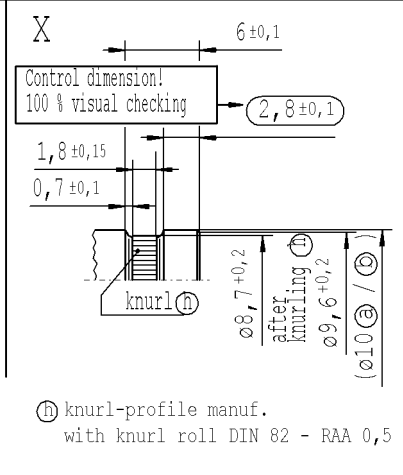
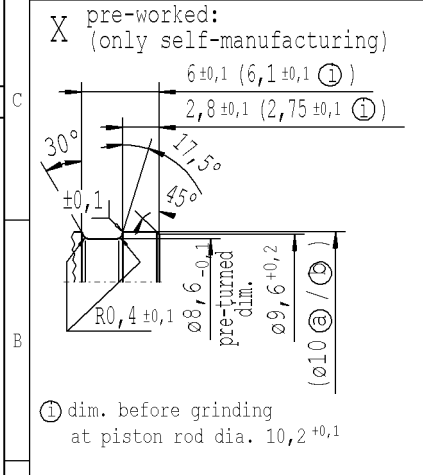


100% cleanliness of through hole

$\sqrt{Rz\ 25}$ ($\sqrt{Rz\ 100}$ $\sqrt{R_{max}\ 5}$ $\sqrt{R_{max}\ (a)}$ $\sqrt{Ra\ (b)}$ $\sqrt{Rz\ (b)}$)

$\begin{matrix} +0,2 & -0,2 & \pm 0,1 \\ \swarrow & \searrow & \swarrow \\ \text{---} & \text{---} & \text{---} \end{matrix}$

sheet 7 of 15



A				AIAG CQI-standards acc. to STAB-Spec. 10027692				Environmental protection acc. to STAB-Spec. 10005649											
DE: X	EN: X	ES:	IT:	PR:	FR:	RO: X	CAD created document handwritten changes not permitted				Material: *	All dimensions are in mm		Marking of special characteristics according to STAB-Spec. 10270932		Date	Name		
new	thread roll tolerance 6e			Ⓒ = acc. STAB-Spec. 10258370	new format Internal/Supplier		B	$\pm 0,5$			Edge tolerances acc. to DIN ISO 13715	Scale: (Original DIN A3) 2:1		Dimensions without tolerances DIN ISO 2768-mK		Drawn by	21.01.2008	Höfer	
old	thread roll tolerance 6g			Ⓒ = RHT 0,4 ... 0,7 mm	Supplier drawing separately		B	$\pm 0,5$			Surface finish DIN EN ISO 1302					Checked	24.02.2022	Tilea, N.	
Field	B8		C 7-8				D/4				Replaces:					Document No.:		10152095	
Date/Name	16.06.2015 Donat		15.05.2019 Donat		25.06.2021 Jablonski		24.02.2022 Hein										Material No.:		
Chg. No.	639400		678703		698250		707230												
Rev.	6		7		8		9												
										STABILUS				PISTON ROD					